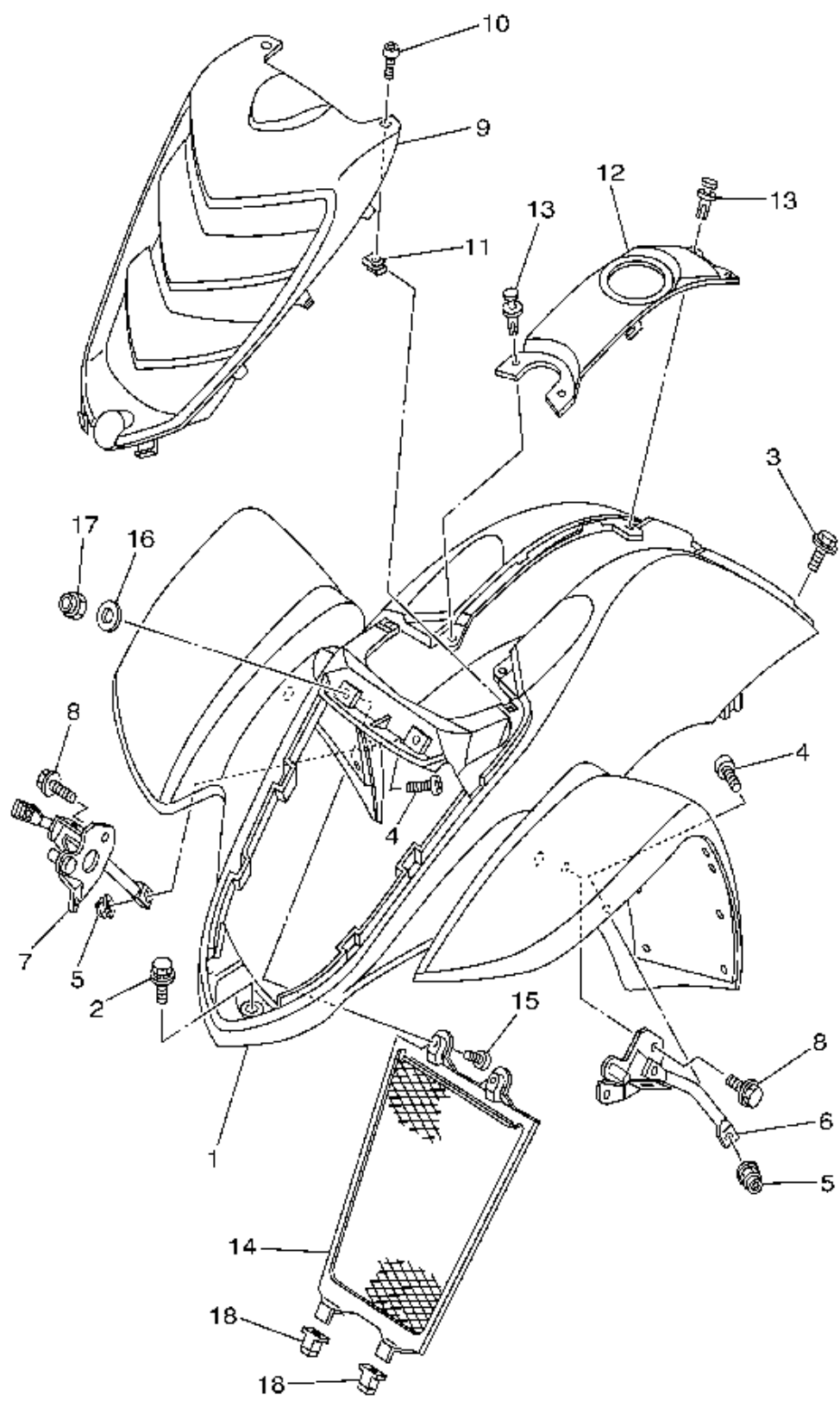
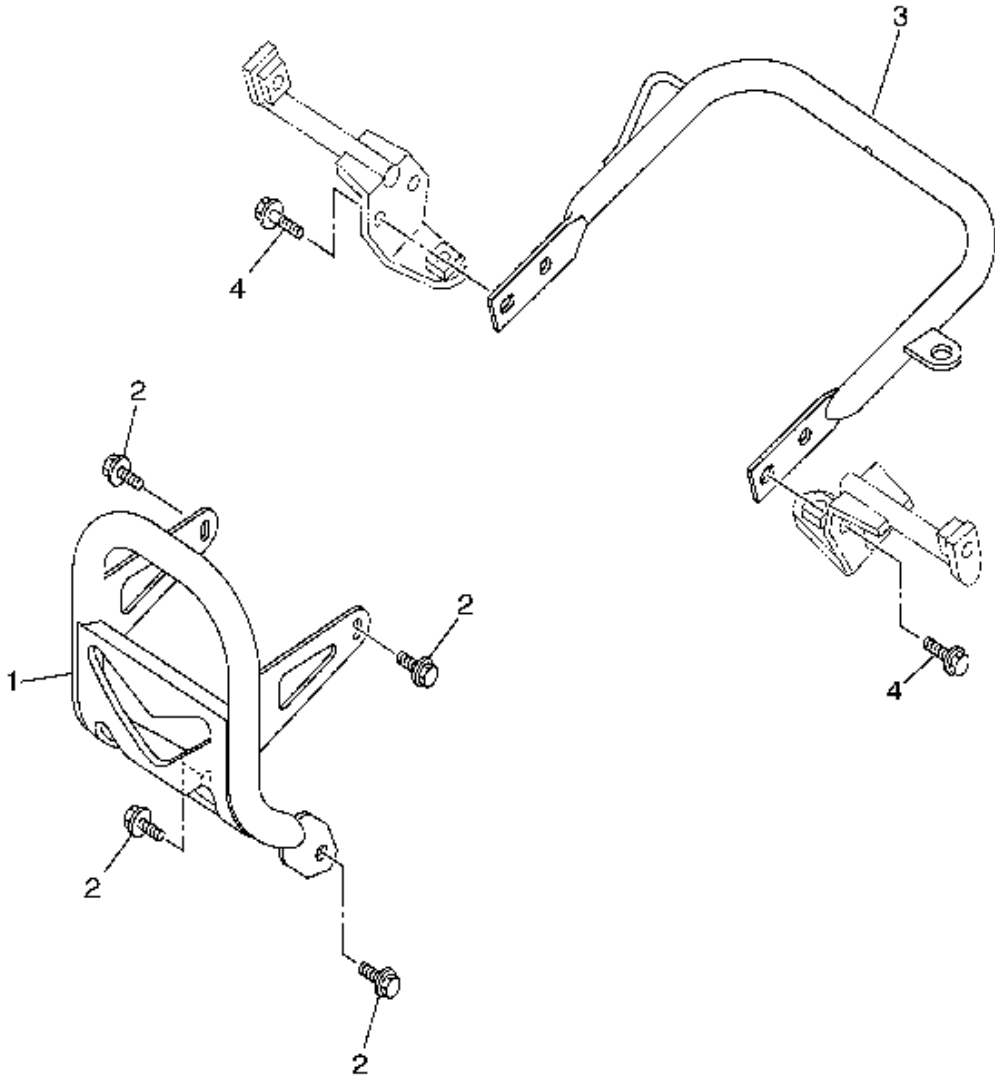


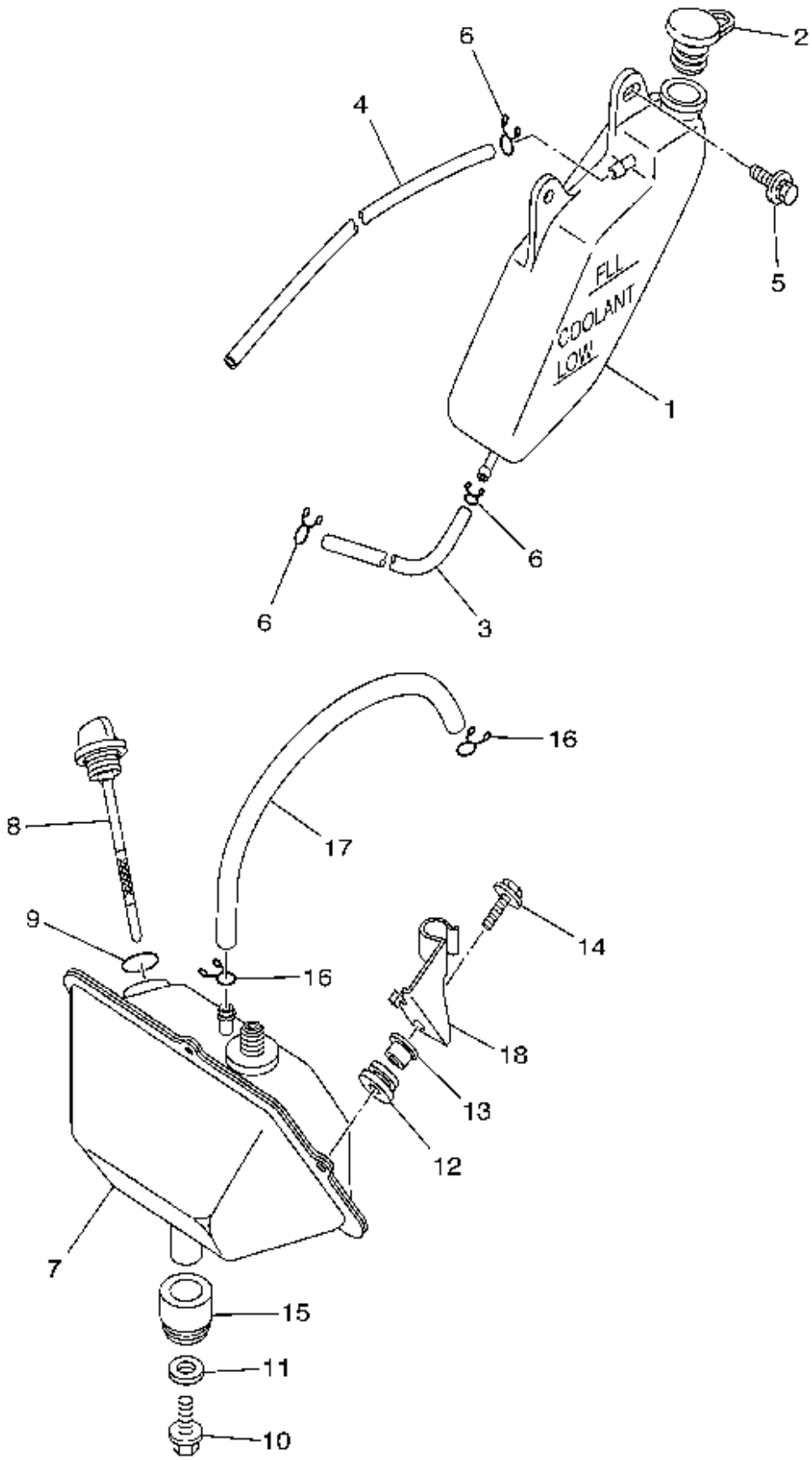
Ref.	Part No.	FRAME DESCRIPTION	REQ	Price Each
1	5LP-21101-09-00	FRONT FRAME COMP(U49)	1	\$588.61
2	5LP-21190-09-00	REAR FRAME COMP (UR DEEP PURPLISH BLUE) (U49)	1	\$348.03
	5LP-21190-19-00	REAR FRAME COMP (UR RADICAL WHITE) (U49)	1	\$348.03
3	92017-10030-00	BOLT, BUTTON HEAD (U49)	4	\$1.87
4	5LP-21244-00-00	NUT (U49)	4	\$1.04
5	5LP-21315-00-00	STAY, ENGINE 2 (U49)	1	\$50.56
6	95817-08014-00	BOLT, FLANGE (U49)	4	\$0.75
7	5LP-21316-00-00	STAY, ENGINE 3 (U49)	1	\$6.12
8	5LP-21317-00-00	STAY, ENGINE 3 (U49)	1	\$6.12
9	95817-10016-00	BOLT, FLANGE (U49)	4	\$0.98
10	95817-10100-00	BOLT, FLANGE (U49)	1	\$2.58
11	90201-10774-00	WASHER, PLATE (U49)	2	\$1.98
12	95607-10200-00	NUT, SELF-LOCKING (U49)	1	\$1.46
13	95817-10100-00	BOLT, FLANGE (U49)	1	\$2.58
14	95607-10200-00	NUT, SELF-LOCKING (U49)	1	\$1.46
15	5LP-21471-00-00	PROTECTOR, ENGINE (U49)	1	\$21.48
16	5LP-21318-00-00	STAY, ENGINE 5 (U49)	1	\$3.72
17	5LP-21314-00-00	STAY, ENGINE 5 (U49)	1	\$2.92
18	95817-10080-00	BOLT, FLANGE (U49)	1	\$2.58
19	95607-10200-00	NUT, SELF-LOCKING (U49)	1	\$1.46
20	95817-06014-00	BOLT, WASHER BASED (U49)	6	\$0.58
21	90201-062A8-00	WASHER, PLATE (U49)	6	\$0.40
22	90387-063F7-00	COLLAR (U49)	6	\$2.60
23	41R-21717-00-00	DAMPER (U49)	2	\$1.60
24	5LP-22178-00-00	TENSIONER (U49)	2	\$13.92
25	93300-60804-00	BEARING (U49)	2	\$10.25
26	90201-086P8-00	WASHER, PLATE (U49)	4	\$2.52
27	90387-08009-00	COLLAR (U49)	2	\$1.00
28	95817-08050-00	BOLT, FLANGE (U49)	2	\$1.78
29	95617-08200-00	NUT, SELF-LOCKING (U49)	2	\$2.25
30	93306-20348-00	BEARING (U49)	1	\$10.76
31	93102-25081-00	OIL SEAL (U49)	1	\$3.88
32	93102-25099-00	OIL SEAL (U49)	1	\$4.52
33	5GT-23872-00-00	HOLDER, BEARING (U49)	1	\$7.79
34	4WV-28100-00-00	TOOL KIT (U49)	1	\$18.96
35	1NV-2811A-01-00	GAUGE, AIR (U49)	1	\$16.50



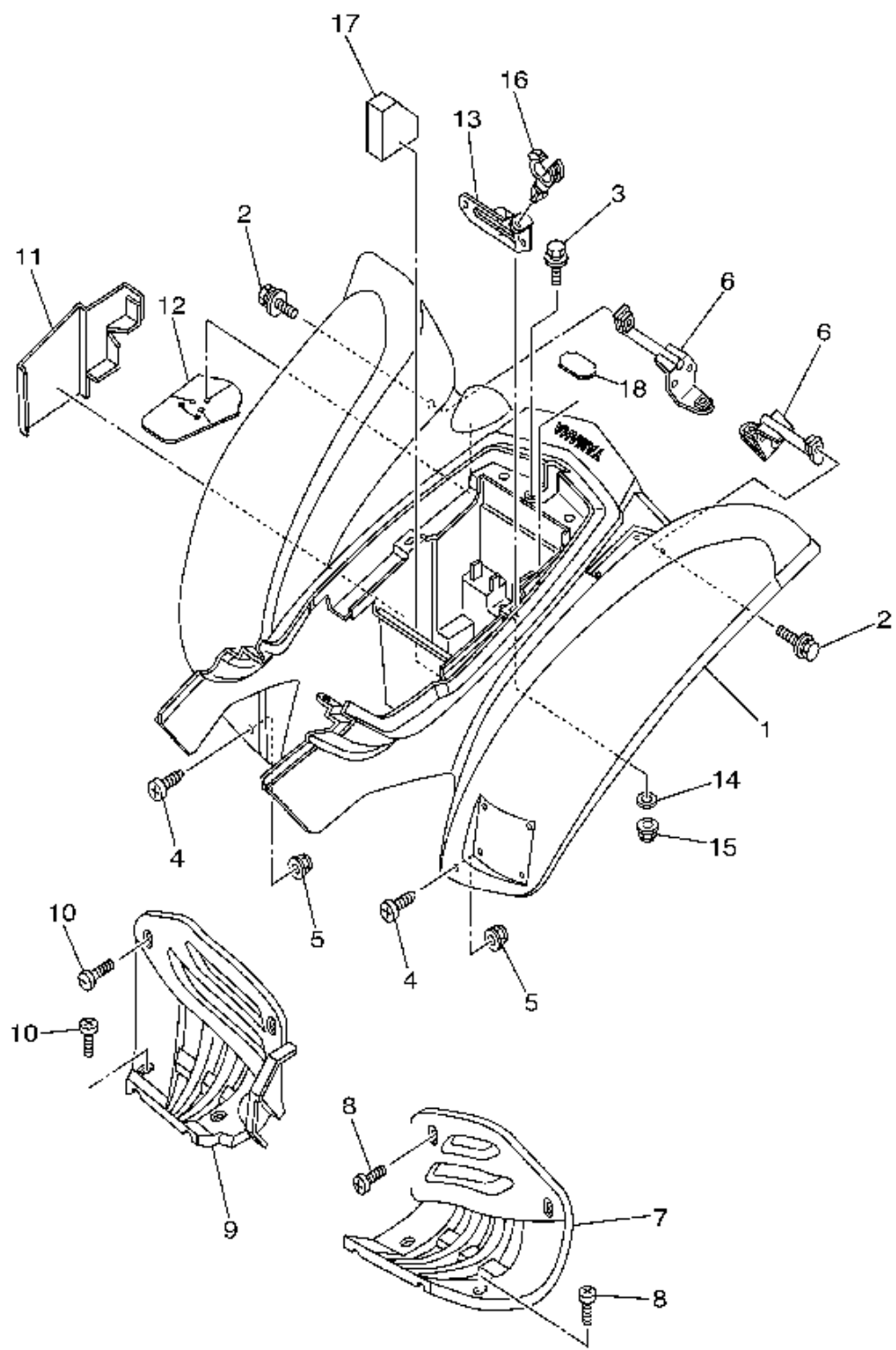
Ref.	Part No.	FRONT FENDER DESCRIPTION	REQ	Price Each
1	5LP-W2151-00-00	FRONT FENDER COMP (UR DEEP PURPLISH BLUE) (U49)	1	\$245.00
	5LP-W2151-10-00	FRONT FENDER COMP (UR RADICAL WHITE) (U49)	1	\$245.00
2	97017-06016-00	BOLT, WITH WASHER (U49)	1	\$0.50
3	97024-06020-00	BOLT, WITH WASHER (U49)	2	\$0.42
4	90149-06306-00	SCREW (U49)	2	\$0.75
5	95607-06200-00	NUT, SELF U-FLANGE (U49)	2	\$0.52
6	5LP-21513-00-00	STAY, FENDER 1 (U49)	1	\$24.68
7	5LP-21514-00-00	STAY, FENDER 2 (U49)	1	\$29.56
8	95817-08014-00	BOLT, FLANGE (U49)	4	\$0.75
9	5LP-21556-00-00	FENDER, FRONT 2 (UR DEEP PURPLISH BLUE) (U49)	1	\$24.17
	5LP-21556-A0-00	FENDER, FRONT 2 (UR RADICAL WHITE) (U49)	1	\$61.18
10	90110-05201-00	BOLT, HEXAGON SOCKET HEAD (U49)	2	\$1.26
11	90183-05008-00	NUT, SPRING (U49)	2	\$0.86
12	5LP-2171A-00-00	COVER, TOP (UR DEEP PURPLISH BLUE) (U49)	1	\$7.60
	5LP-2171A-10-00	COVER, TOP (UR RADICAL WHITE) (U49)	1	\$7.32
13	90269-06002-00	RIVET (U49)	4	\$0.57
14	5LP-12467-00-00	COVER, RADIATOR (U49)	1	\$24.84
15	98980-05014-00	SCREW, BIND (U49)	2	\$0.49
16	90201-05725-00	WASHER, PLATE (U49)	2	\$1.58
17	95617-05100-00	NUT, U (U49)	2	\$1.98
18	5LP-21541-00-00	DAMPER 1 (U49)	2	\$1.60



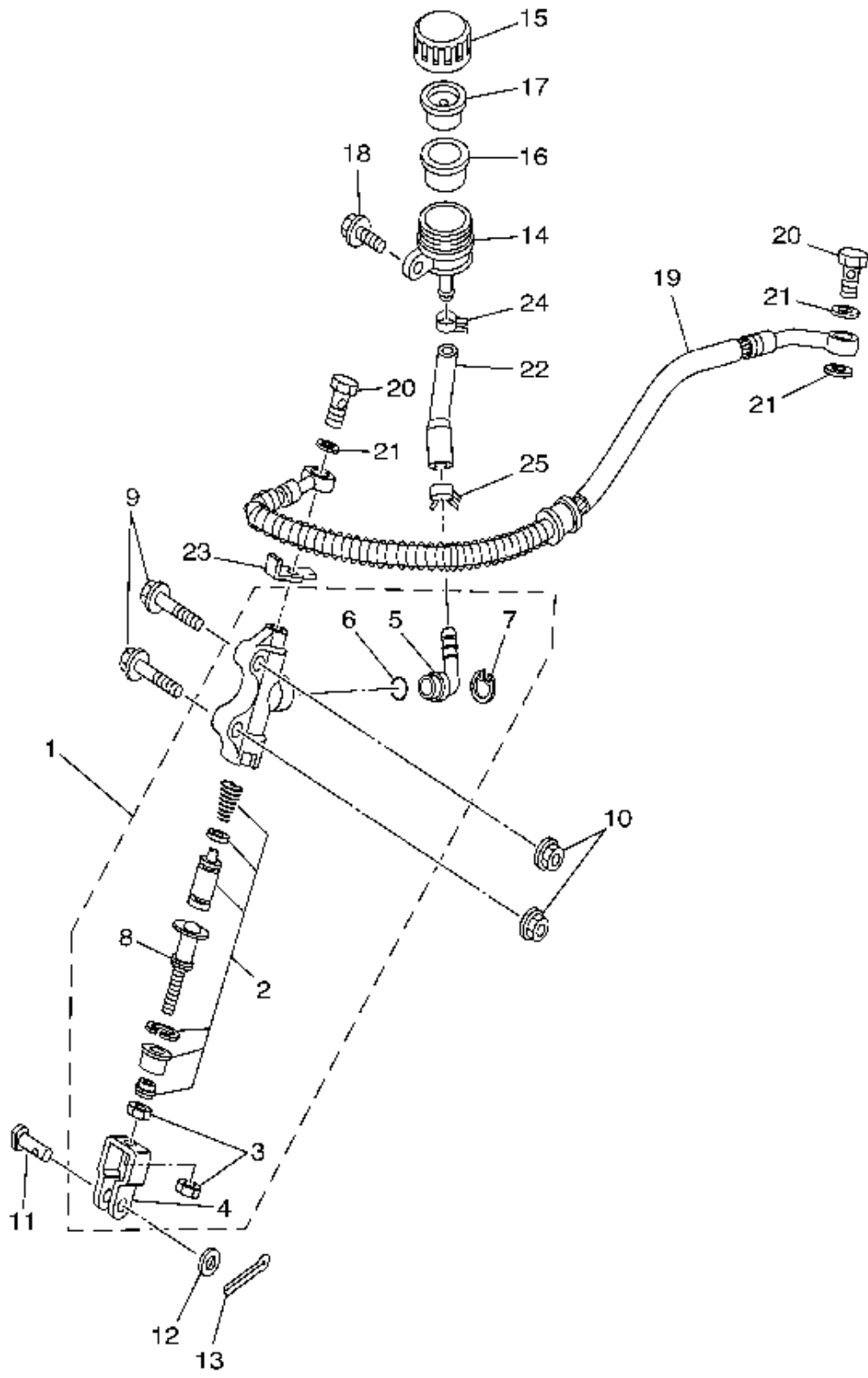
Order Qty	Ref.	Part No.	GUARD DESCRIPTION	REQ	Price Each
	1	5LP-2845N-00-00	BAR, CARRY FRONT (U49)	1	\$50.62
	2	95817-08014-00	BOLT, FLANGE (U49)	4	\$0.75
	3	5LP-2845R-00-00	BAR, CARRY REAR (U49)	1	\$32.94
	4	95817-08020-00	BOLT, FLANGE (U49)	4	\$0.84



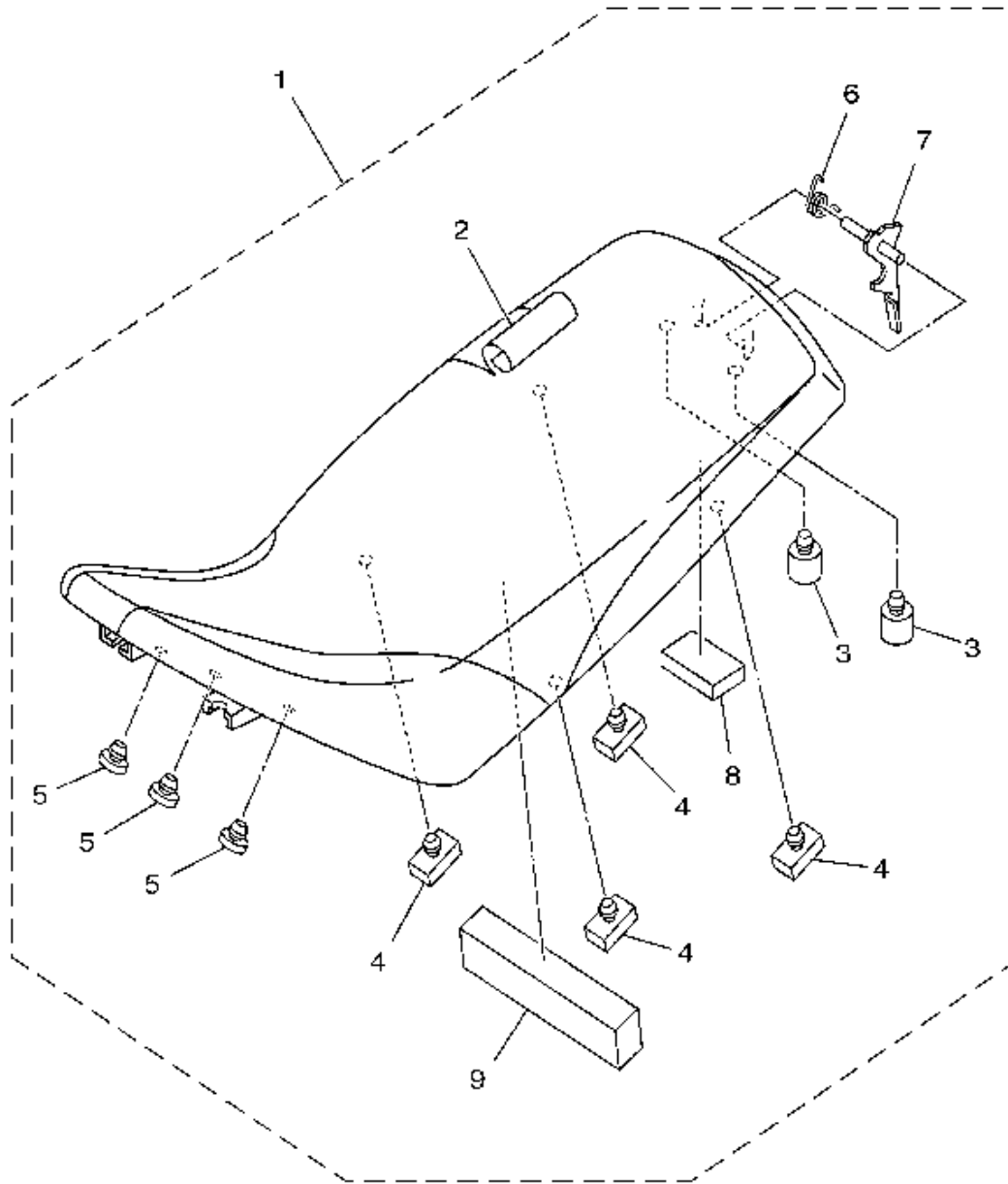
Ref.	Part No.	OIL TANK DESCRIPTION	REQ	Price Each
1	3LD-21871-00-00	TANK, RECOVERY (U49)	1	\$17.83
2	10V-21875-00-00	CAP (U49)	1	\$5.90
3	90445-090F6-00	HOSE (L1150) (U49)	1	\$6.68
4	90445-09252-00	HOSE (L355) (U49)	1	\$2.98
5	97017-06016-00	BOLT, WITH WASHER (U49)	2	\$0.50
6	90467-08003-00	CLIP (U49)	3	\$1.26
7	5LP-21750-00-00	OIL TANK ASSY (U49)	1	\$180.13
8	5LP-21761-00-00	GAUGE, LEVEL (U49)	1	\$3.16
9	93210-21190-00	O-RING (U49)	1	\$1.26
10	95817-10016-00	BOLT, FLANGE (U49)	1	\$0.98
11	90201-10128-00	WASHER, PLATE (U49)	1	\$1.98
12	90480-12421-00	GROMMET (U49)	2	\$2.40
13	90387-067N5-00	COLLAR (U49)	2	\$3.44
14	97024-06020-00	BOLT, WITH WASHER (U49)	2	\$0.42
15	90480-24001-00	GROMMET (U49)	1	\$2.13
16	90467-10008-00	CLIP (U49)	2	\$1.26
17	90445-11289-00	HOSE (L200) (U49)	1	\$4.73
18	5LP-2175T-00-00	BRACKET 1 (U49)	1	\$3.64



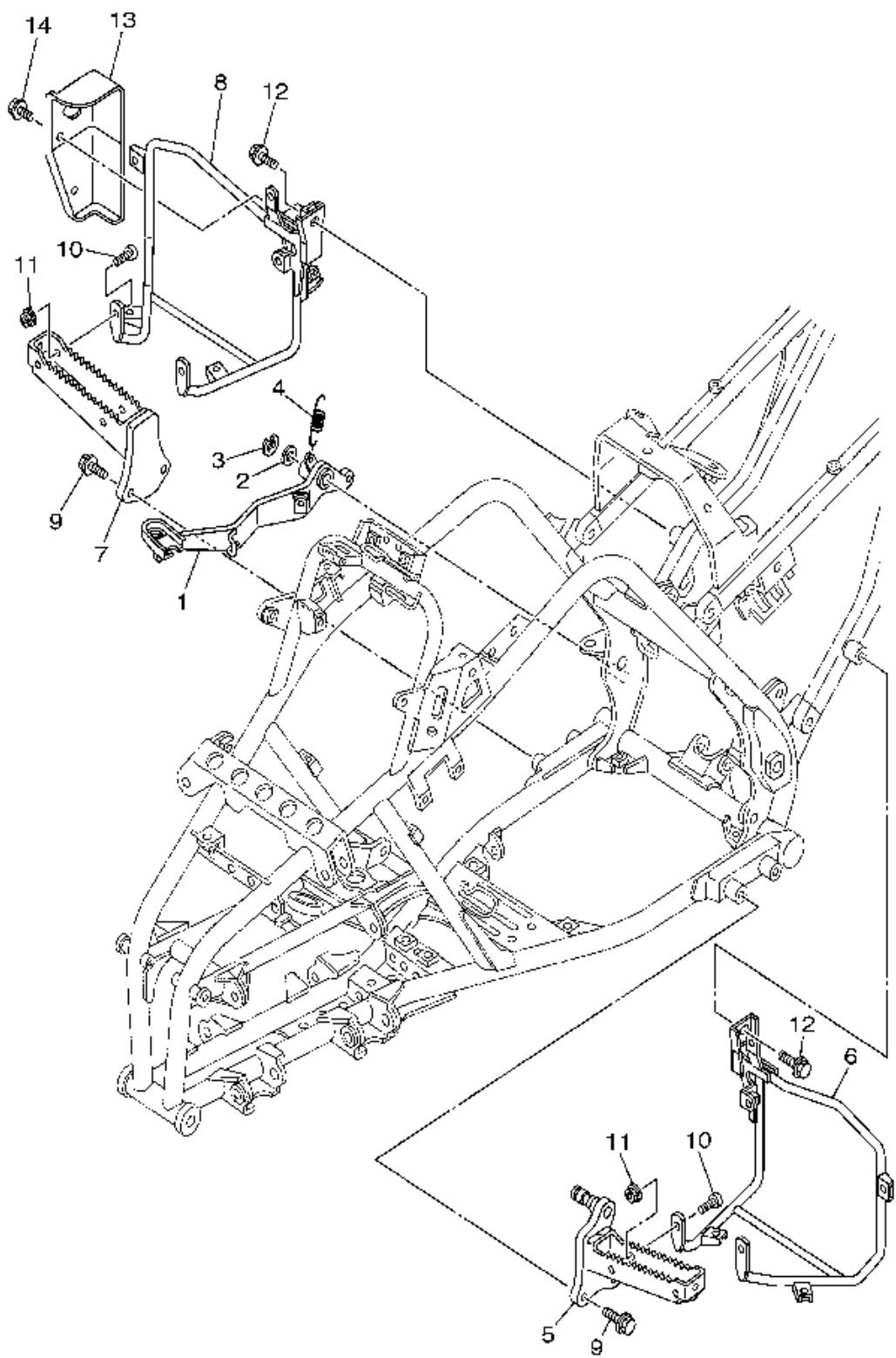
Ref.	Part No.	REAR FENDER DESCRIPTION	REQ	Price Each
1	5LP-W2161-00-00	REAR FENDER COMP (UR DEEP PURPLISH BLUE) (U49)	1	\$230.71
	5LP-W2161-10-00	REAR FENDER COMP (UR RADICAL WHITE) (U49)	1	\$230.71
2	97017-06016-00	BOLT, WITH WASHER (U49)	2	\$0.50
3	97024-06020-00	BOLT, WITH WASHER (U49)	1	\$0.42
4	90149-06306-00	SCREW (U49)	2	\$0.75
5	95607-06200-00	NUT, SELF U-FLANGE (U49)	2	\$0.52
6	5LP-21613-00-00	STAY, FENDER 1 (U49)	2	\$19.64
7	5LP-21621-00-00	FLAP (U49)	1	\$18.00
8	90154-05013-00	SCREW, BINDING (U49)	4	\$1.21
9	5LP-21691-00-00	FLAP (U49)	1	\$28.44
10	90154-05013-00	SCREW, BINDING (U49)	4	\$1.21
11	5LP-2163A-00-00	COVER, REAR FENDER 1 (U49)	1	\$3.60
12	5LP-2163E-00-00	COVER, REAR FENDER 2 (U49)	1	\$1.60
13	5LP-21688-00-00	BRACKET, REAR STAY (U49)	1	\$7.12
14	90201-06067-00	WASHER, PLATE (U49)	2	\$1.26
15	95607-06200-00	NUT, SELF U-FLANGE (U49)	2	\$0.52
16	90464-20181-00	CLAMP (U49)	1	\$0.72
17	5LP-27114-00-00	STOPPER, MAIN STAND (U49)	1	\$2.88
18	5LP-21639-00-00	DAMPER 2 (U49)	1	\$1.28



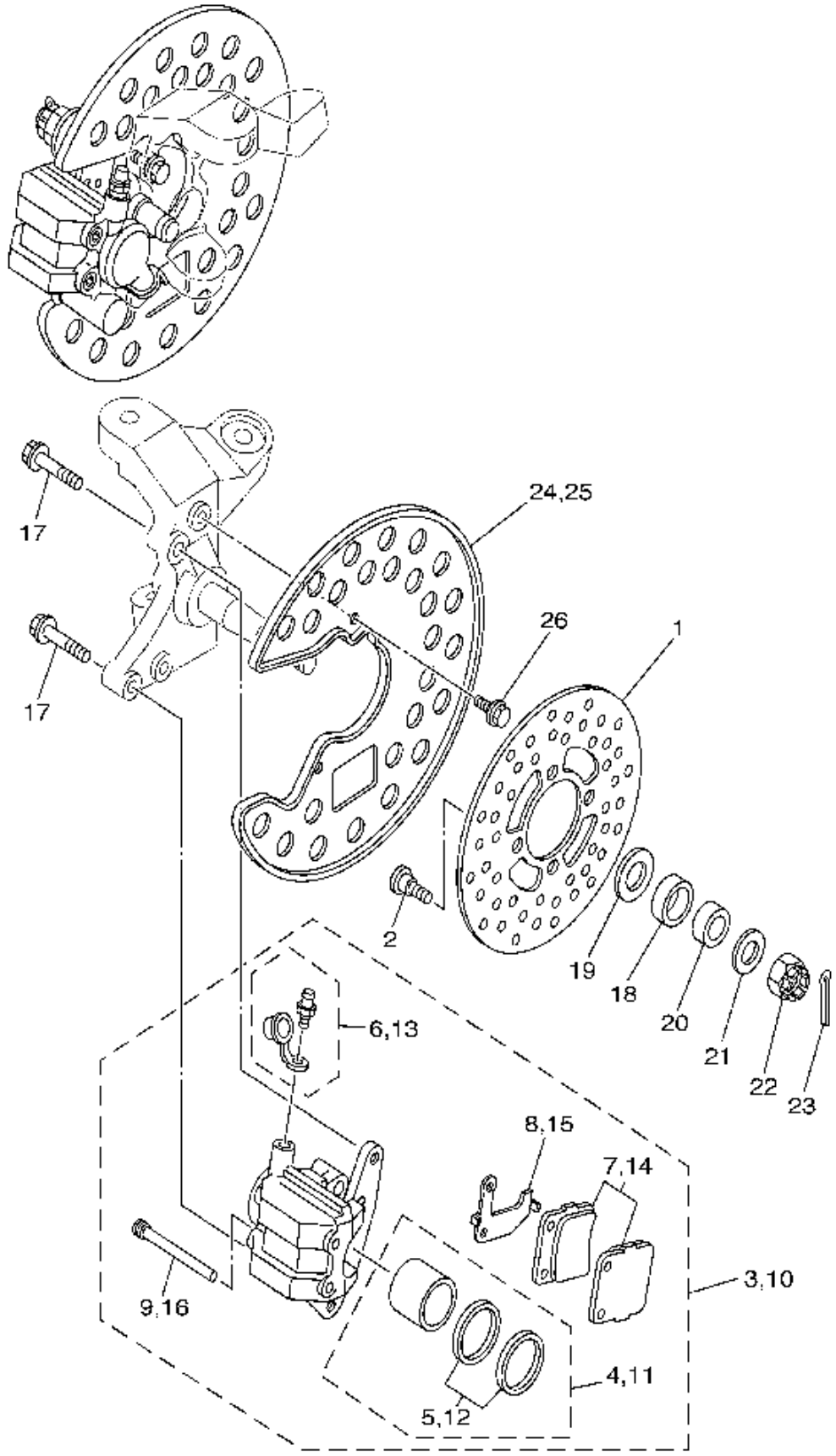
Ref.	Part No.	REAR MASTER CYLINDER DESCRIPTION	REQ	Price Each
1	4PT-2580E-00-00	REAR MASTER CYLINDER ASSY (U49)	1	\$84.80
2	4BA-W0042-50-00	...CYLINDER KIT, MASTER (U49)	1	\$41.64
3	95301-08600-00	...NUT (U49)	2	\$1.18
4	2YK-27222-00-00	...JOINT (U49)	1	\$4.20
5	2YK-2582A-00-00	...JOINT (U49)	1	\$14.60
6	93210-15566-00	...O-RING (U49)	1	\$1.26
7	2VN-25866-00-00	...CIRCLIP (U49)	1	\$2.60
8	3KW-27234-00-00	...PIN, BRAKE ROD (U49)	1	\$1.00
9	95027-08030-00	BOLT, FLANGE (U49)	2	\$0.98
10	95617-08200-00	NUT, SELF-LOCKING (U49)	2	\$2.25
11	90240-08124-00	PIN, CLEVIS (U49)	1	\$2.96
12	90201-08083-00	WASHER, PLATE (U49)	1	\$0.75
13	91401-16020-00	PIN, COTTER (U49)	1	\$2.34
14	2VN-25894-00-00	TANK, RESERVOIR (U49)	1	\$7.15
15	4PX-25852-00-00	CAP, RESERVOIR (U49)	1	\$5.02
16	2VN-25854-00-00	DIAPHRAGM, RESERVOIR (U49)	1	\$9.47
17	2VN-25855-00-00	BUSH, DIAPHRAGM (U49)	1	\$4.40
18	95817-06016-00	BOLT, WASHER BASED (U49)	1	\$0.78
19	5LP-25874-00-00	HOSE, BRAKE (U49)	1	\$30.20
20	90401-10159-00	BOLT, UNION (U49)	2	\$2.36
21	90201-10118-00	WASHER, PLATE (U49)	3	\$1.26
22	5LP-25895-00-00	HOSE, RESERVOIR (U49)	1	\$3.44
23	5LP-25844-00-00	WASHER, LOCK (U49)	1	\$2.56
24	90467-11044-00	CLIP (U49)	1	\$1.98
25	90467-14057-00	CLIP (U49)	1	\$2.41



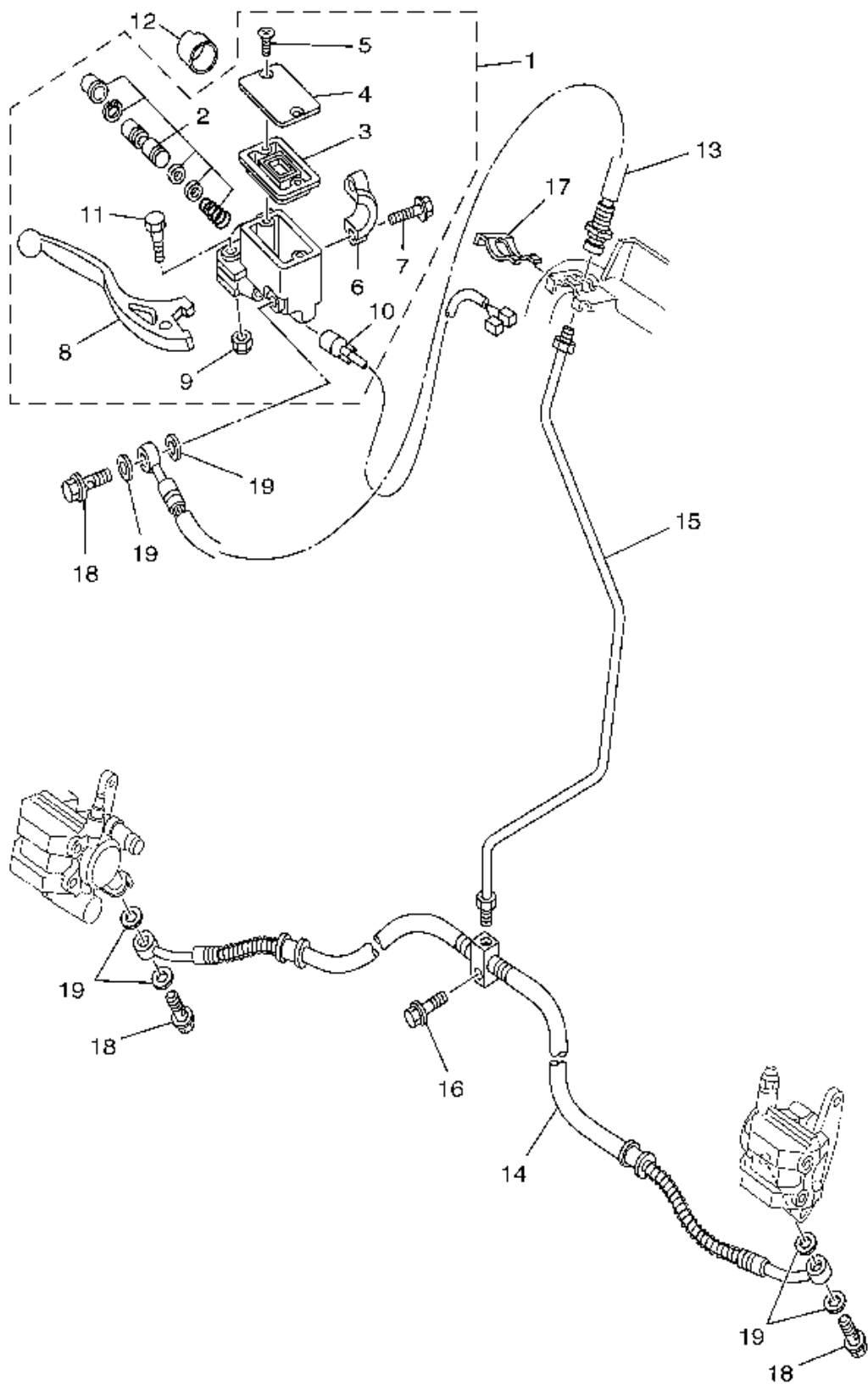
Ref.	Part No.	SEAT DESCRIPTION	REQ	Price Each
1	5LP-24710-00-00	SINGLE SEAT ASSY (U49)	1	\$208.24
2	5LP-2470F-00-00	...COVER, SEAT (U49)	1	\$76.36
3	371-27114-00-00	...STOPPER, MAIN STAND (U49)	2	\$2.98
4	214-24724-00-00	...DAMPER, SEAT (U49)	4	\$3.30
5	22W-24741-00-00	...PAD, SEAT (U49)	3	\$2.50
6	90508-23567-00	...SPRING, TORSION (U49)	1	\$2.80
7	5LP-24776-00-00	...LEVER, SEAT (U49)	1	\$9.72
8	5LP-24725-00-00	...SPACER (U49)	1	\$1.08
9	5LP-24729-00-00	...SPACER 2 (U49)	1	\$1.04



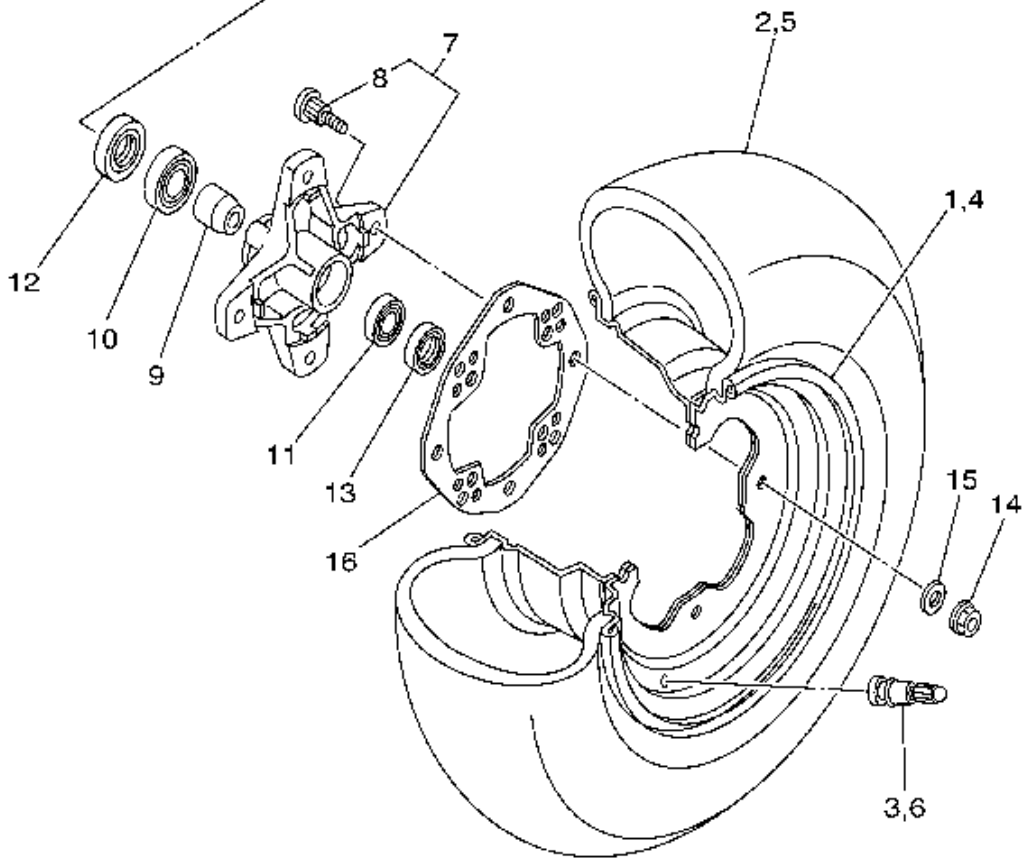
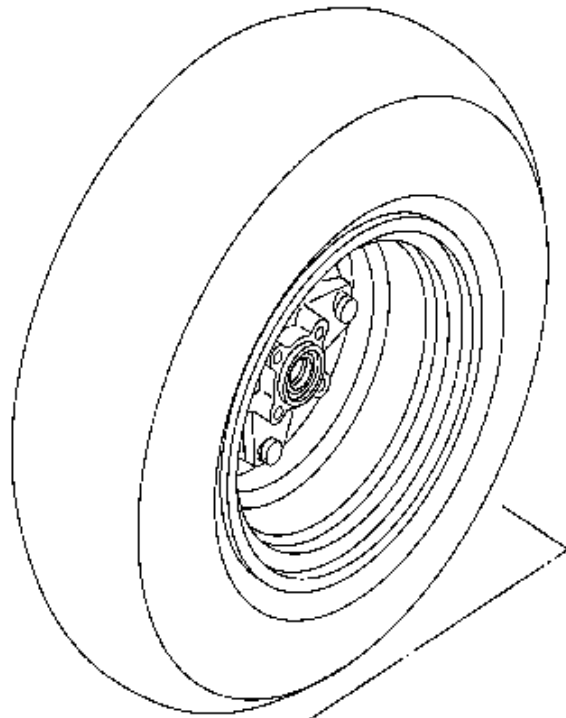
Ref.	Part No.	STAND - FOOTREST DESCRIPTION	REQ	Price Each
1	5LP-27211-00-00	PEDAL, BRAKE (U49)	1	\$45.56
2	90201-15797-00	WASHER, PLATE (U49)	1	\$0.75
3	93430-12008-00	CIRCLIP (U49)	1	\$2.76
4	90506-20380-00	SPRING, TENSION (U49)	1	\$3.44
5	5LP-27411-00-00	FOOTREST 1 (U49)	1	\$55.32
6	5LP-27445-00-00	PLATE 1 (U49)	1	\$85.88
7	5LP-27421-00-00	FOOTREST 2 (U49)	1	\$35.04
8	5LP-27446-00-00	PLATE 2 (U49)	1	\$85.88
9	95817-10025-00	BOLT, WASHER BASED (U49)	4	\$0.75
10	92017-08016-00	BOLT, BUTTON HEAD (U49)	4	\$1.06
11	95617-08200-00	NUT, SELF-LOCKING (U49)	4	\$2.25
12	95817-08020-00	BOLT, FLANGE (U49)	2	\$0.84
13	5LP-27453-00-00	COVER 1 (U49)	1	\$3.12
14	90109-06036-00	BOLT (U49)	2	\$0.72



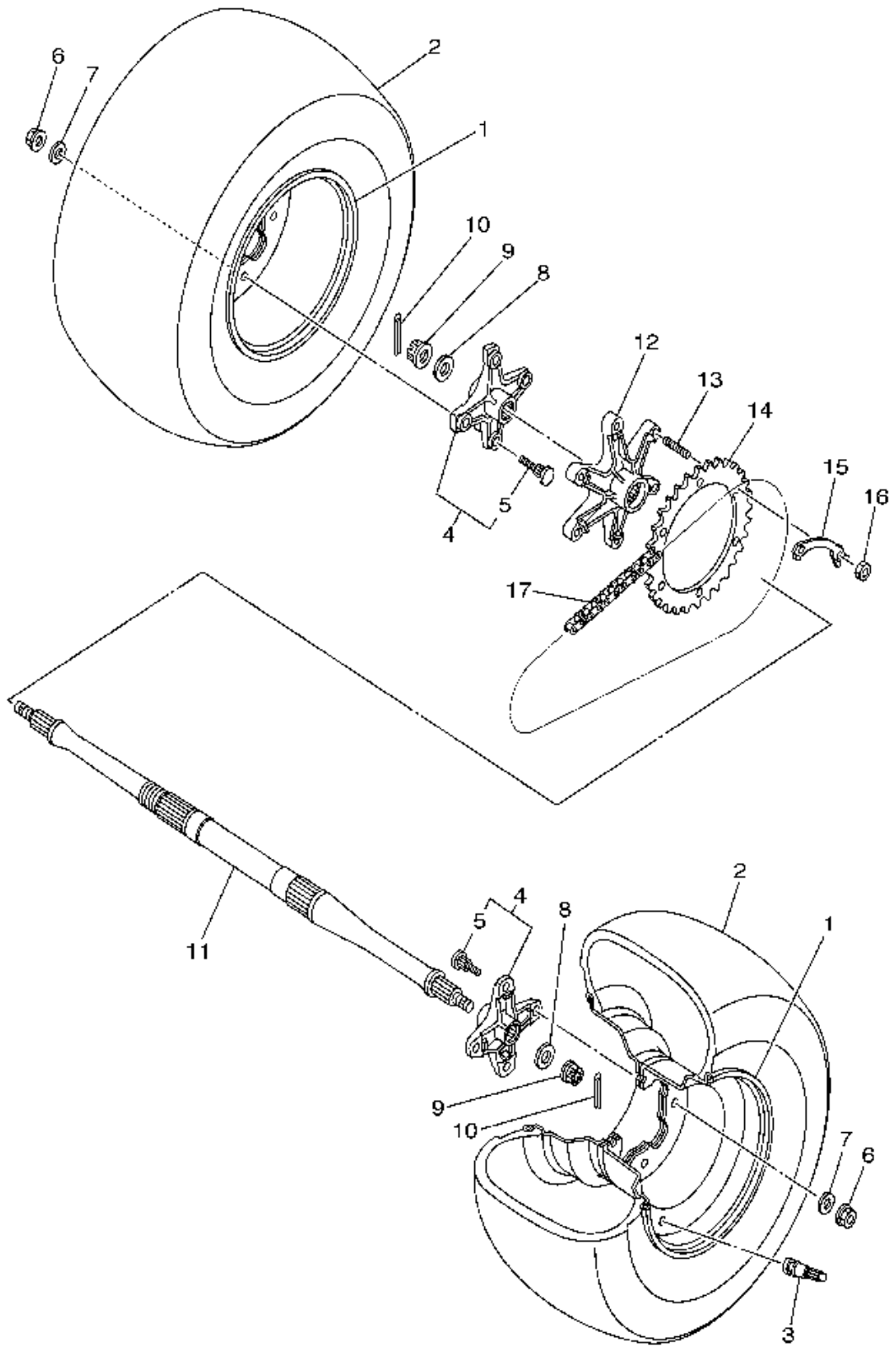
Ref.	Part No.	FRONT BRAKE CALIPER DESCRIPTION	REQ	Price Each
1	3GD-2582T-00-00	DISC, BRAKE (U49)	2	\$137.62
2	90149-08268-00	SCREW (U49)	8	\$1.68
3	5LP-2580T-00-00	CALIPER ASSY (LEFT) (U49)	1	\$173.72
4	3GD-W0057-00-00	...PISTON ASSY, CALIPER (U49)	1	\$28.39
5	3GD-W0047-00-00CALIPER SEAL KIT (U49)	1	\$6.72
6	36Y-W0048-00-00	...BLEED SCREW KIT (U49)	1	\$4.98
7	5LP-W0045-00-00	...BRAKE PAD KIT (U49)	1	\$29.95
8	3GD-25827-00-00	...SHIM, CALIPER (U49)	1	\$3.30
9	3GD-25933-00-00	...PIN, PAD (U49)	2	\$7.74
10	5LP-2580U-00-00	CALIPER ASSY (RIGHT) (U49)	1	\$173.72
11	3GD-W0057-00-00	...PISTON ASSY, CALIPER (U49)	1	\$28.39
12	3GD-W0047-00-00CALIPER SEAL KIT (U49)	1	\$6.72
13	36Y-W0048-00-00	...BLEED SCREW KIT (U49)	1	\$4.98
14	5LP-W0045-00-00	...BRAKE PAD KIT (U49)	1	\$29.95
15	3GD-25828-00-00	...SHIM, CALIPER (U49)	1	\$3.30
16	3GD-25933-00-00	...PIN, PAD (U49)	2	\$7.74
17	95817-08020-00	BOLT, WASHER BASED (U49)	4	\$0.84
18	90387-20005-00	COLLAR (U49)	2	\$3.97
19	90201-20279-00	WASHER, PLATE (U49)	2	\$0.40
20	90387-150R1-00	COLLAR (U49)	2	\$2.80
21	90201-14220-00	WASHER, PLATE (U49)	2	\$2.40
22	90171-14056-00	NUT, CASTLE (U49)	2	\$3.64
23	91490-30030-00	PIN, COTTER (U49)	2	\$1.26
24	5LP-2514A-00-00	RING, WHEEL 1 (LEFT) (U49)	1	\$10.72
25	5LP-2515A-00-00	RING, WHEEL 2 (RIGHT) (U49)	1	\$11.52
26	95817-06012-00	BOLT, FLANGE (U49)	4	\$0.84



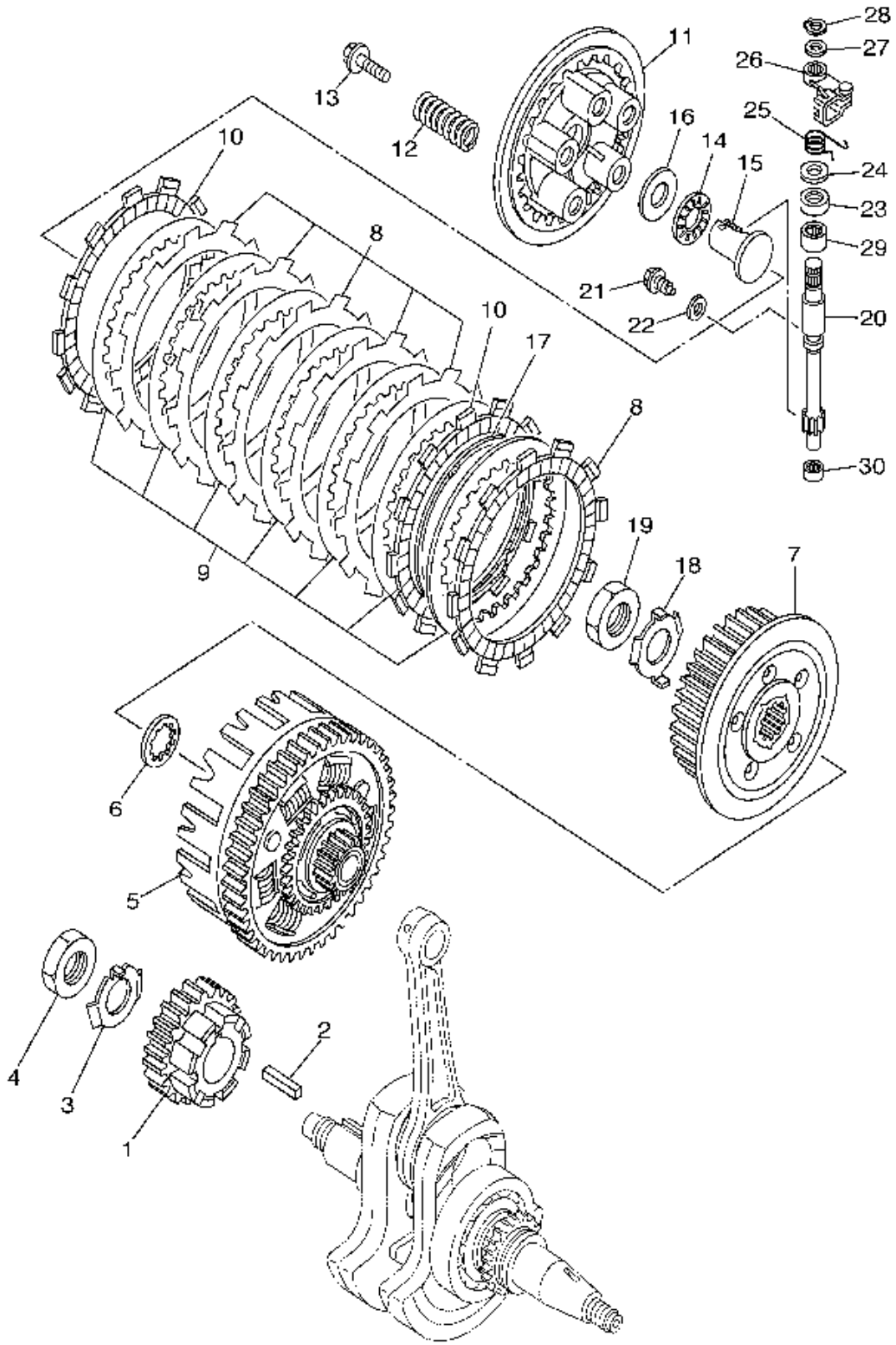
Ref.	Part No.	FRONT MASTER CYLINDER DESCRIPTION	REQ	Price Each
1	5LP-2583T-00-00	MASTER CYLINDER ASSY (U49)	1	\$150.56
2	5LP-W0041-00-00	...CYLINDER KIT, MASTER (U49)	1	\$24.80
3	4L0-25854-00-00	...DIAPHRAGM, RESERVOIR (U49)	1	\$7.15
4	5LP-25852-00-00	...CAP, RESERVOIR (U49)	1	\$7.40
5	4NK-2589H-00-00	...SCREW (U49)	2	\$0.30
6	5LP-25867-00-00	...BRACKET, MASTER CYLINDER (U49)	1	\$8.16
7	5MV-25833-00-00	...BOLT, FITTING (U49)	2	\$0.36
8	5LP-83922-00-00	...LEVER 2 (U49)	1	\$13.83
9	95604-06100-00	...NUT, U (U49)	1	\$0.39
10	5LP-83980-00-00	...FRONT STOP SWITCH ASSY (U49)	1	\$22.64
11	5MV-2589F-00-00	...BOLT, LEVER (U49)	1	\$1.76
12	1UY-26259-00-00	COLLAR (U49)	1	\$5.47
13	5LP-25872-00-00	HOSE, BRAKE 1 (U49)	1	\$19.84
14	5LP-25873-00-00	HOSE, BRAKE 2 (U49)	1	\$80.40
15	5LP-25871-00-00	PIPE, BRAKE (U49)	1	\$6.24
16	95817-06025-00	BOLT, FLANGE (U49)	1	\$0.86
17	2GU-25866-00-00	CIRCLIP (U49)	1	\$3.17
18	90401-10159-00	BOLT, UNION (U49)	3	\$2.36
19	90201-10118-00	WASHER, PLATE (U49)	6	\$1.26



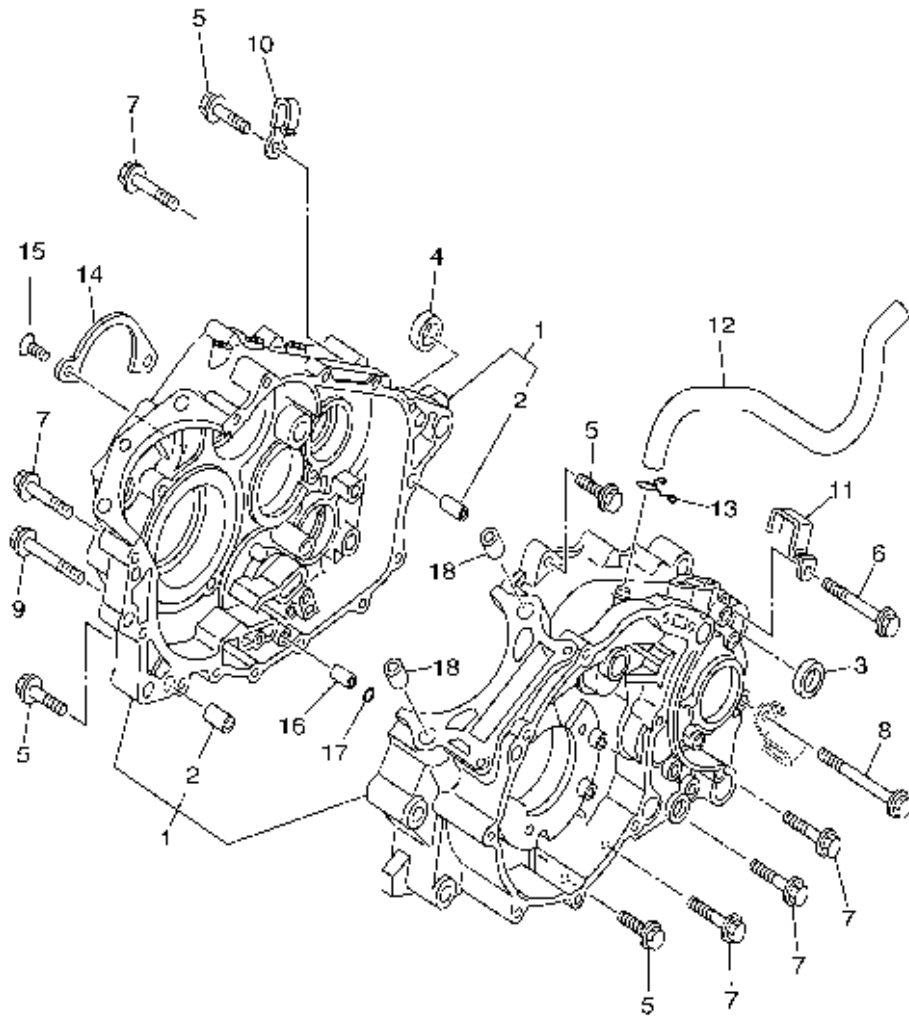
Ref.	Part No.	FRONT WHEEL DESCRIPTION	REQ	Price Each
1	5LP-25180-00-00	WHEEL COMP (U49)	1	\$190.58
2	94107-10009-00	TIRE (AT21 X 7-10, DUNLOP-KT331) (U49)	1	\$102.15
3	93900-00030-00	VALVE, RIM (U49)	1	\$6.88
4	5LP-25180-00-00	WHEEL COMP (U49)	1	\$190.58
5	94107-10009-00	TIRE (AT21 X 7-10, DUNLOP-KT331) (U49)	1	\$102.15
6	93900-00030-00	VALVE, RIM (U49)	1	\$6.88
7	5LP-25111-00-00	HUB, FRONT (U49)	2	\$109.96
8	90114-10007-00	..BOLT, SERRATION (U49)	4	\$2.80
9	5LP-25117-00-00	SPACER, BEARING (U49)	2	\$5.36
10	93306-00438-00	BEARING (B6004Z) (UR NTN) (U49)	2	\$10.50
	93306-00438-00	BEARING (UR NIHON SEIKO) (U49)	2	\$10.50
11	93306-20204-00	BEARING (U49)	2	\$10.50
12	93105-26026-00	OIL SEAL (U49)	2	\$3.88
13	93102-22216-00	OIL SEAL (U49)	2	\$5.51
14	90179-10394-00	NUT, FLANGE (U49)	8	\$0.62
15	92907-10200-00	WASHER, PLAIN (U49)	8	\$1.72
16	3GD-25127-10-00	COVER, PLATE (U49)	2	\$14.30



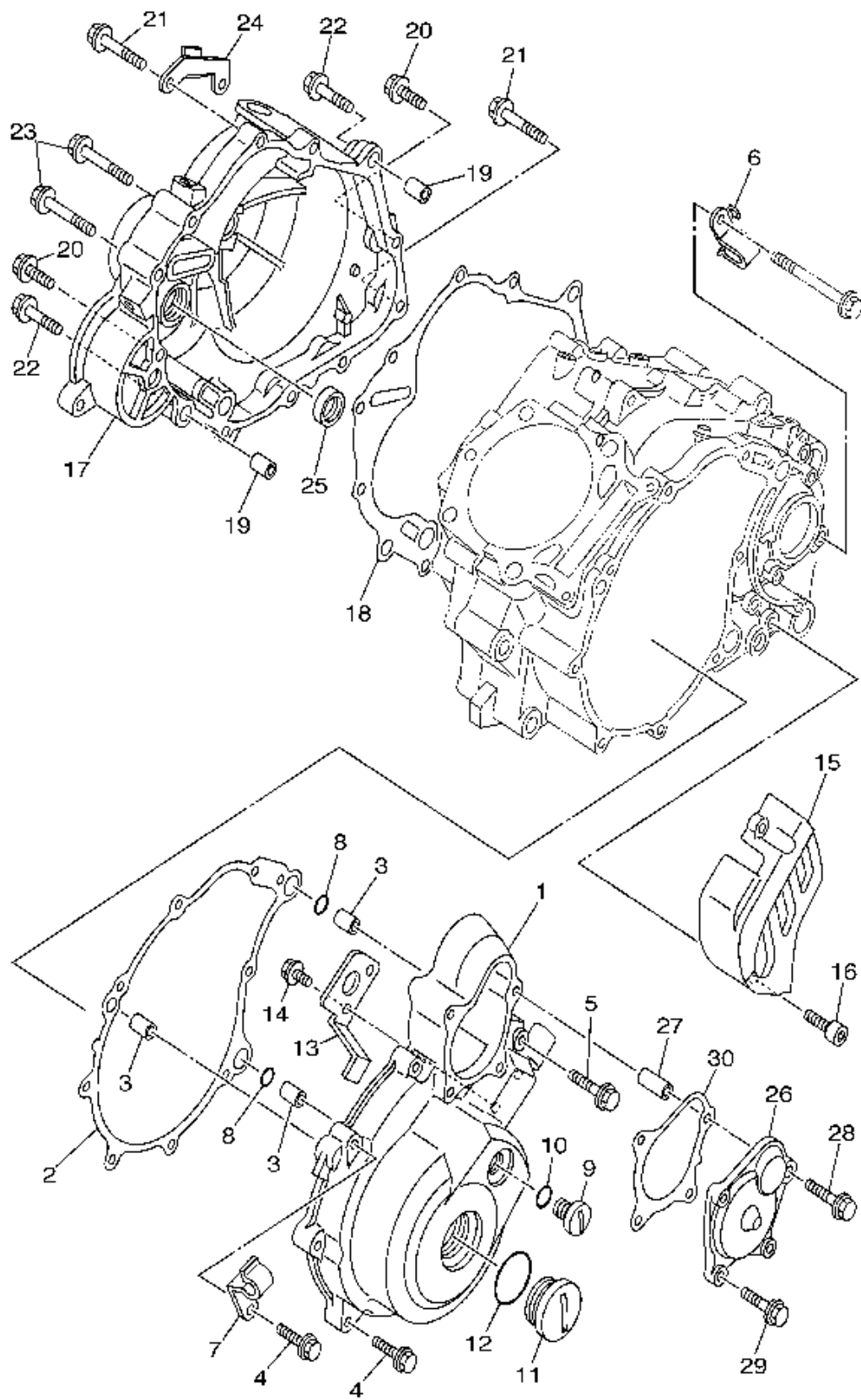
Ref.	Part No.	REAR WHEEL DESCRIPTION	REQ	Price Each
1	5LP-25390-00-00	REAR WHEEL COMP (U49)	2	\$200.27
2	94110-09008-00	TIRE (AT21 X 10-9, DUNLOP-KT335) (U49)	2	\$119.19
3	93900-00030-00	VALVE, RIM (TAIHEIYO) (U49)	2	\$6.88
4	5LP-25383-00-00	COLLAR, WHEEL (U49)	2	\$62.12
5	90114-10009-00	...BOLT, SERRATION (U49)	4	\$1.94
6	90179-10394-00	NUT, FLANGE (U49)	8	\$0.62
7	92907-10200-00	WASHER, PLAIN (U49)	8	\$1.72
8	90201-141A3-00	WASHER, PLATE (U49)	2	\$2.98
9	90171-14037-00	NUT, CASTLE (U49)	2	\$4.52
10	91490-30030-00	PIN, COTTER (U49)	2	\$1.26
11	5LP-25381-00-00	AXLE, WHEEL (U49)	1	\$243.73
12	5LP-25386-00-00	COLLAR, SPROCKET AXLE (U49)	1	\$63.56
13	90116-08507-00	BOLT, STUD (U49)	6	\$1.26
14	2XJ-25440-20-00	SPROCKET, DRIVEN (40T) (U49)	1	\$25.67
15	2XJ-25412-00-00	WASHER (U49)	3	\$1.41
16	90170-08158-00	NUT (U49)	6	\$0.40
17	94581-18092-00	CHAIN (U49)	1	\$66.46



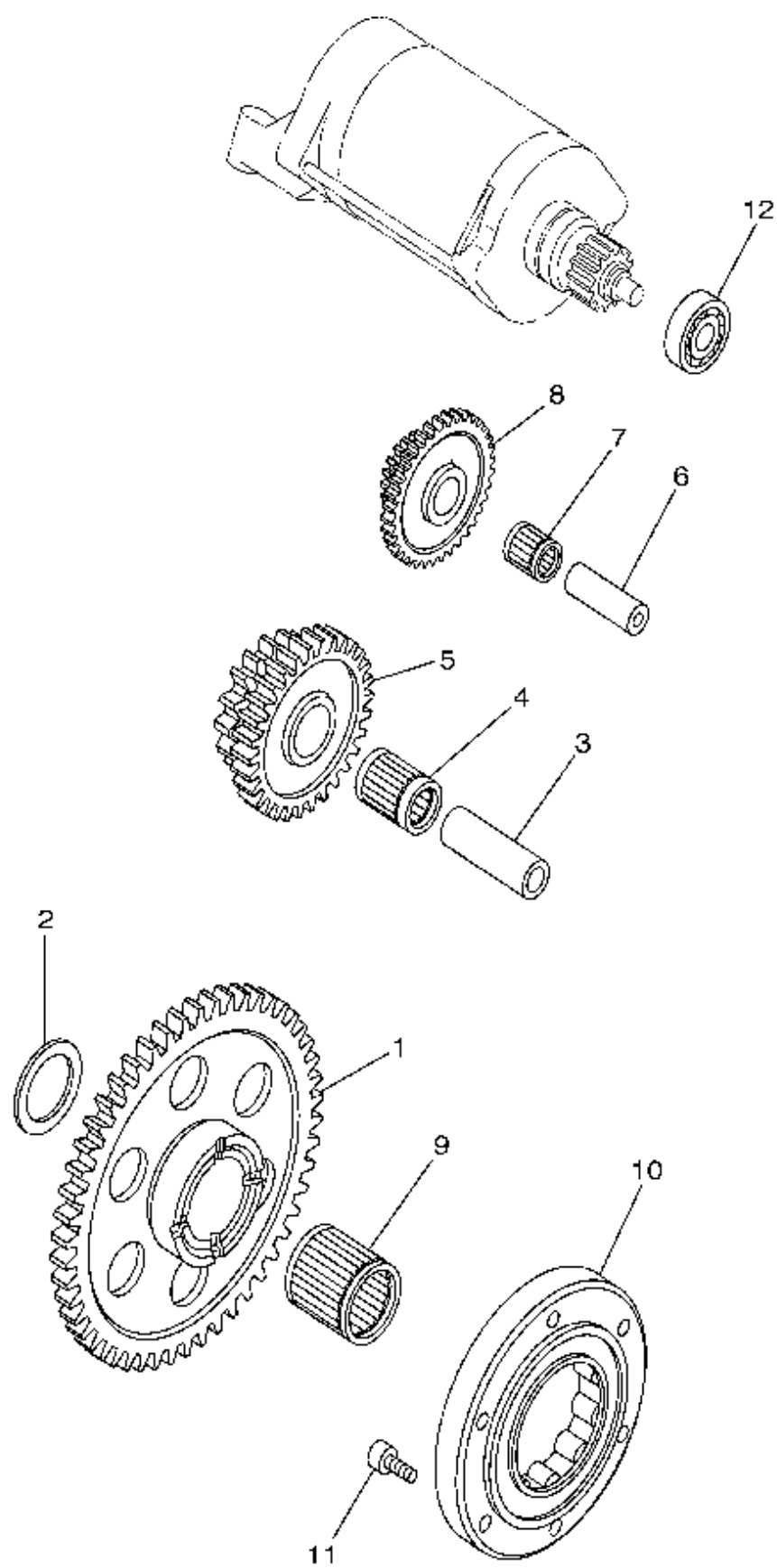
Ref.	Part No.	CLUTCH DESCRIPTION	REQ	Price Each
1	5LP-16111-10-00	GEAR, PRIMARY DRIVE (U49)	1	\$84.84
2	90282-07042-00	KEY, STRAIGHT (U49)	1	\$3.81
3	90215-20197-00	WASHER, LOCK (U49)	1	\$2.40
4	90170-20274-00	NUT (U49)	1	\$4.13
5	3AJ-16150-00-00	PRIMARY DRIVEN GEAR COMP(71T) (U49)	1	\$248.32
6	2JN-16154-00-00	PLATE, THRUST 1 (U49)	1	\$7.56
7	4PT-16371-00-00	BOSS, CLUTCH (U49)	1	\$39.00
8	5Y1-16321-00-00	PLATE, FRICTION (U49)	6	\$6.43
9	498-16325-00-00	PLATE, CLUTCH 2 (U49)	7	\$13.46
10	5Y1-16331-01-00	PLATE, FRICTION 2 (U49)	2	\$15.12
11	3YF-16351-00-00	PLATE, PRESSURE 1 (U49)	1	\$20.29
12	90501-23142-00	SPRING, COMPRESSION (U49)	5	\$2.07
13	90159-06092-00	SCREW, WITH WASHER (U49)	5	\$1.40
14	93340-21505-00	BEARING (U49)	1	\$10.50
15	4H7-16356-01-00	ROD, PUSH 1 (U49)	1	\$19.14
16	90201-150U6-00	WASHER, PLATE (U49)	1	\$3.29
17	5Y1-16383-00-00	SPRING, CLUTCH BOSS (U49)	1	\$10.72
18	90215-20231-00	WASHER, LOCK (U49)	1	\$1.26
19	90170-20327-00	NUT (U49)	1	\$3.92
20	3JD-16382-00-00	AXLE, PUSH LEVER (U49)	1	\$31.03
21	90109-06418-00	BOLT (U49)	1	\$0.98
22	90430-06014-00	GASKET (U49)	1	\$1.60
23	93102-15212-00	OIL SEAL (U49)	1	\$3.92
24	90201-15785-00	WASHER, PLATE (U49)	1	\$1.10
25	90508-20016-00	SPRING, TORSION (U49)	1	\$1.28
26	3LD-16340-01-00	PUSH LEVER ASSY (U49)	1	\$7.12
27	90201-10119-00	WASHER, PLATE (U49)	1	\$2.80
28	99009-10400-00	CIRCLIP (U49)	1	\$0.40
29	93315-31502-00	BEARING (U49)	1	\$10.50
30	93315-10838-00	BEARING (U49)	1	\$10.50



Ref.	Part No.	CRANKCASE DESCRIPTION	REQ	Price Each
1	5LP-15100-00-00	CRANKCASE ASSY (U49)	1	\$574.36
2	99510-12016-00	...PIN, DOWEL (U49)	2	\$1.98
3	90387-17783-00	COLLAR (U49)	1	\$2.80
4	90387-17783-00	COLLAR (U49)	1	\$2.80
5	95027-06030-00	BOLT, FLANGE (U49)	6	\$0.86
6	95027-06065-00	BOLT, FLANGE (U49)	1	\$1.00
7	95027-06045-00	BOLT, FLANGE (U49)	5	\$0.86
8	95027-06080-00	BOLT, FLANGE (U49)	1	\$1.01
9	95027-06060-00	BOLT, FLANGE (U49)	1	\$0.78
10	90465-06332-00	CLAMP (U49)	1	\$1.89
11	5LP-15484-00-00	CLAMP 2 (U49)	1	\$3.48
12	5LP-11166-00-00	PIPE, BREATHER 1 (U49)	1	\$9.32
13	90467-14015-00	CLIP (U49)	1	\$0.75
14	3Y1-15383-00-00	PLATE, BEARING COVER (U49)	1	\$0.00
15	98707-06012-00	SCREW, FLAT HEAD (U49)	2	\$0.22
16	99510-08016-00	PIN, DOWEL (U49)	1	\$0.46
17	93210-07135-00	O-RING (U49)	1	\$0.75
18	99530-14016-00	PIN, DOWEL (U49)	2	\$2.58



Ref.	Part No.	CRANKCASE COVER - 1 DESCRIPTION	REQ	Price Each
1	5LP-15411-00-00	COVER, CRANKCASE 1 (U49)	1	\$166.36
2	5LP-15451-00-00	GASKET, CRANKCASE COVER 1 (U49)	1	\$6.84
3	99510-12016-00	PIN, DOWEL (U49)	3	\$1.98
4	95027-06030-00	BOLT, FLANGE (U49)	5	\$0.86
5	95027-06040-00	BOLT, FLANGE (U49)	4	\$0.42
6	90465-06332-00	CLAMP (U49)	1	\$1.89
7	5LP-13487-00-00	GUIDE, OIL HOSE (U49)	1	\$2.52
8	93210-13361-00	O-RING (U49)	2	\$1.26
9	90340-14128-00	PLUG, STRAIGHT SCREW (U49)	1	\$9.28
10	93210-14369-00	O-RING (U49)	1	\$0.75
11	90340-36121-00	PLUG, STRAIGHT SCREW (U49)	1	\$8.40
12	93210-357A3-00	O-RING (U49)	1	\$4.08
13	5LP-15113-00-00	PLATE (U49)	1	\$5.20
14	95027-06014-00	BOLT, FLANGE (U49)	2	\$0.20
15	5LP-15421-00-00	COVER, CRANKCASE 2 (U49)	1	\$14.64
16	91317-06020-00	BOLT (U49)	2	\$0.86
17	5LP-15431-00-00	COVER, CRANKCASE 3 (U49)	1	\$178.55
18	5LP-15462-00-00	GASKET, CRANKCASE COVER 3 (U49)	1	\$9.16
19	99510-12016-00	PIN, DOWEL (U49)	2	\$1.98
20	95817-06025-00	BOLT, FLANGE (U49)	5	\$0.86
21	95027-06030-00	BOLT, FLANGE (U49)	3	\$0.86
22	95027-06035-00	BOLT, FLANGE (U49)	2	\$0.86
23	90105-06798-00	BOLT, FLANGE (U49)	2	\$0.56
24	5LP-15441-00-00	HOLDER, CLUTCH CABLE (U49)	1	\$3.40
25	93101-14092-00	OIL SEAL (S7-14-25-5.5-1-HS) (U49)	1	\$4.73
26	5LP-15415-00-00	COVER, GENERATOR (U49)	1	\$29.88
27	99510-08016-00	PIN, DOWEL (U49)	1	\$0.46
28	95027-06035-00	BOLT, FLANGE (U49)	1	\$0.86
29	95817-06025-00	BOLT, FLANGE (U49)	3	\$0.86
30	5LP-15455-00-00	GASKET 1 (U49)	1	\$2.56



Ref.	Part No.	STARTER DESCRIPTION	REQ	Price Each
1	5LP-15515-00-00	GEAR 3 (52T) (U49)	1	\$75.84
2	90201-286K9-00	WASHER, PLATE (U49)	1	\$3.02
3	4JH-11633-00-00	SHAFT 2 (U49)	1	\$13.46
4	93310-217R7-00	BEARING (U49)	1	\$18.88
5	5LP-15517-00-00	GEAR, ILDER 2 (32/17T) (U49)	1	\$48.56
6	1VJ-15521-00-00	SHAFT 1 (U49)	1	\$5.90
7	93310-212R6-00	BEARING (U49)	1	\$10.50
8	1VJ-15512-00-00	GEAR, IDLER 1 (U49)	1	\$49.97
9	93310-228S5-00	BEARING (U49)	1	\$11.28
10	5LP-15590-00-00	STARTER ONE-WAY ASSY (U49)	1	\$166.00
11	91317-06014-00	BOLT (U49)	6	\$0.48
12	93306-20005-00	BEARING (B6200) (NTN U49)	1	\$12.60

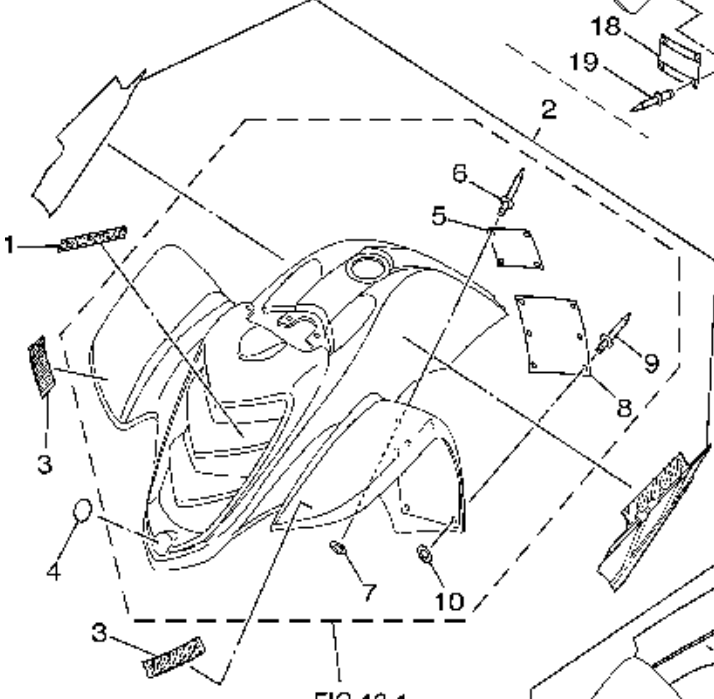
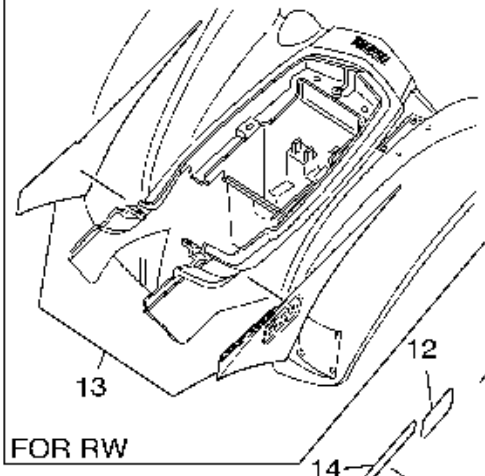


FIG.18-1

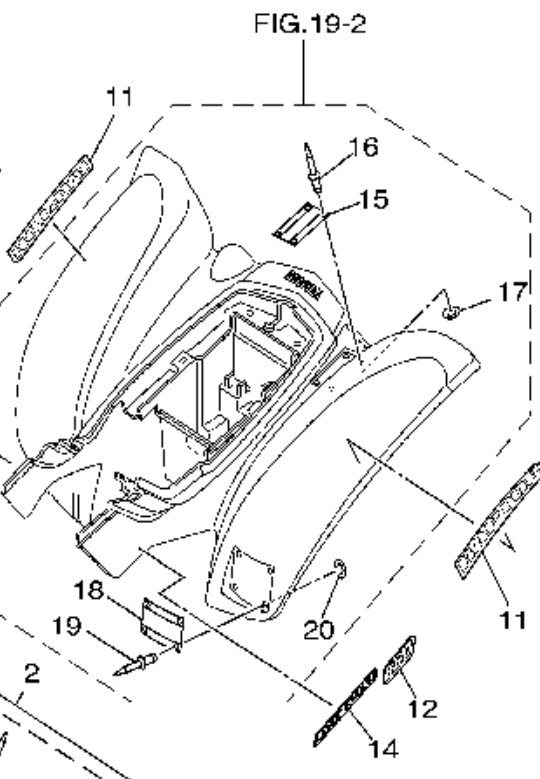
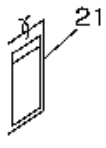
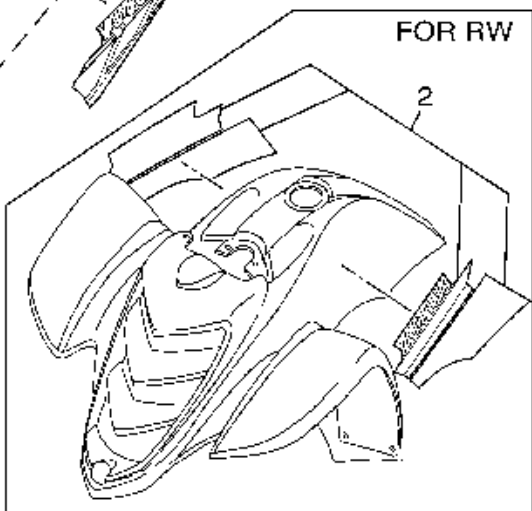
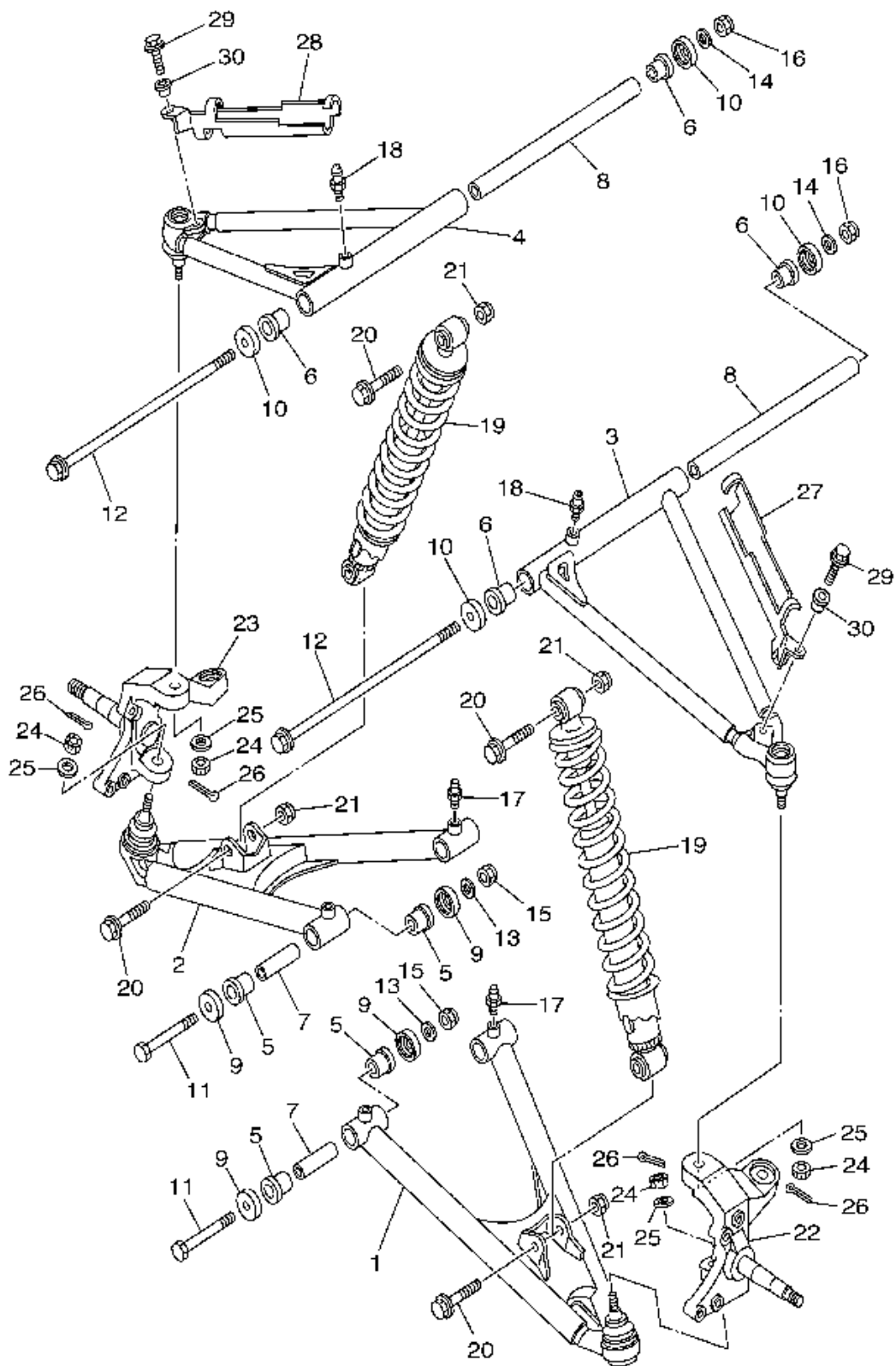


FIG.19-2

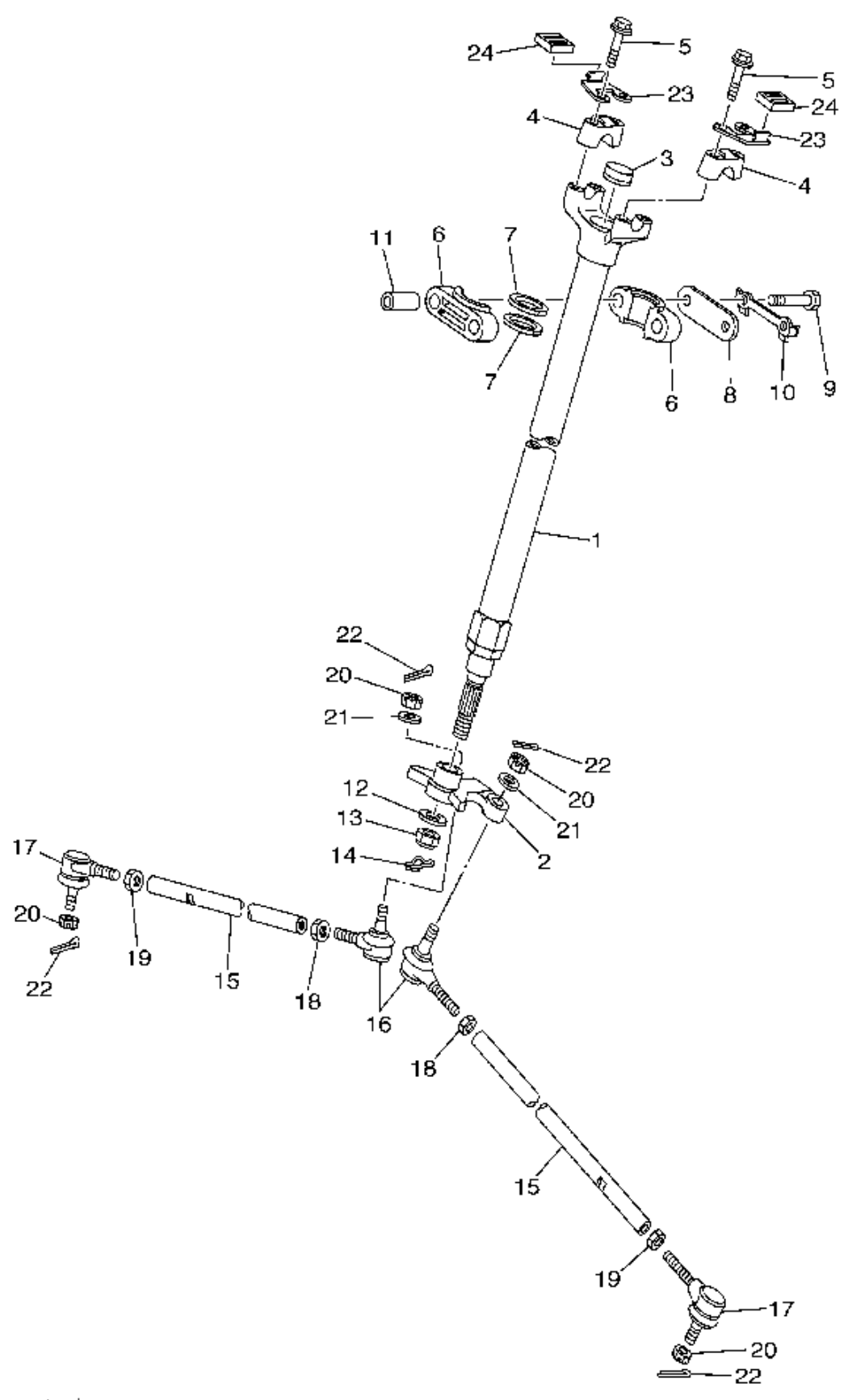


FOR RW

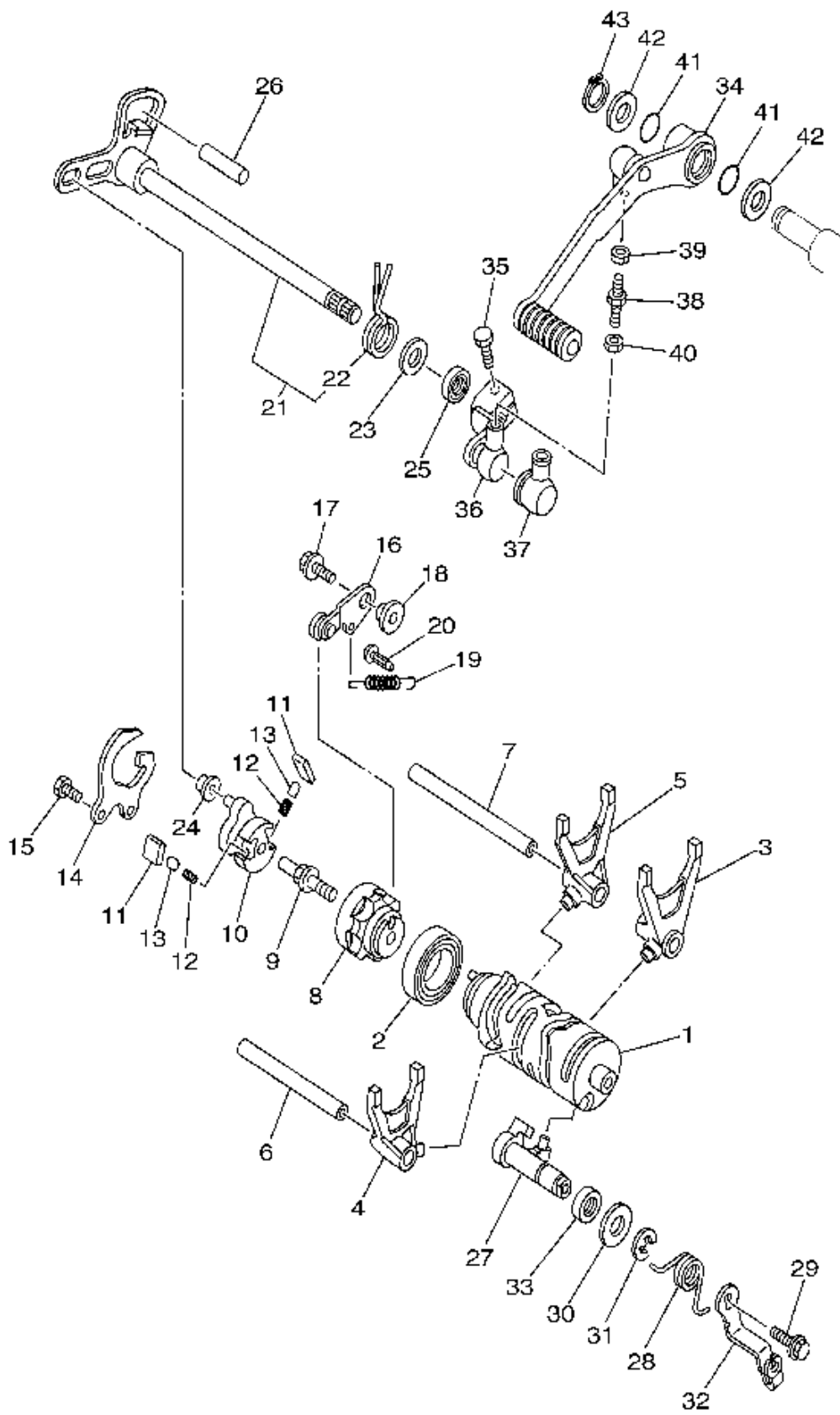
Ref.	Part No.	EMBLEM LABEL 1 DESCRIPTION	REQ	Price Each
1	5LP-21565-00-00	EMBLEM, 2 (UR DEEP PURPLISH BLUE) (U49)	1	\$1.42
	5LP-21565-10-00	EMBLEM, 2 (UR RADICAL WHITE) (U49)	1	\$2.47
2	5LP-21570-01-00	GRAPHIC SET, FRONT FENDER (UR DEEP PURPLISH BLUE) (U49)	1	\$27.20
	5LP-21570-11-00	GRAPHIC SET, FRONT FENDER (UR RADICAL WHITE) (U49)	1	\$107.36
3	3GD-2153E-00-00	EMBLEM, YAMAHA (UR DEEP PURPLISH BLUE) (U49)	2	\$3.46
	3GD-2153E-10-00	EMBLEM, YAMAHA (UR RADICAL WHITE) (U49)	2	\$2.16
4	8AC-2414B-01-00	EMBLEM	1	\$12.58
5	5FE-21697-01-00	LABEL, CAUTION 2 (U49)	1	\$9.02
6	90267-32004-00	RIVET, BLIND (U49)	4	\$0.24
7	90201-03313-00	WASHER, PLATE (U49)	4	\$1.60
8	5FE-21568-01-00	LABEL, WARNING (U49)	1	\$17.83
9	90267-32004-00	RIVET, BLIND (U49)	6	\$0.24
10	90201-03313-00	WASHER, PLATE (U49)	6	\$1.60
11	5LP-21609-01-00	EMBLEM (UR DEEP PURPLISH BLUE) (U49)	2	\$8.84
	5LP-21609-11-00	EMBLEM (UR RADICAL WHITE) (U49)	2	\$8.16
12	5LP-2163G-02-00	EMBLEM 1 (FOR DEEP PURPLISH BLUE) (U49)	2	\$6.60
13	5LP-2165A-02-00	GRAPHIC SET, REAR FENDER (FOR RADICAL WHITE) (U49)	1	\$56.84
14	5LP-2163H-01-00	EMBLEM 2 (FOR DEEP PURPLISH BLUE) (U49)	2	\$4.44
15	5FE-2151H-01-00	LABEL 5 (U49)	1	\$8.71
16	90267-32004-00	RIVET, BLIND (U49)	4	\$0.24
17	90201-03313-00	WASHER, PLATE (U49)	4	\$1.60
18	5LP-21696-00-00	LABEL, CAUTION (U49)	1	\$13.28
19	90267-32004-00	RIVET, BLIND (U49)	4	\$0.24
20	90201-03313-00	WASHER, PLATE (U49)	4	\$1.60
21	3JM-2819R-00-00	TAG, WARNING (U49)	1	\$0.00



Ref.	Part No.	FRONT SUSPENSION WHEEL DESCRIPTION	REQ	Price Each
1	5LP-23570-00-00	FRONT LOWER ARM COMP (LEFT) (U49)	1	\$178.76
2	5LP-23580-00-00	FRONT LOWER ARM COMP (RIGHT) (U49)	1	\$178.76
3	5LP-23540-00-00	FRONT UPPER ARM COMP (LEFT) (U49)	1	\$197.08
4	5LP-23550-00-00	FRONT UPPER ARM COMP (RIGHT) (U49)	1	\$197.08
5	90381-15088-00	BUSH, SOLID (U49)	8	\$9.20
6	90381-15088-00	BUSH, SOLID (U49)	4	\$9.20
7	90387-101R3-00	COLLAR (U49)	4	\$5.93
8	90387-10002-00	COLLAR (U49)	2	\$15.62
9	1UY-23517-00-00	COVER, THRUST 1 (U49)	8	\$5.02
10	1UY-23517-00-00	COVER, THRUST 1 (U49)	4	\$5.02
11	90101-10743-00	BOLT (U49)	4	\$4.86
12	90105-10407-00	BOLT, WASHER BASED (U49)	2	\$6.43
13	90201-100F7-00	WASHER, PLATE (U49)	4	\$2.40
14	90201-100F7-00	WASHER, PLATE (U49)	2	\$2.40
15	90185-10120-00	NUT, SELF-LOCKING (U49)	4	\$3.92
16	90185-10120-00	NUT, SELF-LOCKING (U49)	2	\$3.92
17	93700-06M03-00	NIPPLE, GREASE (U49)	4	\$2.98
18	93700-06M03-00	NIPPLE, GREASE (U49)	2	\$2.98
19	5LP-23350-00-00	SHOCK ABSORBER ASSY (U49)	2	\$222.42
20	90105-10388-00	BOLT, WASHER BASED (U49)	4	\$2.80
21	90185-10091-00	NUT, SELF-LOCKING (U49)	4	\$3.64
22	5LP-23501-00-00	STEERING KNUCKLE ASSY (LEFT) (U49)	1	\$169.16
23	5LP-23502-00-00	STEERING KNUCKLE ASSY (RIGHT) (U49)	1	\$169.16
24	90171-10046-00	NUT, CASTLE (U49)	4	\$1.26
25	90209-10229-00	WASHER (U49)	4	\$1.10
26	91490-20025-00	PIN, COTTER (U49)	4	\$0.98
27	5LP-25875-00-00	HOLDER, BRAKE HOSE 1 (U49)	1	\$4.92
28	5LP-25876-00-00	HOLDER, BRAKE HOSE 2 (U49)	1	\$2.20
29	90105-06696-00	BOLT, FLANGE (U49)	2	\$1.29
30	90387-062M9-00	COLLAR (U49)	2	\$2.36

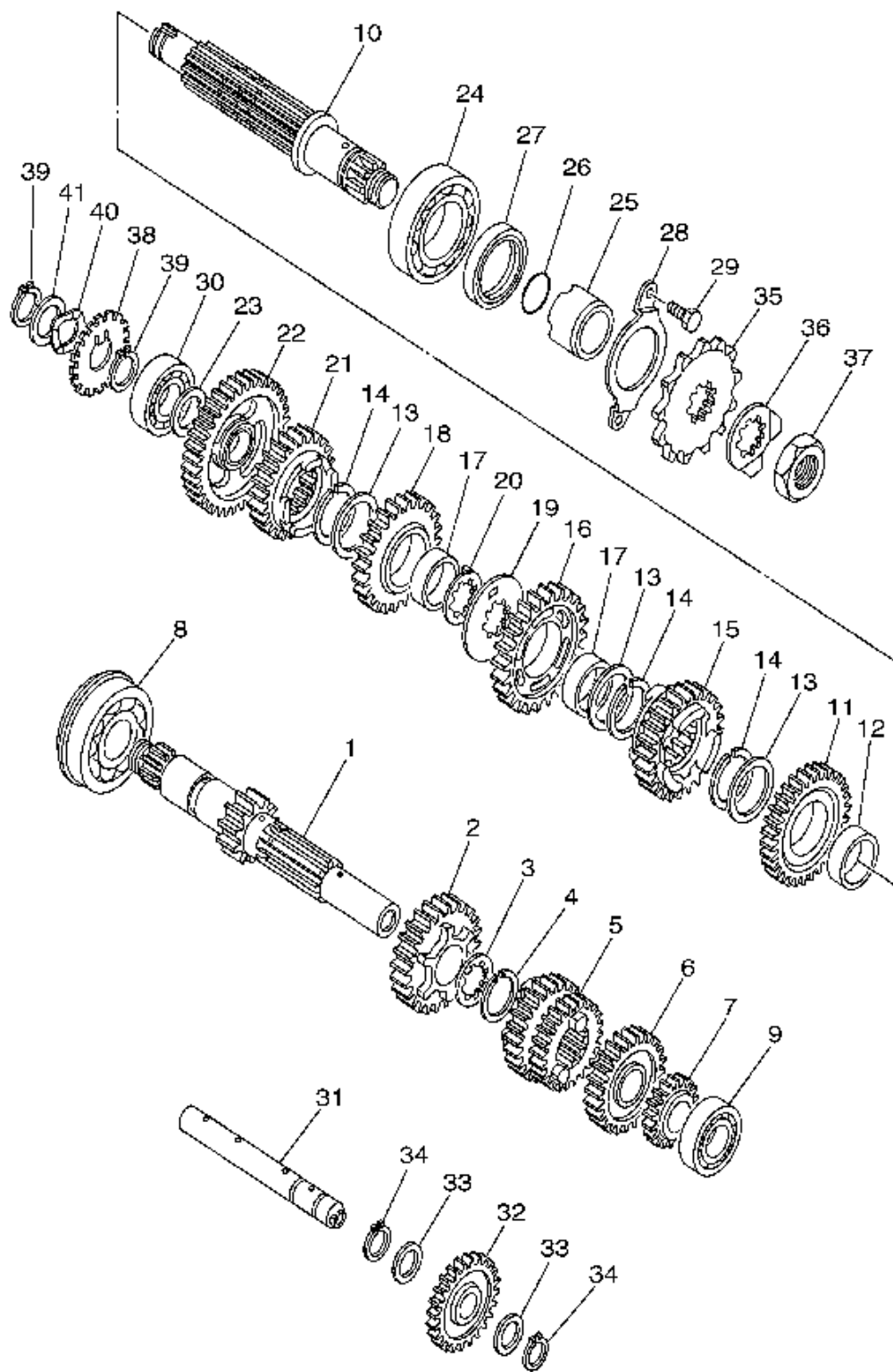


Ref.	Part No.	STEERING DESCRIPTION	REQ	Price Each
1	5LP-23813-00-00	COLUMN, STEERING 2 (U49)	1	\$100.12
2	5LP-23816-00-00	ARM, PITMAN (U49)	1	\$45.04
3	90336-28053-00	PLUG, TAPER (U49)	1	\$3.02
4	1E6-23441-00-00	HOLDER, HANDLE (U49)	2	\$15.99
5	95817-08035-00	BOLT, FLANGE (U49)	4	\$1.06
6	1UY-23812-00-00	PLANE BEARING, STEERING (U49)	2	\$7.68
7	93112-31011-00	OIL SEAL (U49)	2	\$2.36
8	3GD-23868-01-00	BRACKET, STEERING LOWER (U49)	1	\$3.56
9	97017-08060-00	BOLT (U49)	2	\$2.16
10	1UY-23894-01-00	WASHER, LOCK 1 (U49)	1	\$0.98
11	90387-106T4-00	COLLAR (U49)	2	\$3.88
12	90201-142M6-00	WASHER, PLATE (U49)	1	\$2.36
13	90185-14070-00	NUT, SELF-LOCKING (U49)	1	\$4.90
14	90468-16191-00	CLIP (U49)	1	\$2.16
15	5LP-23831-00-00	ROD, TIE (U49)	2	\$7.56
16	1UY-23841-01-00	JOINT, UNIVERSAL 1 (U49)	2	\$43.13
17	1UY-23845-01-00	JOINT, UNIVERSAL 2 (U49)	2	\$43.13
18	95317-10700-00	NUT (U49)	2	\$0.42
19	90170-10186-00	NUT (L.H. THREAD) (U49)	2	\$1.98
20	90171-10046-00	NUT, CASTLE (U49)	4	\$1.26
21	90209-10229-00	WASHER (U49)	2	\$1.10
22	91490-20025-00	PIN, COTTER (U49)	4	\$0.98
23	5LP-23881-00-00	BRACKET 1 (U49)	2	\$1.48
24	5LP-23858-00-00	SPACER (U49)	2	\$1.28



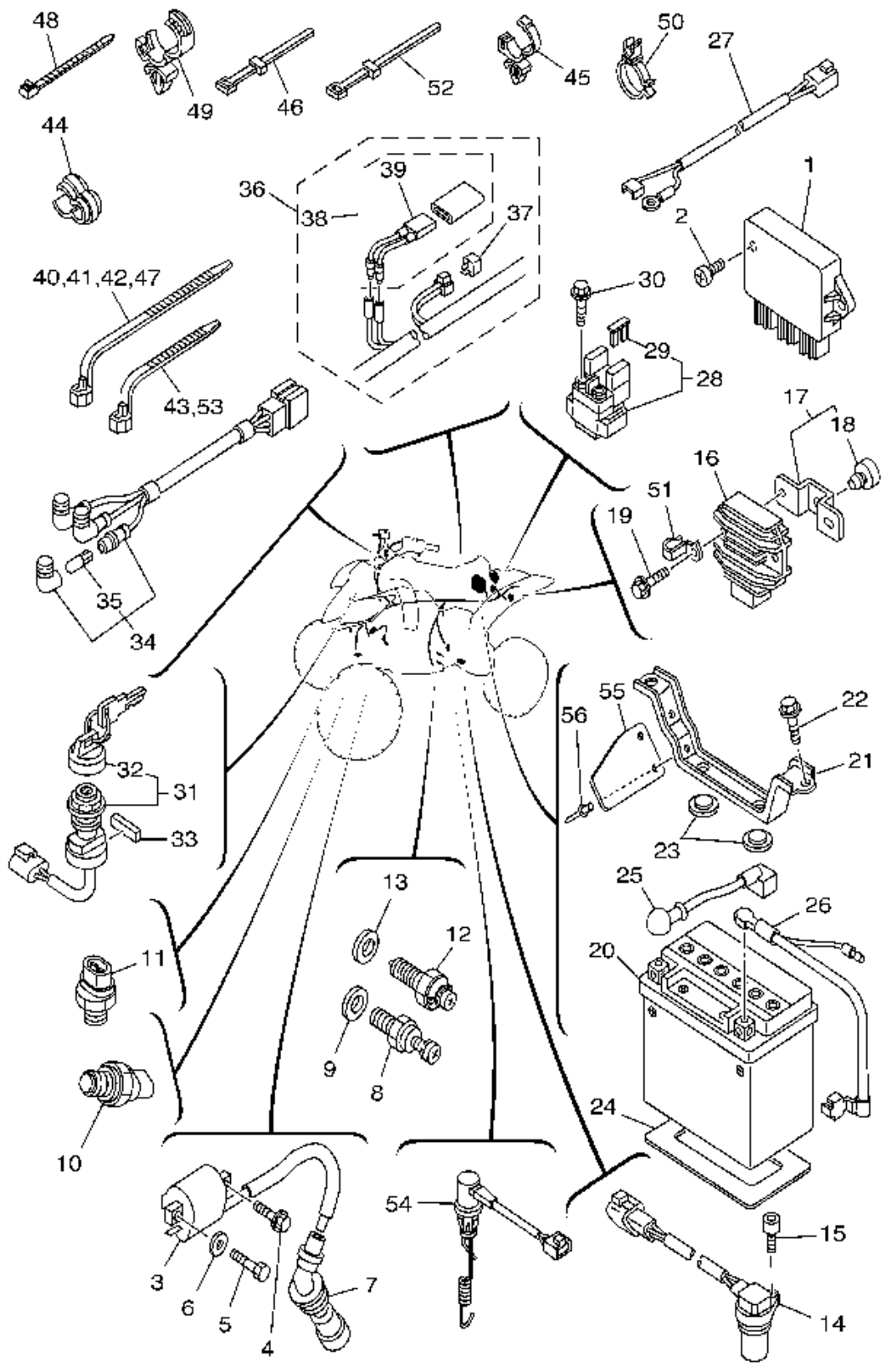
Ref.	Part No.	SHIFT CAM - FORK DESCRIPTION	REQ	Price Each
1	5LP-18541-00-00	CAM, SHIFT (U49)	1	\$49.20
2	93306-90501-00	BEARING (U49)	1	\$25.86
3	5LP-18511-00-00	FORK, SHIFT 1 (U49)	1	\$29.60
4	5LP-18512-00-00	FORK, SHIFT 2 (U49)	1	\$27.40
5	5LP-18513-00-00	FORK, SHIFT 3 (U49)	1	\$22.52
6	3GX-18531-00-00	BAR, SHIFT FORK GUIDE 1 (U49)	1	\$6.45
7	4TR-18535-00-00	BAR, SHIFT FORK GUIDE 2 (U49)	1	\$6.81
8	4EW-18185-00-00	SEGMENT (U49)	1	\$39.97
9	3XJ-18173-00-00	PIN, SHIFT (U49)	1	\$4.98
10	5LP-18122-00-00	LEVER, SHIFT 2 (U49)	1	\$27.92
11	3XJ-18182-00-00	PAWL, SHIFTER (U49)	2	\$4.40
12	90501-052G5-00	SPRING, COMPRESSION (U49)	2	\$0.45
13	3XJ-18184-00-00	PIN, PAWL (U49)	2	\$5.47
14	5LP-18172-00-00	GUIDE, SHIFT (U49)	1	\$5.20
15	97017-06012-00	BOLT (U49)	2	\$0.30
16	5LP-18140-00-00	STOPPER LEVER ASSY (U49)	1	\$5.96
17	90159-06078-00	SCREW, WITH WASHER (U49)	1	\$1.20
18	4NX-18175-00-00	SPACER (U49)	1	\$4.36
19	90506-14005-00	SPRING, TENSION (U49)	1	\$0.90
20	132-16346-00-00	HOOK, SPRING (U49)	1	\$1.90
21	5LP-18101-00-00	SHIFT SHAFT ASSY (U49)	1	\$25.48
22	90508-35007-00	...SPRING, TORSION (U49)	1	\$2.04
23	90201-12474-00	WASHER, PLATE (U49)	1	\$0.75
24	3XJ-18178-00-00	ROLLER, SHIFT LEVER (U49)	1	\$3.79
25	93102-12321-00	OIL SEAL (SD 12-22-5 HS) (U49)	1	\$4.13
26	93608-33046-00	PIN, DOWEL (U49)	1	\$3.60
27	5LP-18380-00-00	SHIFTER BRKTASSY (U49)	1	\$35.32
28	5LP-18337-00-00	SPRING (U49)	1	\$0.96
29	95817-06012-00	BOLT, FLANGE (U49)	1	\$0.84
30	90201-12575-00	WASHER, PLATE (U49)	1	\$2.20
31	99006-10600-00	CIRCLIP (U49)	1	\$0.98
32	5LP-18431-00-00	BRACKET, SHIFTER (U49)	1	\$3.24
33	93102-12321-00	OIL SEAL (SD 12-22-5 HS) (U49)	1	\$4.13
34	5LP-18110-00-00	SHIFT PEDAL ASSY (U49)	1	\$37.68
35	97017-06020-00	BOLT (U49)	1	\$0.32
36	5LP-18112-00-00	ARM, SHIFT (U49)	1	\$26.36

37	2H9-18154-00-00	COVER, DUST (U49)	1	\$5.47
38	2KW-18115-00-00	ROD, SHIFT (U49)	1	\$12.55
39	90170-06228-00	NUT (COUNTER CLOCKWISE) (U49)	1	\$0.75
40	95380-06700-00	NUT (U49)	1	\$0.12
41	93210-15566-00	O-RING (U49)	2	\$1.26
42	90201-15797-00	WASHER, PLATE (U49)	2	\$0.75
43	93430-12008-00	CIRCLIP (U49)	1	\$2.76



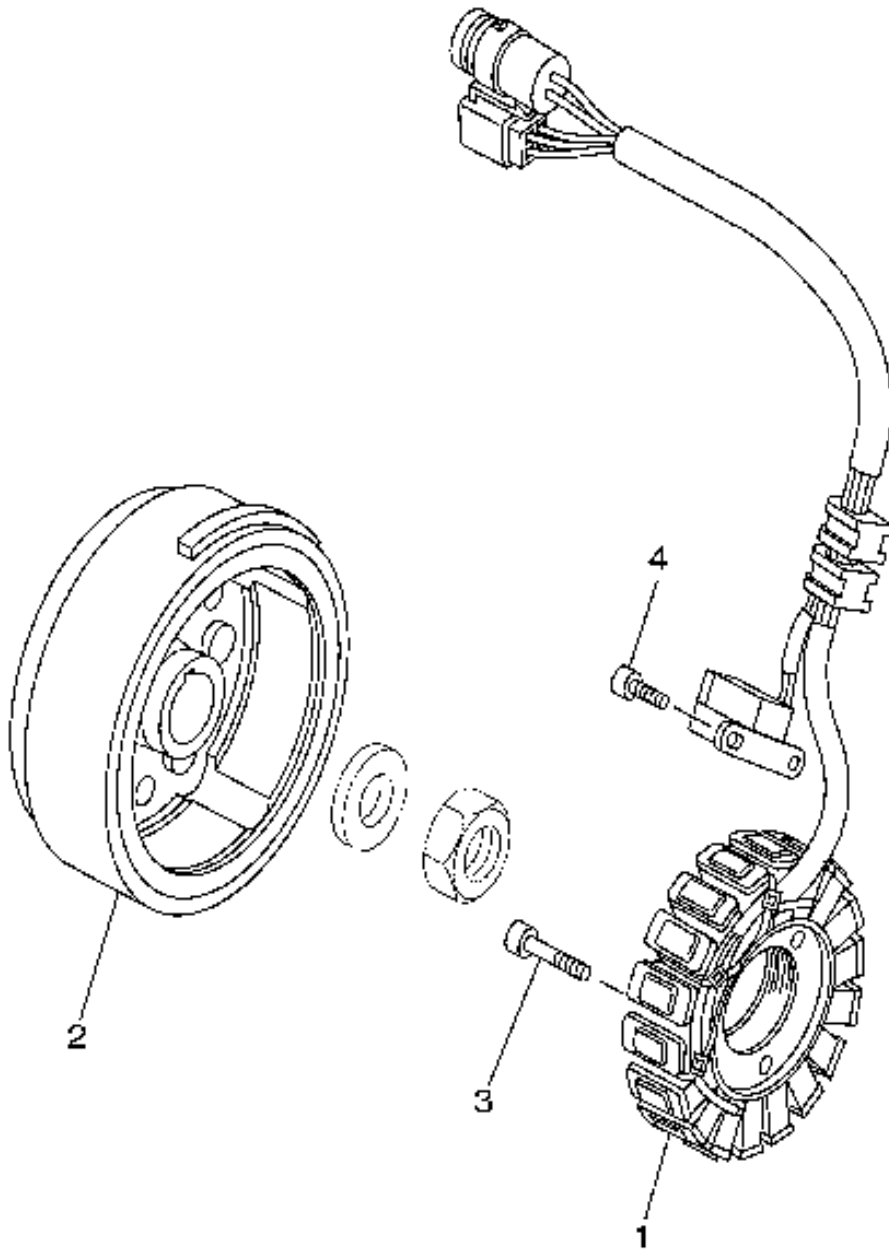
Ref.	Part No.	TRANSMISSION DESCRIPTION	REQ	Price Each
1	5LP-17411-00-00	AXLE, MAIN (14T) (U49)	1	\$66.00
2	5LP-17151-00-00	GEAR, 5TH PINION (21T) (U49)	1	\$38.80
3	90209-21332-00	WASHER (U49)	1	\$3.56
4	93440-25084-00	CIRCLIP (U49)	1	\$3.81
5	5LP-17121-00-00	GEAR, 2ND PINION (19/21T) (U49)	1	\$55.40
6	5LP-17141-00-00	GEAR, 4TH PINION (21T) (U49)	1	\$34.40
7	5LP-17143-00-00	GEAR, REVERSE PINION 1 (U49)	1	\$23.12
8	93306-30540-00	BEARING (6305NRX1C3) (U49)	1	\$29.09
9	93306-00427-00	BEARING (U49)	1	\$11.63
10	5LP-17421-00-00	AXLE, DRIVE (U49)	1	\$87.04
11	5LP-17243-00-00	GEAR, REVERSE WHEEL 1 (28T) (U49)	1	\$25.36
12	90387-2813C-00	COLLAR (U49)	1	\$6.19
13	90209-25342-00	WASHER (U49)	3	\$2.20
14	93440-28062-00	CIRCLIP (U49)	3	\$2.60
15	5LP-17241-00-00	GEAR, 4TH WHEEL (22T) (U49)	1	\$38.52
16	5LP-17221-00-00	GEAE, 2ND WHEEL (29T) (U49)	1	\$24.72
17	90387-2813D-00	COLLAR (U49)	2	\$9.39
18	5LP-17231-00-00	GEAE, 3RD WHEEL (26T) (U49)	1	\$29.64
19	90209-25349-00	WASHER (U49)	1	\$5.14
20	90209-25350-00	WASHER (U49)	1	\$4.56
21	5LP-17251-00-00	GEAE, 5TH WHEEL (19T) (U49)	1	\$37.68
22	5LP-17211-00-00	GEAE, 1ST WHEEL (34T) (U49)	1	\$34.16
23	90201-20276-00	WASHER, PLATE (1.0T) (U49)	1	\$3.10
24	93306-30535-00	BEARING (U49)	1	\$48.51
25	90387-2505V-00	COLLAR (U49)	1	\$11.31
26	93210-22298-00	O-RING (U49)	1	\$3.88
27	93102-35393-00	OIL SEAL (U49)	1	\$4.13
28	5LP-17471-00-00	PLATE, COVER (U49)	1	\$2.16
29	97017-06014-00	BOLT (U49)	2	\$0.20
30	93306-00423-00	BEARING (U49)	1	\$10.50
31	5LP-17432-00-00	AXLE, IDLE (U49)	1	\$19.64
32	5LP-17281-00-00	GEAE, DRIVE 1 (23T) (U49)	1	\$31.80
33	90201-150U6-00	WASHER, PLATE (U49)	2	\$3.29
34	93440-15012-00	CIRCLIP (U49)	2	\$2.20
35	9383E-13216-00	SPROCKET, DRIVE (13T) (U49)	1	\$16.62
36	90215-21256-00	WASHER, LOCK (U49)	1	\$3.88
37	90179-18020-00	NUT (U49)	1	\$3.88
38	5LP-17446-00-00	PLATE (U49)	1	\$2.52

39	99009-20400-00	CIRCLIP (U49)	2	\$1.26
40	90206-20037-00	WASHER, WAVE (U49)	1	\$3.92
41	90201-20276-00	WASHER, PLATE (1.0T) (U49)	1	\$3.10

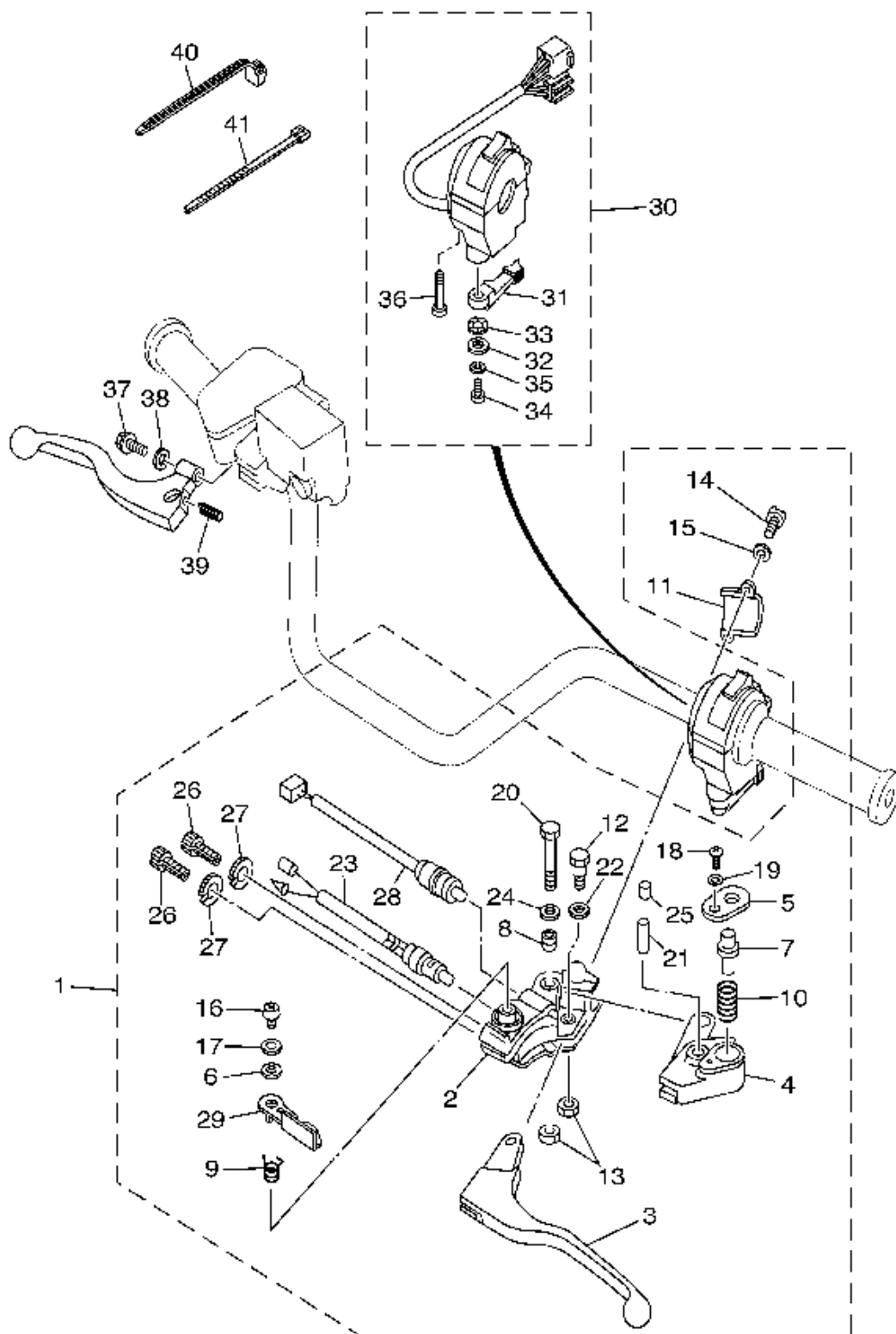


Ref.	Part No.	ELECTRICAL 1 DESCRIPTION	REQ	Price Each
1	5LP-85540-00-00	C.D.I UNIT ASSY (U49) (5LP1)	1	\$292.04
	5LP-85540-10-00	C.D.I UNIT ASSY (CA) (5LP3)	1	\$292.04
2	98907-06016-00	SCREW, BIND (U49)	2	\$0.64
3	3KJ-82310-10-00	IGNITION COIL ASSY (U49)	1	\$26.13
4	90109-06723-00	BOLT (U49)	1	\$0.80
5	97007-06020-00	BOLT (U49)	1	\$0.61
6	92907-06600-00	WASHER, PLATE (U49)	1	\$0.30
7	3YF-82370-00-00	PLUG CAP ASSY (U49)	1	\$25.76
8	5LP-82540-00-00	NEUTRAL SWITCH ASSY (U49)	1	\$13.12
9	90430-10027-00	GASKET (U49)	1	\$1.26
10	5GH-82560-00-00	THERMOSWITCH ASSY (U49)	1	\$22.03
11	5LP-82560-00-00	THERMOSWITCH ASSY (U49)	1	\$22.68
12	4GY-82540-10-00	NEUTRAL SWITCH ASSY (U49)	1	\$10.30
13	90430-10027-00	GASKET (U49)	1	\$1.26
14	5LP-83755-00-00	SENSOR, SPEED (U49)	1	\$77.44
15	91317-06016-00	BOLT, HEXAGON SOCKET HEAD (U49)	1	\$0.46
16	5GT-81960-00-00	RECTIFIER & REGULATOR ASSY (U49)	1	\$91.73
17	5LP-82588-00-00	PLATE (U49)	1	\$5.36
18	22W-24741-00-00	...PAD, SEAT (U49)	1	\$2.50
19	95817-06025-00	BOLT, FLANGE (U49)	2	\$0.86
20	BTY-YTX14-BS-00	BATTERY ASSY (YTX14-BS) (U49)	1	\$69.95
21	5LP-82128-00-00	BRACKET, BATTERY (U49)	1	\$11.44
22	95817-06016-00	BOLT, FLANGE (U49)	2	\$0.78
23	371-82121-00-00	PAD, BATTERY (U49)	2	\$2.60
24	5LP-82122-00-00	SEAT, BATTERY (U49)	1	\$3.92
25	5LP-82115-00-00	WIRE, PLUS LEAD (U49)	1	\$13.64
26	5LP-82116-00-00	WIRE, MINUS LEAD (U49)	1	\$14.92
27	5LP-82541-00-00	WIRE, LEAD (U49)	1	\$7.48
28	4XE-81940-00-00	STARTER RELAY ASSY (U49)	1	\$28.18
29	2GV-82151-00-00	...FUZE (20A-BL) (U49)	2	\$1.58
30	95027-06008-00	BOLT, FLANGE (U49)	2	\$0.30
31	5LP-82510-00-00	MAIN SWITCH ASSY (U49)	1	\$43.76
32	3HN-82579-00-00	...CAP, KEY (U49)	1	\$4.20
33	5LP-82176-00-00	DAMPER (U49)	1	\$0.16
34	5LP-83530-00-00	PILOT LIGHT ASSY (U49)	1	\$17.84
35	3FV-83517-00-00	...BULB (14V-1.7W) (U49)	3	\$4.08
36	5LP-82590-00-00	WIRE HARNESS ASSY (U49)	1	\$225.95
37	3WP-81980-00-00	...DIODE ASSY (U49)	1	\$6.51
38	5GT-82180-00-00	...CIRCUIT BREAKER ASSY (U49)	1	\$11.53

39	5GT-82560-00-00THERMOSWITCH ASSY (U49)	1	\$10.09
40	90464-15195-00	CLAMP (U49)	1	\$1.48
41	90464-15195-00	CLAMP (U49)	2	\$1.48
42	90464-15195-00	CLAMP (U49)	2	\$1.48
43	90464-13073-00	CLAMP (U49)	1	\$1.61
44	90464-15065-00	CLAMP (U49)	3	\$2.33
45	90464-20181-00	CLAMP (U49)	1	\$0.72
46	437-83936-01-00	BAND, SWITCH CORD (U49)	1	\$0.50
47	90464-15195-00	CLAMP (U49)	1	\$1.48
48	90465-13M11-00	CLAMP (U49)	1	\$1.20
49	90464-07209-00	CLAMP (U49)	1	\$0.57
50	90464-20001-00	CLAMP (U49)	1	\$1.12
51	90465-08277-00	CLAMP (U49)	1	\$3.92
52	437-83936-11-00	BAND, SWITCH CORD (U49)	1	\$2.89
53	90464-13073-00	CLAMP (U49)	1	\$1.61
54	5LP-82530-00-00	STOP SWITCH ASSY (U49)	1	\$18.52
55	5LP-82129-00-00	COVER, BATTERY (U49)	1t	\$0.92
56	90267-48120-00	RIVET, BLIND (U49)	2	\$0.54

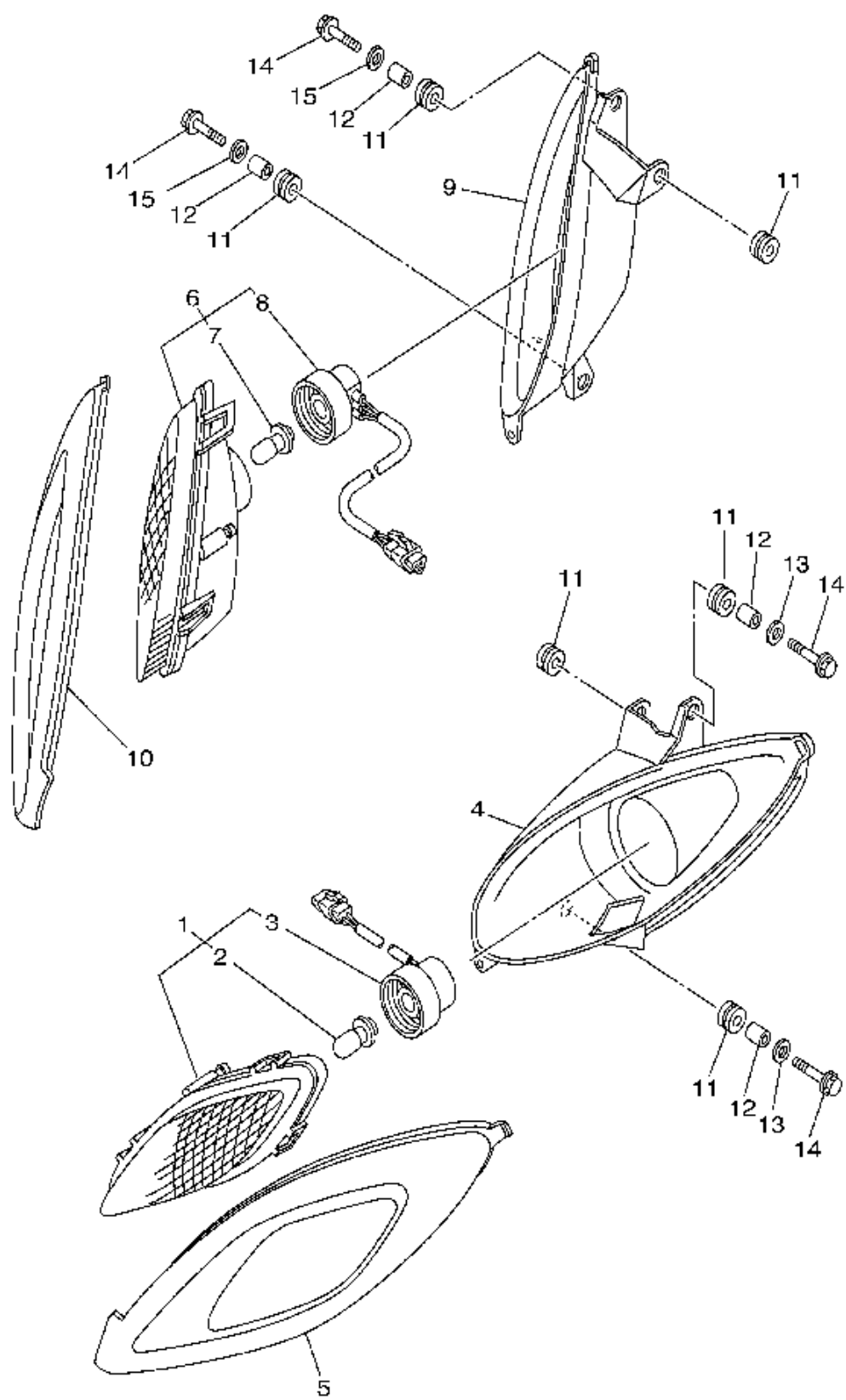


Ref.	Part No.	GENERATOR DESCRIPTION	REQ	Price Each
1	5LP-81410-00-00	STATOR ASSY (U49)	1	\$222.78
2	5LP-81450-00-00	ROTOR ASSY (U49)	1	\$170.00
3	91317-05025-00	BOLT (U49)	3	\$0.52
4	91317-05012-00	BOLT (U49)	2	\$0.86

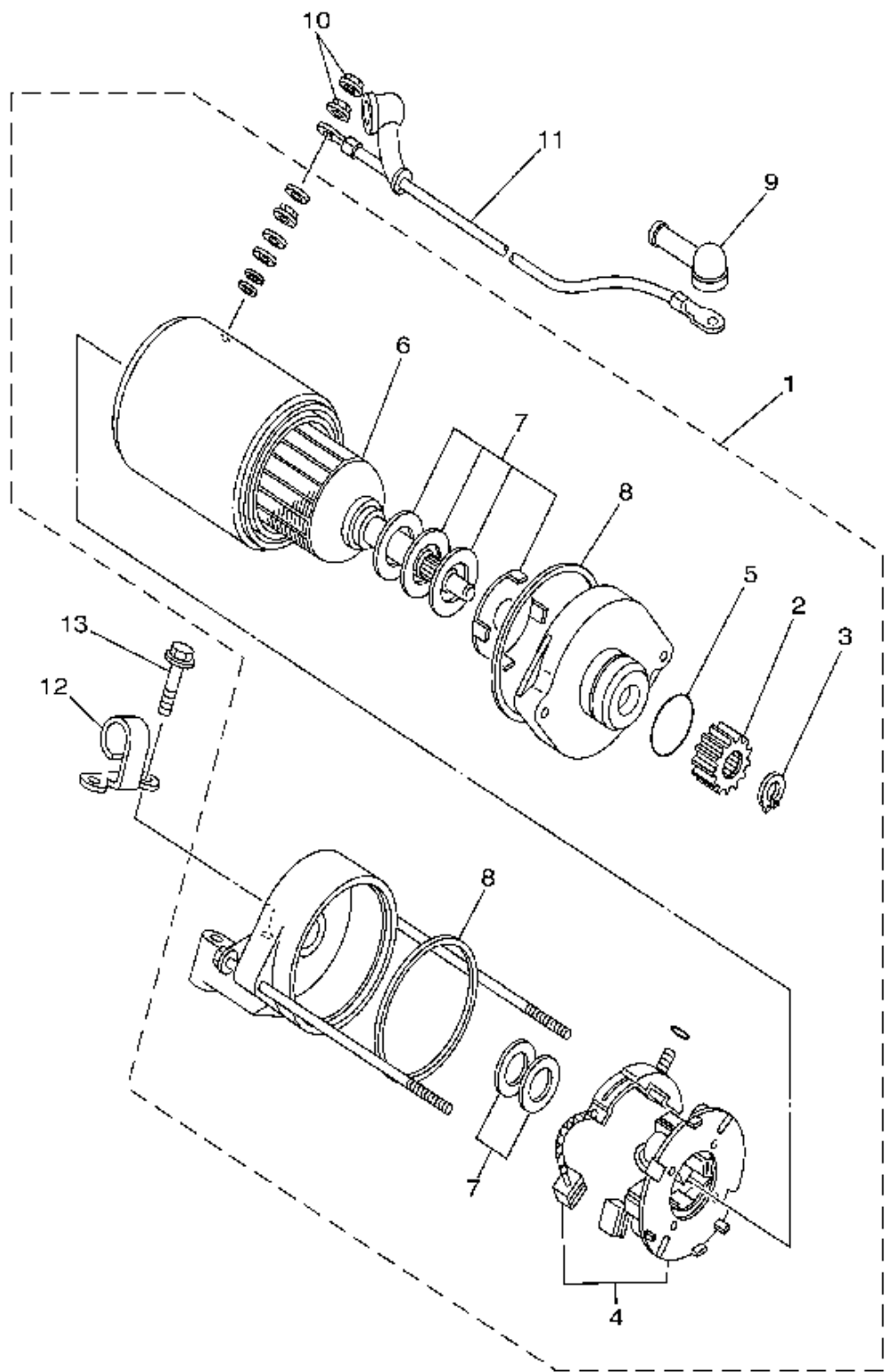


Ref.	Part No.	HANDLE SWITCH LEVER DESCRIPTION	REQ	Price Each
1	5LP-82910-00-00	LEVER HOLDER ASSY (LEFT) (U49)	1	\$83.64
2	4KB-82911-00-00	...HOLDER, LEVER 1 (U49)	1	\$23.14
3	5LP-83912-00-00	...LEVER 1 (U49)	1	\$13.96
4	1UY-83922-01-00	...LEVER 2 (U49)	1	\$11.30
5	1UY-83935-00-00	...COVER (U49)	1	\$3.30
6	1UY-83909-00-00	...WASHER, SPECIAL (U49)	1	\$1.60
7	1UY-83967-00-00	...PIN, LOCK 1 (U49)	1	\$6.72
8	1UY-83913-00-00	...COLLAR, LEVER 1 (U49)	1	\$2.60
9	1UY-83966-00-00	...SPRING, RETURN (U49)	1	\$4.50
10	1UY-83962-00-00	...SPRING (U49)	1	\$0.45
11	2XJ-82913-00-00	...HOLDER, LEVER LOWER 1 (U49)	1	\$8.63
12	90109-06797-00	...BOLT (U49)	1	\$2.80
13	95617-06100-00	...NUT, U (U49)	2	\$0.75
14	97017-06025-00	...BOLT (U49)	2	\$0.35
15	92907-06600-00	...WASHER, PLATE (U49)	2	\$0.30
16	98517-05010-00	...SCREW, PAN HEAD (U49)	1	\$0.15
17	92907-05600-00	...WASHER, PLATE (U49)	1	\$0.40
18	98517-03008-00	...SCREW, PAN HEAD (U49)	1	\$0.58
19	92907-03600-00	...WASHER (U49)	1	\$0.30
20	97017-06040-00	...BOLT (U49)	1	\$0.40
21	91690-40022-00	...PIN, SPRING (U49)	1	\$2.36
22	90201-08083-00	...WASHER, PLATE (U49)	1	\$0.75
23	1YW-83980-00-00	...SWITCH (U49)	1	\$24.19
24	92907-06200-00	...WASHER (U49)	1	\$0.40
25	1UY-83956-00-00	...CAP 1 (U49)	1	\$3.30
26	90123-08046-00	...BOLT (U49)	2	\$3.93
27	90179-08148-00	...NUT (U49)	2	\$3.10
28	4KB-82917-00-00	...SWITCH (U49)	1	\$28.39
29	4KB-W8393-00-00	...LOCK, LEVER ASSY (U49)	1	\$10.92
30	5LP-83973-01-00	SWITCH, HANDLE 3 (U49)	1	\$86.20
31	5GH-83941-00-00	...LEVER, STARTER (U49)	1	\$3.81
32	1UY-83909-00-00	...WASHER, SPECIAL (U49)	1	\$1.60
33	3L4-83943-00-00	...WASHER, STARTER (U49)	1	\$1.60
34	98517-05012-00	...SCREW, PAN HEAD (U49)	1	\$0.30
35	92907-05100-00	...WASHER, SPRING (U49)	1	\$0.40
36	98507-05030-00	...SCREW, PAN HEAD (U49)	2	\$0.61

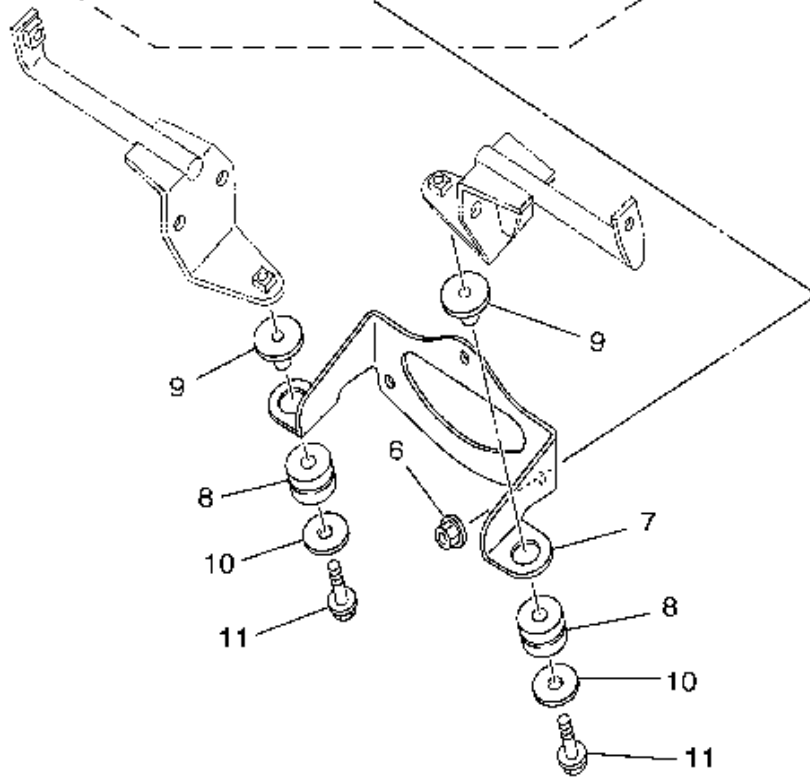
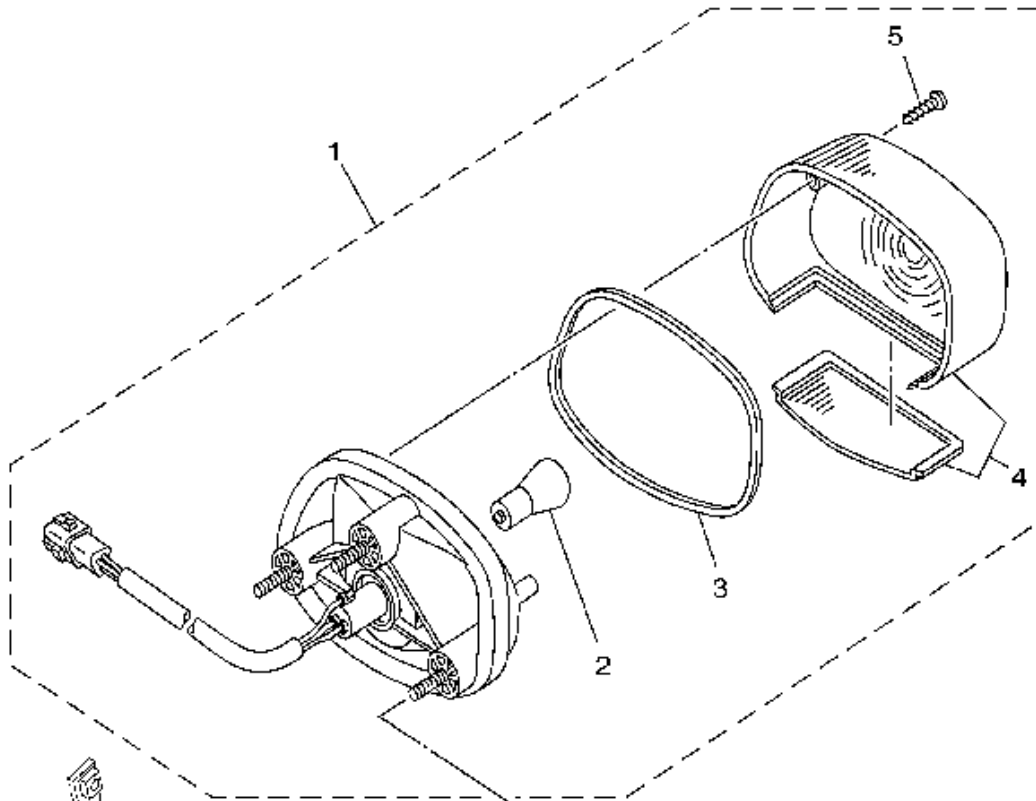
37	90149-06131-00	SCREW (U49)	1	\$1.60
38	90170-06010-00	NUT (U49)	1	\$2.20
39	90501-10312-00	SPRING, COMPRESSION (U49)	1	\$1.98
40	90464-13073-00	CLAMP (U49)	1	\$1.61
41	437-83936-01-00	BAND, SWITCH CORD (U49)	1	\$0.50



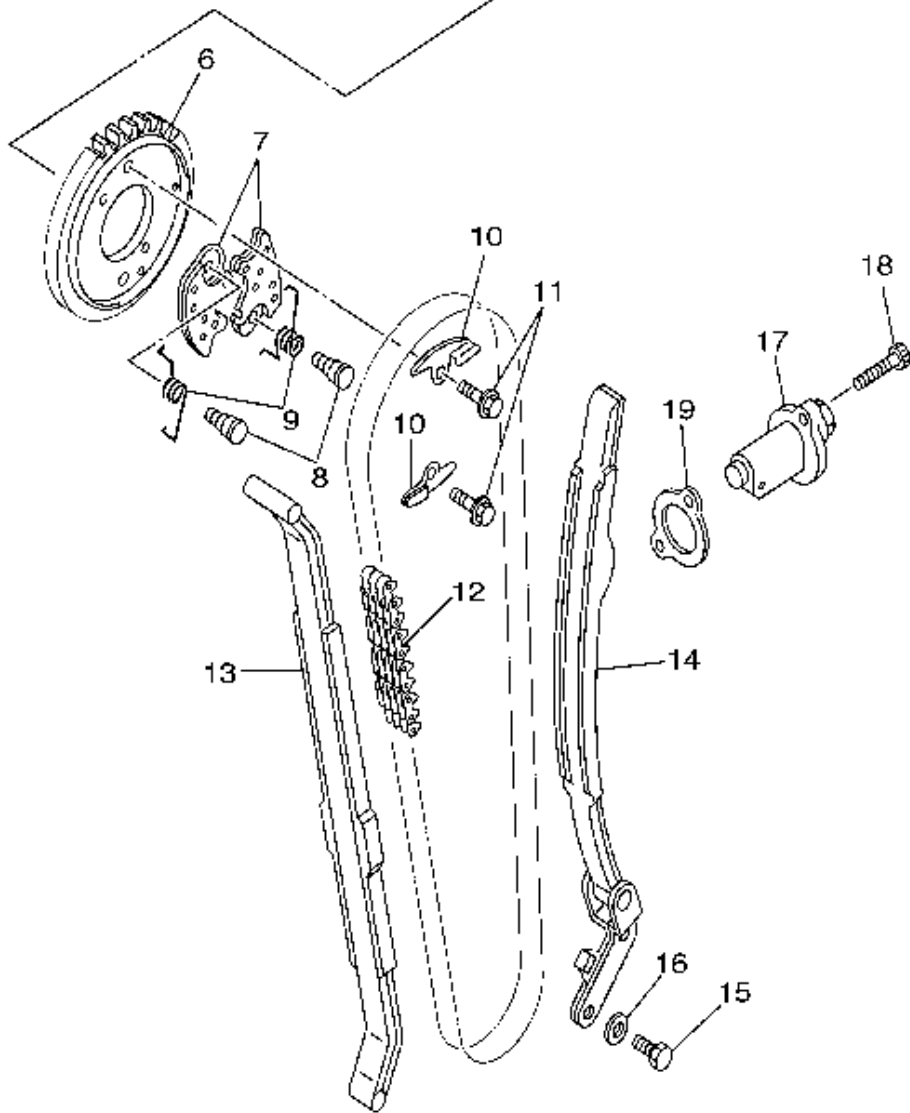
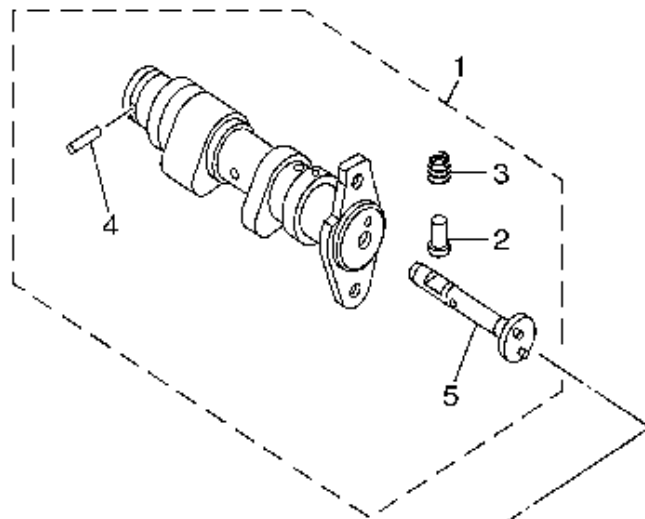
Ref.	Part No.	HEADLIGHT DESCRIPTION	REQ	Price Each
1	5LP-84310-00-00	HEADLIGHT UNIT ASSY (U49)	1	\$63.63
2	4KB-84314-00-00	...BULB (12V30/30W) (U49)	1	\$9.99
3	5LP-84340-00-00	...SOCKET CORD ASSY 1 (U49)	1	\$22.12
4	5LP-84111-00-00	BODY, HEADLIGHT (U49)	1	\$6.45
5	5LP-8411G-00-00	RIM (U49)	1	\$8.04
6	5LP-84310-10-00	HEADLIGHT UNIT ASSY (U49)	1	\$61.13
7	4KB-84314-00-00	...BULB (12V30/30W) (U49)	1	\$9.99
8	5LP-84340-00-00	...SOCKET CORD ASSY 1 (U49)	1	\$22.12
9	5LP-84111-10-00	BODY, HEADLIGHT (U49)	1	\$7.22
10	5LP-8411G-10-00	RIM (U49)	1	\$9.00
11	90480-14023-00	GROMMET (U49)	6	\$1.26
12	90560-07007-00	COLLAR (U49)	4	\$0.75
13	90201-065F3-00	WASHER, PLATE (U49)	2	\$1.26
14	95817-06025-00	BOLT, FLANGE (U49)	4	\$0.86
15	90201-065F3-00	WASHER, PLATE (U49)	2	\$1.26



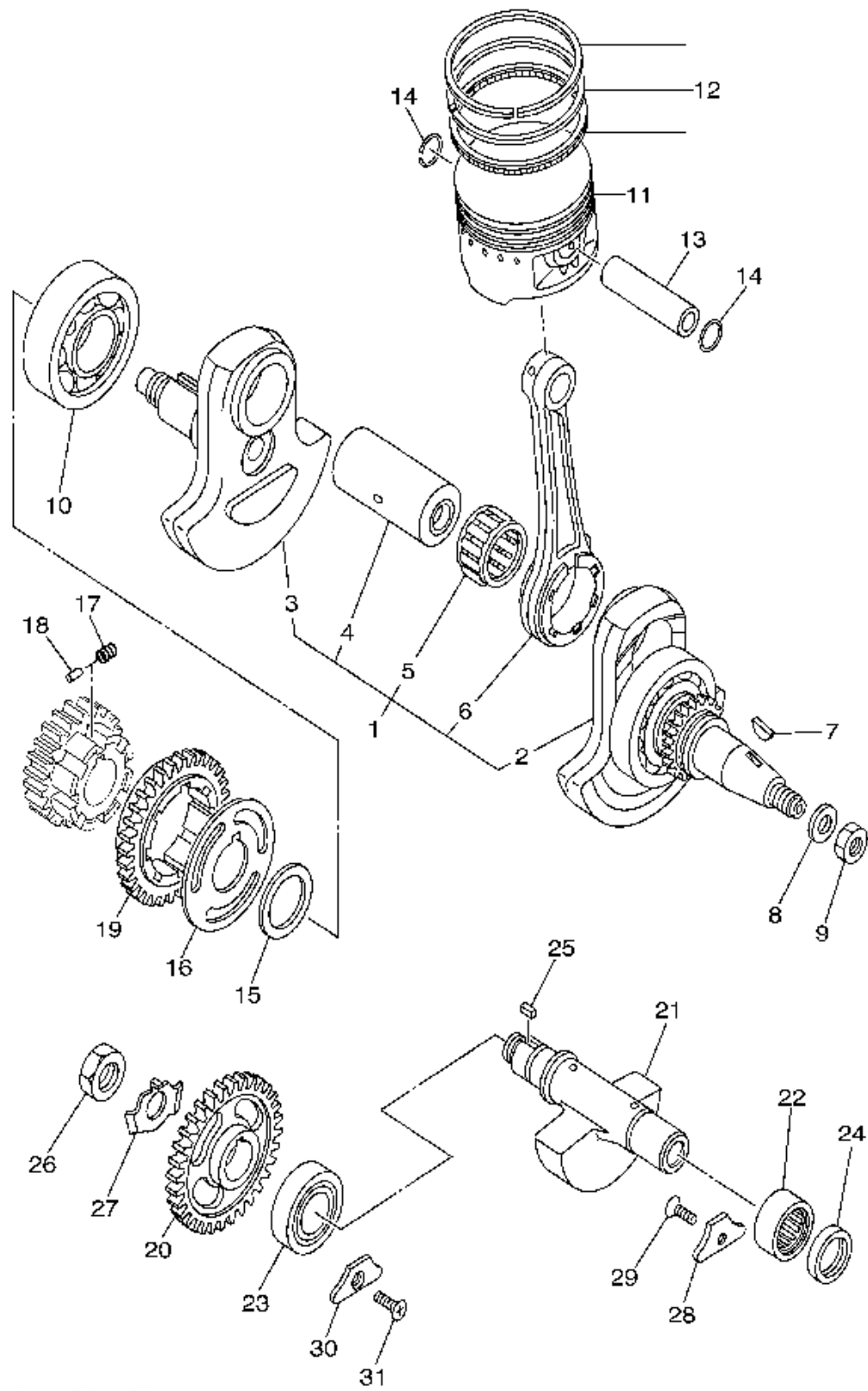
Ref.	Part No.	STARTING MOTOR DESCRIPTION	REQ	Price Each
1	3SX-81890-00-00	MOTOR ASSY (U49)	1	\$235.34
2	1VJ-15511-00-00	...GEAR, STARTING MOTOR (U49)	1	\$39.00
3	93440-11024-00	...CIRCLIP (U49)	1	\$2.10
4	3AJ-81801-00-00	...BRUSH SET (U49)	1	\$64.16
5	93210-24235-00	...O-RING (U49)	1	\$2.58
6	3AJ-81850-00-00	...ARMATURE ASSY (U49)	1	\$258.28
7	3AJ-81809-00-00	...WASHER KIT (U49)	1	\$4.83
8	11H-81844-00-00	...GASKET (U49)	2	\$15.78
9	5H0-81871-00-00	CAP (U49)	1	\$9.67
10	4XV-8182A-00-00	NUT (U49)	2	\$0.71
11	3XF-81815-00-00	CORD, STARTER MOTOR (U49)	1	\$35.48
12	5LP-26393-00-00	HOLDER (U49)	1	\$2.52
13	95817-06030-00	BOLT, FLANGE (U49)	2	\$0.58



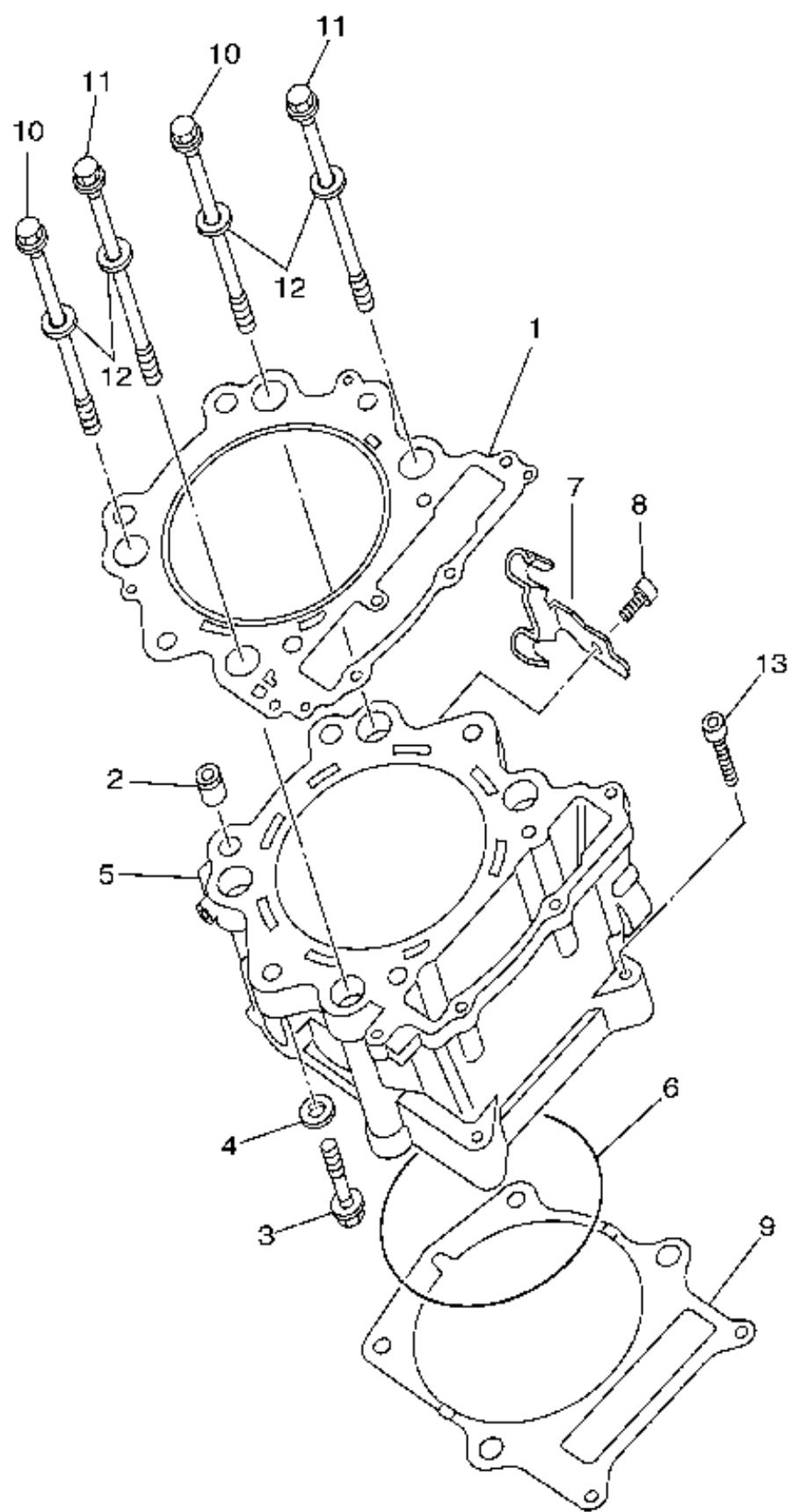
Ref.	Part No.	TAILLIGHT 1 DESCRIPTION	REQ	Price Each
1	5LP-84700-00-00	TAILLIGHT ASSY (U49)	1	\$32.70
2	256-84714-61-00	...BULB (12V-21/5W) (U49)	1	\$6.06
3	4TX-84723-00-00	...GASKET, TAIL LENS (U49)	1	\$1.53
4	4TR-84733-00-00	...LENS, TAILLIGHT (U49)	1	\$8.05
5	97707-40620-00	...SCREW, TAPPING (U49)	2	\$0.58
6	95707-06500-00	NUT, FLANGE (U49)	3	\$0.40
7	5LP-84702-00-00	BRACKET, TAILLIGHT (U49)	1	\$5.52
8	90480-15528-00	GROMMET (U49)	2	\$3.22
9	90387-075H4-00	COLLAR (U49)	2	\$3.22
10	90201-06074-00	WASHER, PLATE (U49)	2	\$0.75
11	95817-06030-00	BOLT, FLANGE (U49)	2	\$0.58



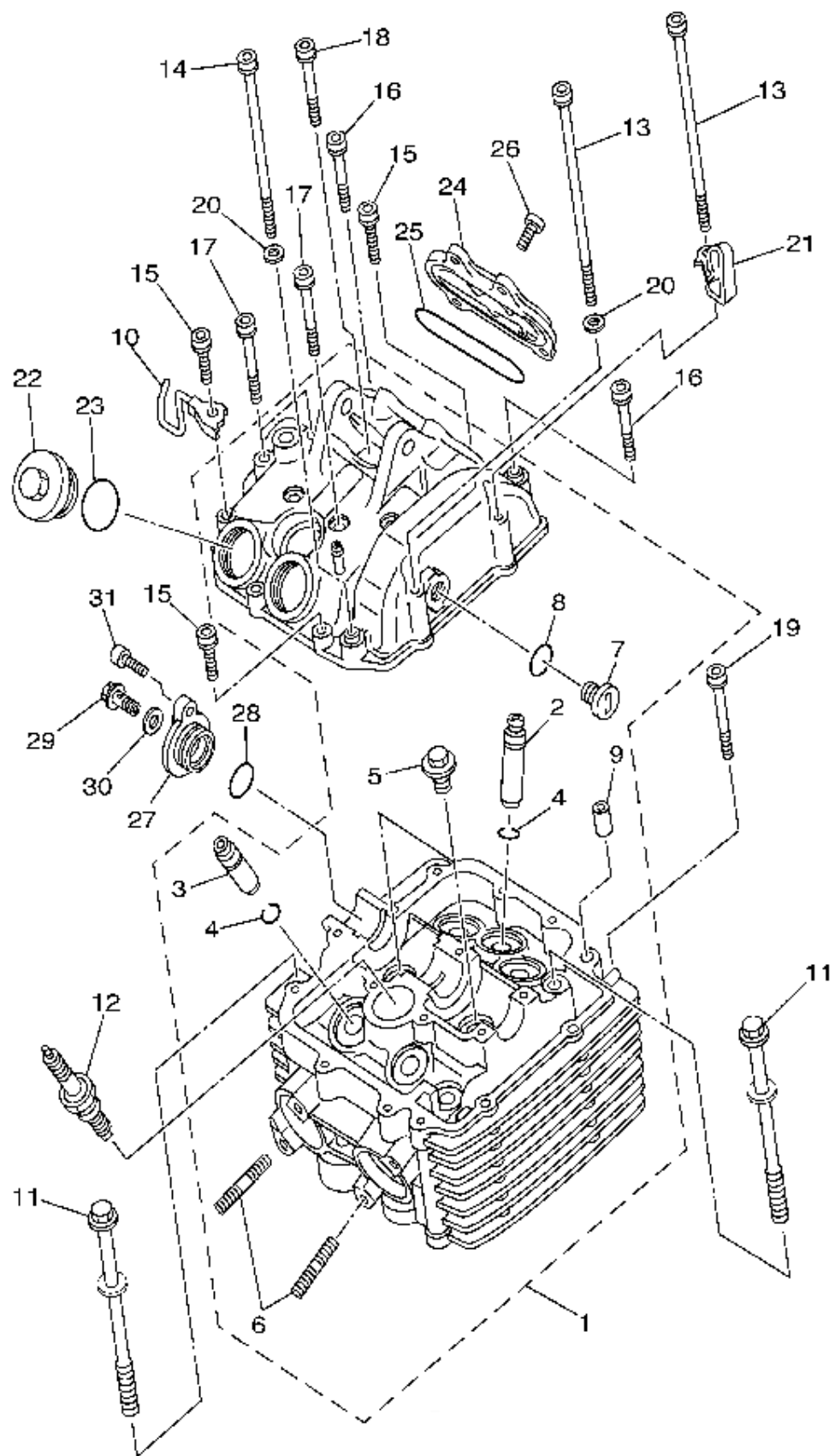
Ref.	Part No.	CAMSHAFT - CHAIN DESCRIPTION	REQ	Price Each
1	5LP-12170-00-00	CAMSHAFT ASSY 1 (U49)	1	\$185.28
2	3YF-12284-00-00	...PIN, DECOMPRESSION LEVER (U49)	1	\$4.25
3	90501-05001-00	...SPRING, COMPRESSION (U49)	1	\$0.16
4	93603-21180-00	...PIN, DOWEL (U49)	1	
5	3YF-12290-00-00	...LEVER, DECOMPRESSION SPRING (U49)	1	\$27.36
6	3YF-12176-00-00	SPROCKET, CAM CHAIN (U49)	1	\$30.59
7	3YF-12288-00-00	CAM, DECOMPRESSION (U49)	2	\$9.84
8	3YF-12247-00-00	SHAFT, TENSIONER (U49)	2	\$12.86
9	5LP-12216-00-00	SPRING (U49)	2	\$0.88
10	3YF-12233-00-00	PLATE, GUIDE STOPPER 1 (U49)	2	\$2.68
11	90105-07342-00	BOLT, WASHER BASED (U49)	2	\$1.98
12	94590-27126-00	CHAIN (U49)	1	\$63.23
13	34K-12231-00-00	GUIDE, STOPPER 1 (U49)	1	\$35.23
14	34K-12241-00-00	GUIDE, STOPPER 2 (U49)	1	\$61.00
15	97017-06016-00	BOLT (U49)	2	\$0.50
16	92907-06600-00	WASHER, PLATE (U49)	2	\$0.30
17	3TB-12210-00-00	TENSIONER ASSY, CAM CHAIN (U49)	1	\$64.16
18	91317-06025-00	BOLT (U49)	2	\$0.86
19	4DW-12213-00-00	GASKET, TENSIONER CASE (U49)	1	\$3.15



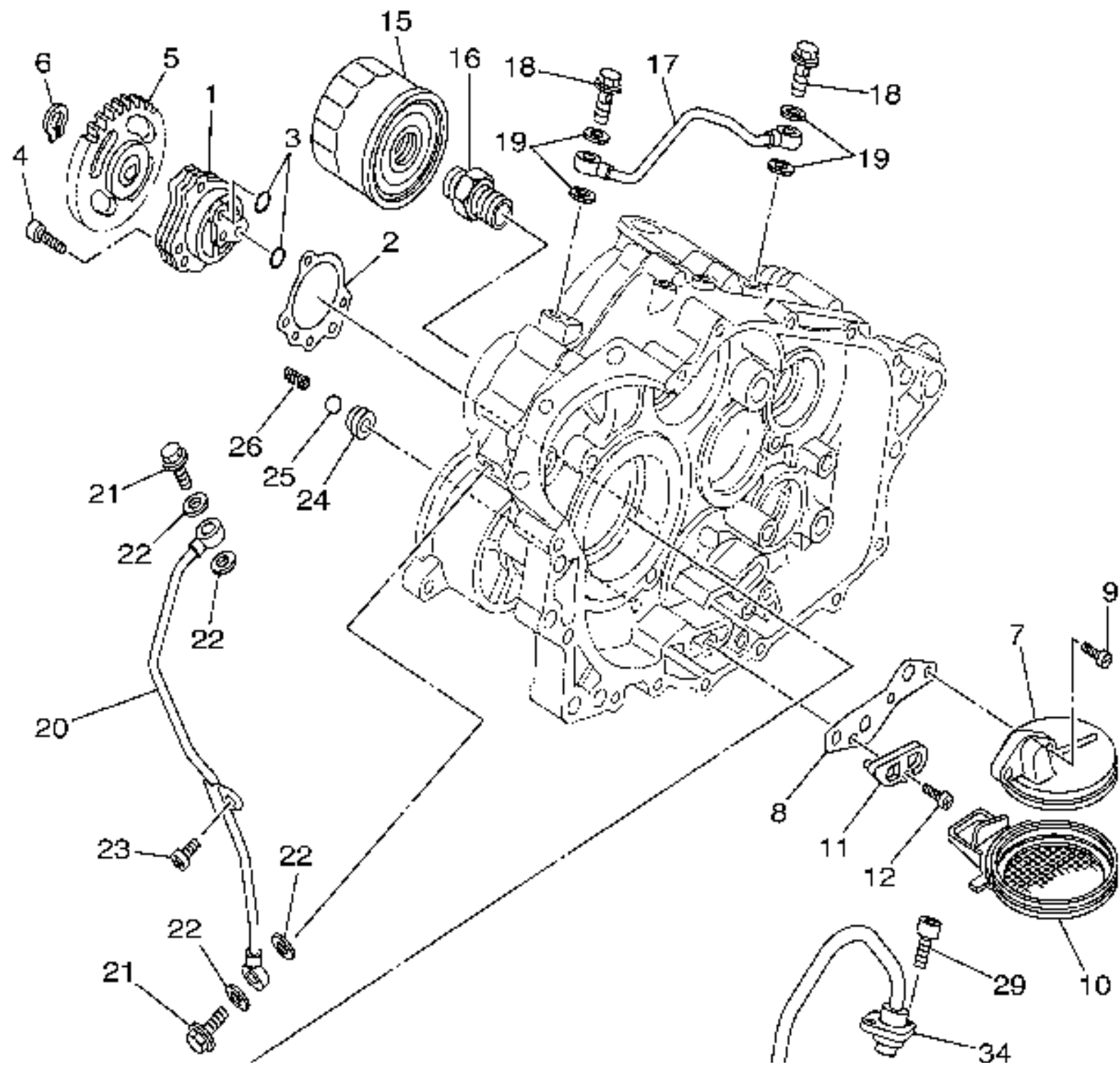
Ref.	Part No.	CRANKSHAFT - PISTON DESCRIPTION	REQ	Price Each
1	5LP-11400-00-00	CRANKSHAFT ASSY (U49)	1	\$526.00
2	5LP-W1141-00-00	...CRANK 1 (U49)	1	\$270.31
3	5LP-11422-00-00	...CRANK 2 (U49)	1	\$143.52
4	3YF-11681-00-00	...PIN, CRANK 1 (U49)	1	\$31.24
5	93310-637D3-00	...BEARING (U49)	1	\$22.53
6	5LP-11651-00-00	...ROD, CONNECTING (U49)	1	\$73.48
7	90280-16053-00	KEY, WOODRUFF (U49)	1	\$3.64
8	90201-141A3-00	WASHER, PLATE (U49)	1	\$2.98
9	90179-14541-00	NUT (U49)	1	\$8.63
10	93306-30702-00	BEARING (B6307) (U49)	1	\$26.26
11	3YF-11631-00-X0	PISTON (STD) (U49)	1	\$65.68
	3YF-11636-00-00	PISTON (0.50MM O/S) (AP) (U49)	1	\$65.68
	3YF-11638-00-00	PISTON (1.00MM O/S) (AP) (U49)	1	\$65.68
12	3YF-11610-00-00	PISTON RING SET (STD)	1	\$20.64
	3YF-11610-20-00	PISTON RING SET (0.50MM O/S) (AP) (U49)	1	\$20.64
	3YF-11610-40-00	PISTON RING SET (1.00MM O/S) (AP) (U49)	1	\$20.64
13	3YF-11633-00-00	PIN, PISTON (U49)	1	\$16.08
14	93450-24028-00	CIRCLIP (U49)	2	\$1.23
15	90201-301F4-00	WASHER, PLATE (U49)	1	\$4.13
16	34K-11565-02-00	WASHER, BEARING COVER (U49)	1	\$6.10
17	90501-20003-00	SPRING, COMPRESSION (U49)	16	\$1.20
18	93605-10090-00	PIN, DOWEL (U49)	16	\$1.26
19	5LP-11536-10-00	GEAR, DRIVE (U49)	1	\$58.64
20	5LP-11531-00-00	GEAR, BALANCE WT (U49)	1	\$58.08
21	5LP-11454-00-00	WEIGHT 1 (U49)	1	\$92.80
22	93311-62574-00	BEARING (U49)	1	\$21.01
23	93306-30560-00	BEARING (U49)	1	\$26.26
24	93102-25064-00	OIL SEAL (U49)	1	\$5.51
25	90282-05065-00	KEY, STRAIGHT (U49)	1	\$1.98
26	90170-18003-00	NUT (U49)	1	\$3.93
27	90215-18001-00	WASHER, LOCK (U49)	1	\$2.21
28	3XV-15381-00-00	PLATE, BEARING COVER (U49)	1	\$4.51
29	98707-06014-00	SCREW, FLAT HEAD (U49)	1	\$0.58
30	3XV-15381-00-00	PLATE, BEARING COVER (U49)	1	\$4.51
31	98707-06014-00	SCREW, FLAT HEAD (U49)	1	\$0.58

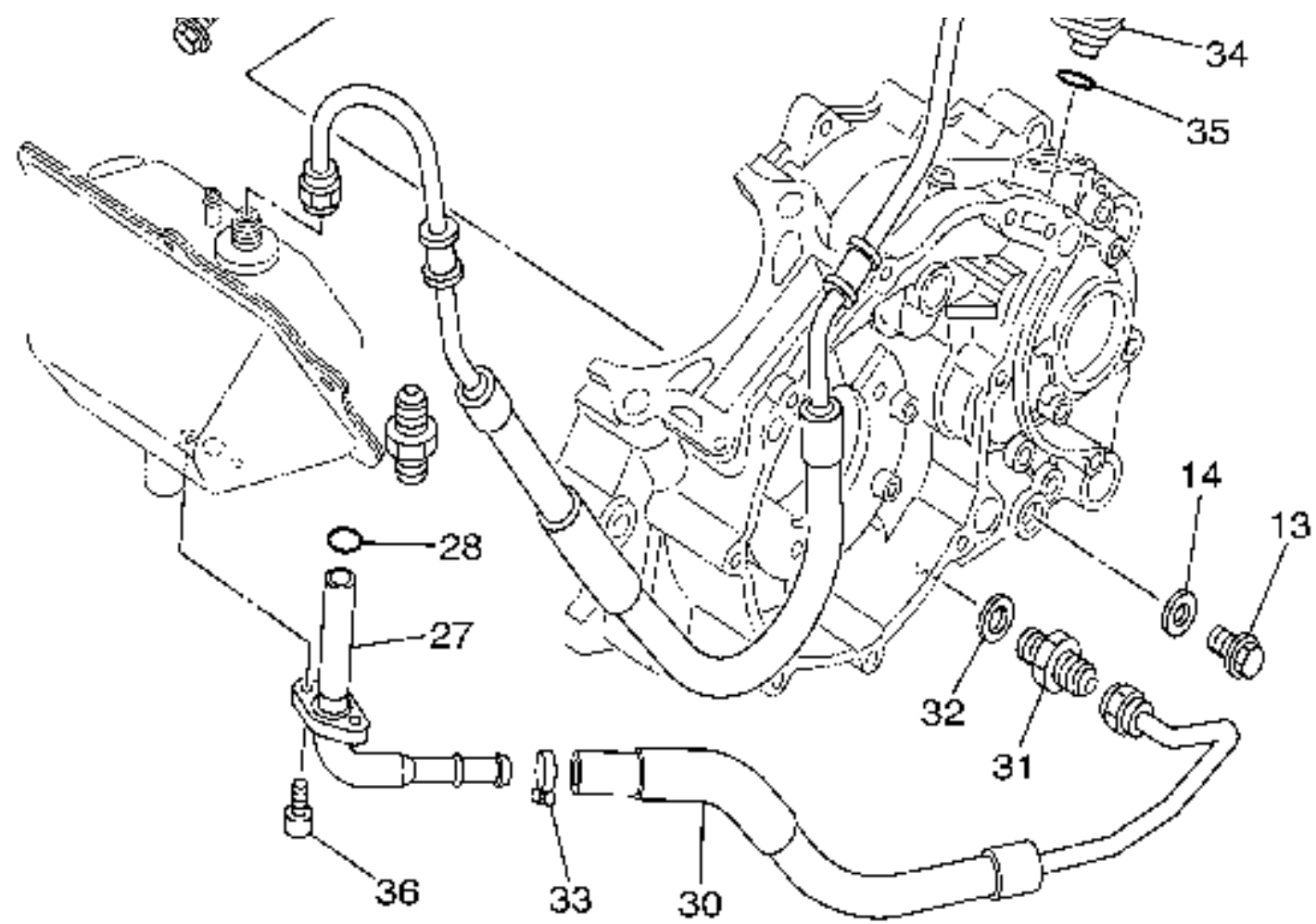


Ref.	Part No.	CYLINDER DESCRIPTION	REQ	WOS's Price Each
1	3YF-11181-00-00	GASKET, CYLINDER HEAD 1 (U49)	1	\$39.00
2	93612-16254-00	PIN, DOWEL (U49)	2	\$1.68
3	90105-09648-00	BOLT, WASHER BASED (U49)	4	\$5.78
4	90201-096J9-00	WASHER, PLATE (U49)	6	\$2.29
5	3YF-11310-00-00	CYLINDER (U49)	1	\$306.37
6	93211-01467-00	O-RING (U49)	1	\$4.90
7	5LP-11395-00-00	HOLDER (U49)	1	\$5.28
8	91317-06014-00	BOLT (U49)	1	\$0.48
9	3YF-11351-00-00	GASKET, CYLINDER (U49)	1	\$10.80
10	95817-10110-00	BOLT, WASHER BASED (U49)	2	\$2.03
11	90105-10712-00	BOLT, WASHER BASED (U49)	2	\$3.93
12	90201-102G9-00	WASHER, PLATE (U49)	4	\$2.40
13	91317-06040-00	BOLT (U49)	2	\$1.72



Ref.	Part No.	CYLINDER HEAD DESCRIPTION	REQ	Price Each
1	5LP-11101-02-00	CYLINDER HEAD ASSY (U49)	1	\$515.53
2	3YF-11133-10-00	...GUIDE, INTAKE VALVE (U49)	3	\$18.56
3	3YF-11134-10-00	...GUIDE, EXHAUST VALVE (U49)	2	\$18.56
4	93440-10085-00	...CIRCLIP (U49)	5	\$1.60
5	90340-18101-00	...PLUG, STRAIGHT SCREW (U49)	2	\$3.47
6	90116-06541-00	...BOLT, STUD (U49)	4	\$1.26
7	90340-14120-00	...PLUG, STRAIGHT SCREW (CIRCUIT SILVER) (U49)	2	\$4.52
8	93210-13657-00	...O-RING (U49)	1	\$1.21
9	99530-10116-00	...PIN, DOWEL (U49)	2	\$0.75
10	5LP-1135A-00-00	BRACKET (U49)	1	\$9.40
11	90105-09647-00	BOLT, WASHER BASED (U49)	2	\$5.61
12	NGK-DPR8E-A9-00	PLUG, SPARK (NGK DPR8EA-9) (U49)	1	\$2.80
13	91317-06130-00	BOLT (U49)	2	\$2.95
14	91317-06115-00	BOLT (U49)	1	\$4.30
15	91317-06025-00	BOLT (U49)	5	\$0.86
16	91317-06040-00	BOLT (U49)	2	\$1.72
17	91317-06055-00	BOLT (U49)	6	\$1.72
18	90109-063E9-00	BOLT (U49)	1	\$2.34
19	91317-06050-00	BOLT (U49)	1	\$1.72
20	92907-06600-00	WASHER, PLATE (U49)	2	\$0.30
21	5LP-1131E-00-00	HOLDER 1 (U49)	1	\$2.52
22	1L9-11186-00-00	COVER, CYLINDER HEAD SIDE 2 (U49)	2	\$6.20
23	93210-32172-00	O-RING (U49)	2	\$3.31
24	3YF-11187-00-00	COVER, CYLINDER HEAD SIDE 3 (U49)	1	\$12.72
25	93210-71360-00	O-RING (U49)	1	\$3.92
26	91317-06018-00	BOLT (U49)	4	\$0.58
27	34K-12215-03-00	CAP, TENSIONER CASE (U49)	1	\$13.64
28	93210-19522-00	O-RING (U49)	1	\$2.61
29	90401-06001-00	BOLT, UNION (U49)	1	\$1.68
30	90430-06166-00	GASKET . (U49)	1	\$0.75
31	91317-06020-00	BOLT, HEXAGON SOCKET HEAD (U49)	1	\$0.86

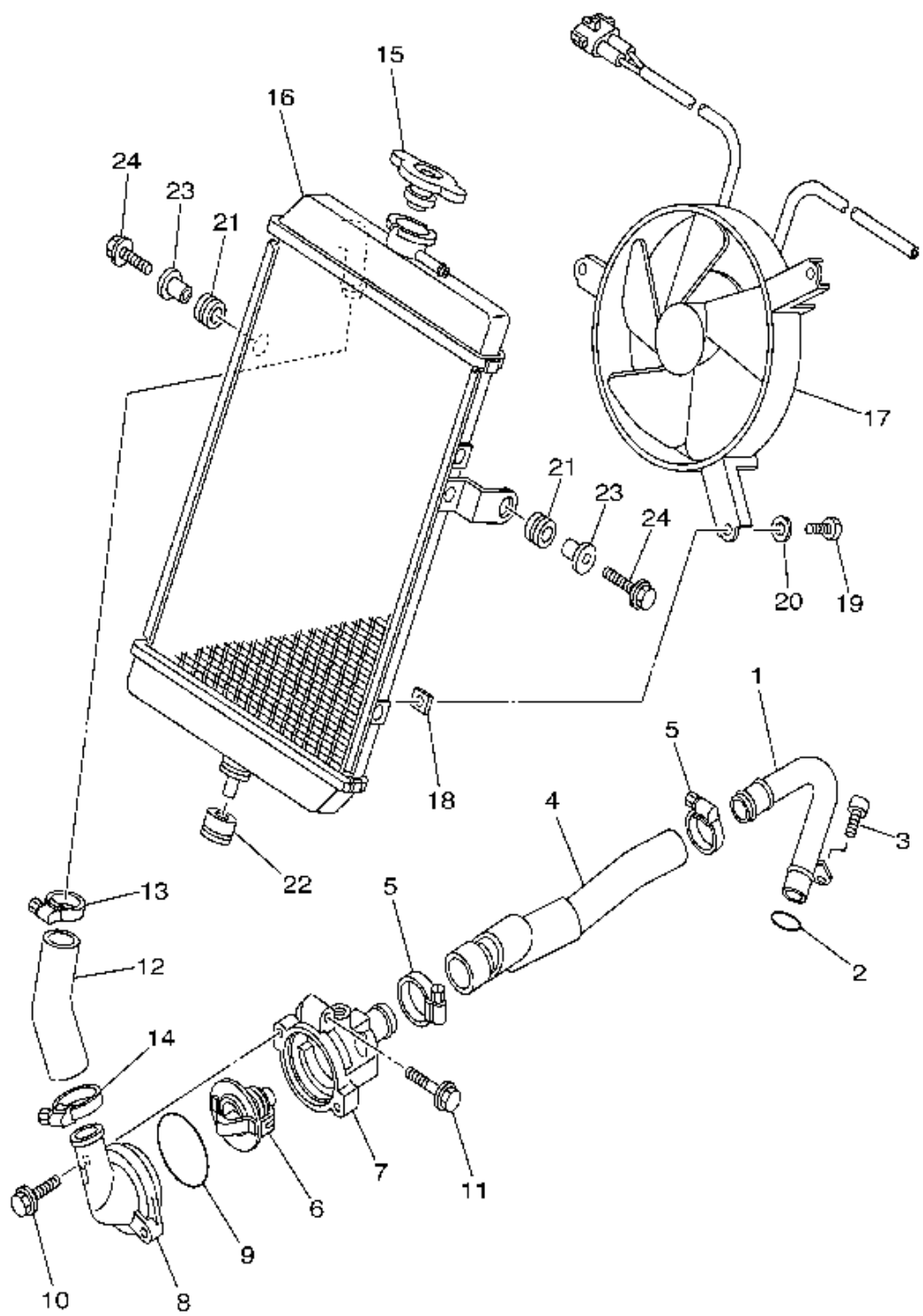




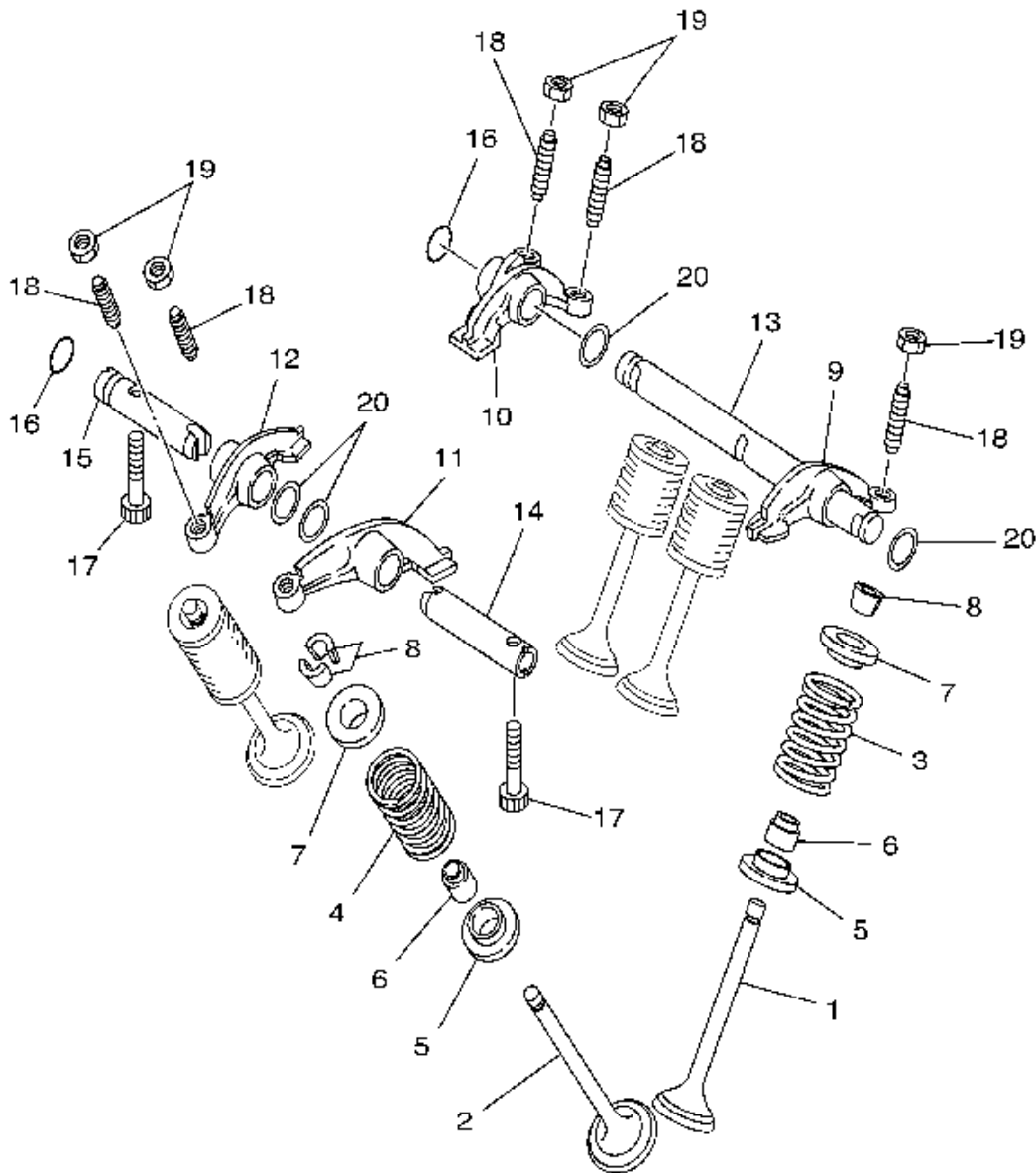
Ref.	Part No.	OIL PUMP DESCRIPTION	REQ	Price Each
1	5LP-13300-00-00	OIL PUMP ASSY (U49)	1	\$105.80
2	5LP-13329-00-00	GASKET, PUMP COVER (U49)	1	\$0.44
3	93210-13361-00	O-RING (U49)	2	\$1.26
4	91317-06035-00	BOLT (U49)	3	\$0.86
5	3AJ-13325-00-00	GEAR, PUMP DRIVEN (U49)	1	\$12.62
6	99009-11400-00	CIRCLIP (U49)	1	\$0.75

7	5LP-13412-00-00	HOUSING, STRAINER (U49)	1	\$12.76
8	5LP-13415-00-00	SEAL, OIL STRAINER (U49)	1	\$0.36
9	98507-06016-00	SCREW, PAN HEAD (U49)	2	\$0.58
10	5LP-13411-00-00	STRAINER, OIL (U49)	1	\$8.40
11	5Y1-15427-01-00	COVER, CAP 2 (U49)	1	\$6.20
12	98507-06016-00	SCREW, PAN HEAD (U49)	1	\$0.58
13	90340-14132-00	PLUG, STRAIGHT SCREW (U49)	1	\$2.36
14	214-11198-01-00	GASKET (U49)	1	\$0.74
15	5DM-13440-00-00	ELEMENT ASSY, OIL CLEANER (U49)	1	\$12.28
16	90401-20145-00	BOLT, UNION (U49)	1	\$21.09
17	5LP-13161-00-00	PIPE, DELIVERY 1 (U49)	1	\$19.84
18	90401-08133-00	BOLT, UNION (U49)	2	\$3.02
19	90430-08204-00	GASKET (U49)	4	\$0.75
20	3YF-13161-00-00	PIPE, DELIVERY 1 (U49)	1	\$29.32
21	90401-10159-00	BOLT, UNION (U49)	2	\$2.36
22	90430-10027-00	GASKET (U49)	4	\$1.26

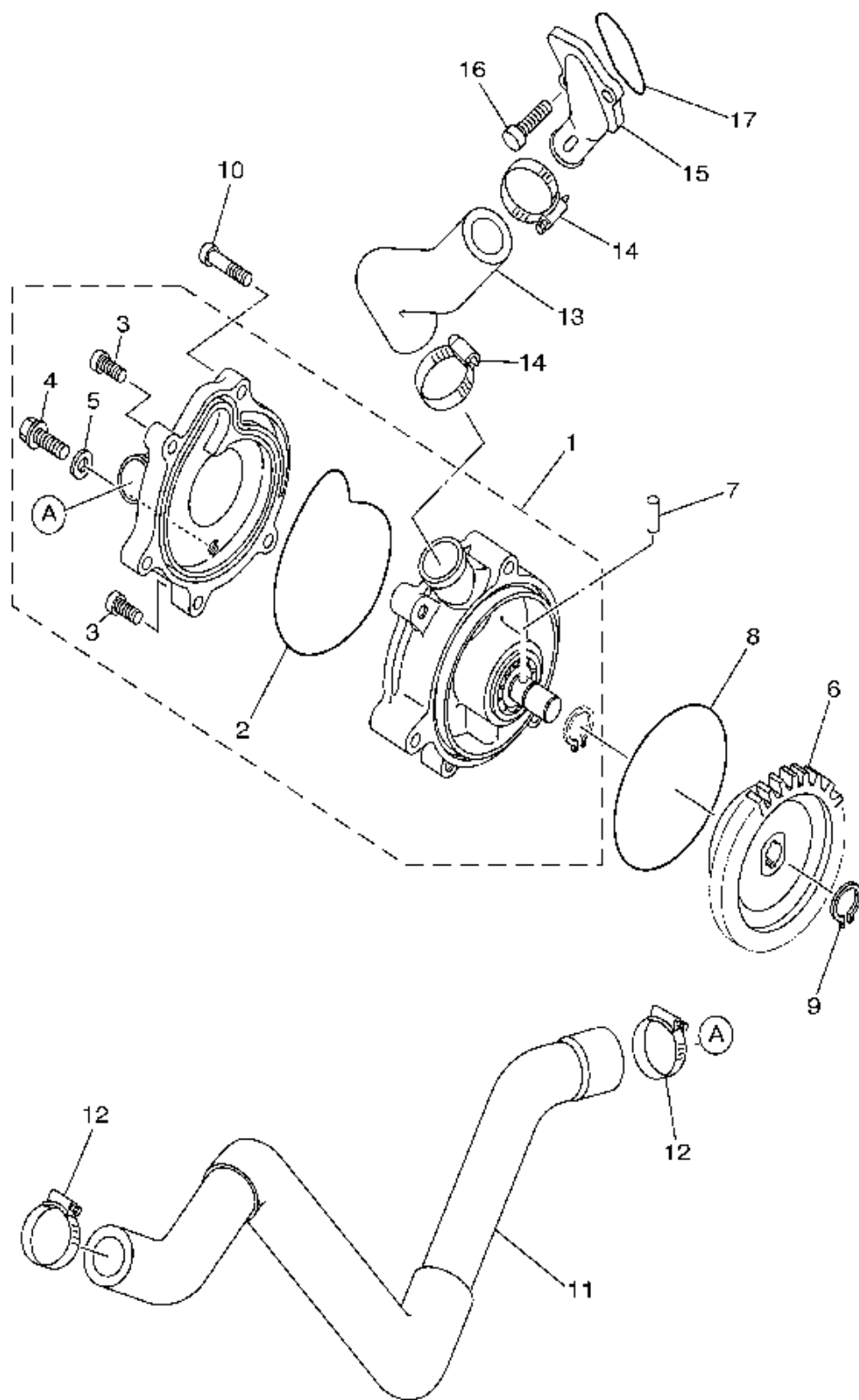
23	91317-06012-00	BOLT, HEXAGON SOCKET HEAD (U49)	1	\$0.58
24	583-13113-00-00	SEAT, CHECK BALL (U49)	1	\$5.20
25	93503-08007-00	BALL (U49)	1	\$0.40
26	90501-043E0-00	SPRING, COMPRESSION (U49)	1	\$1.00
27	5LP-13416-00-00	PIPE, OIL 1 (U49)	1	\$44.32
28	93210-16629-00	O-RING (U49)	1	\$1.26
29	91317-06016-00	BOLT (U49)	2	\$0.46
30	5LP-13464-00-00	HOSE, OIL 1 (U49)	1	\$44.80
31	51Y-13132-50-00	JOINT (U49)	1	\$11.97
32	90430-14043-00	GASKET (U49)	1	\$1.58
33	90450-25037-00	HOSE CLAMP ASSY (U49)	1	\$4.52
34	5LP-13465-00-00	HOSE, OIL 2 (U49)	1	\$78.48
35	93210-15171-00	O-RING (U49)	1	\$2.60
36	91317-06016-00	BOLT (U49)	2	\$0.46



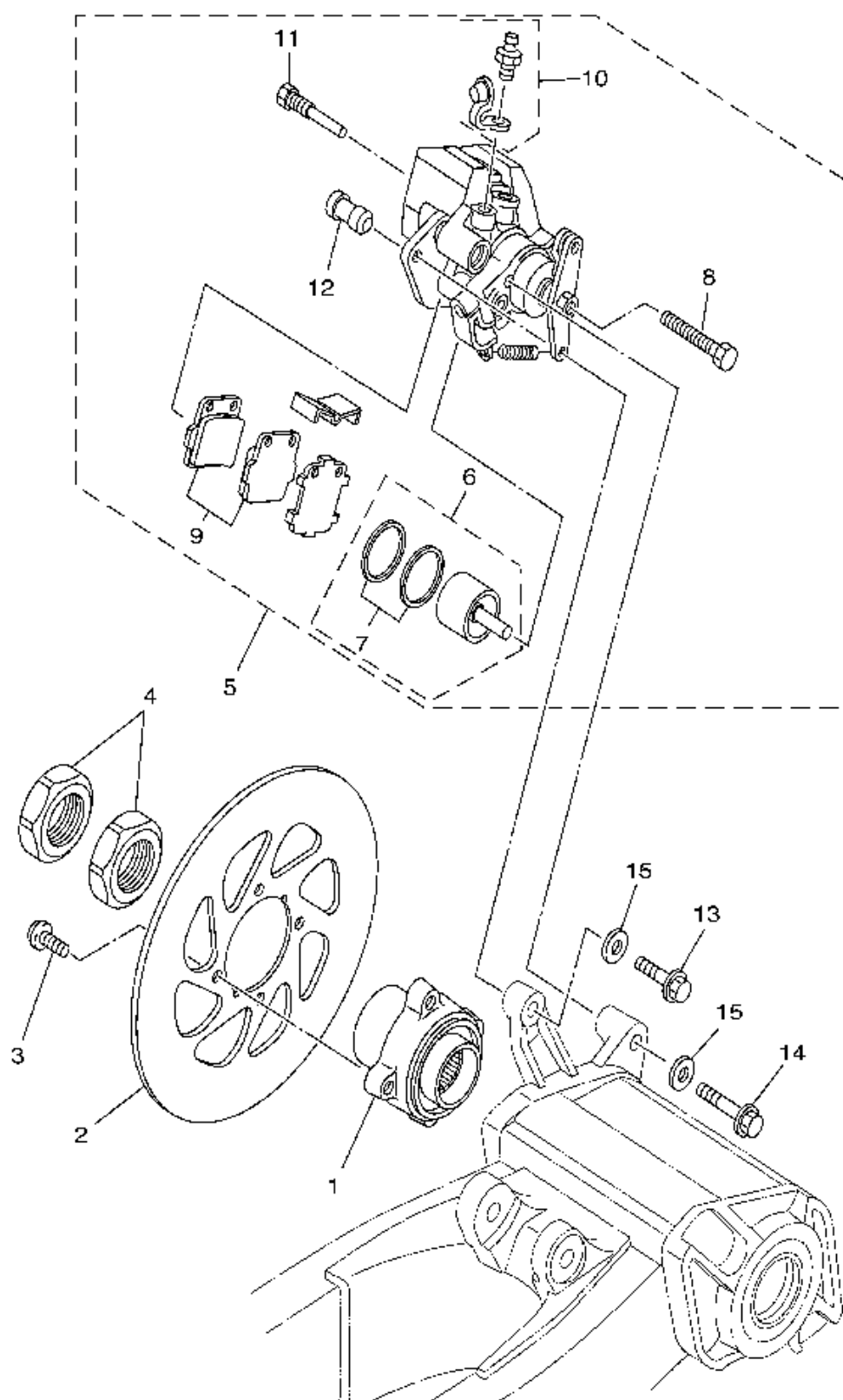
Ref.	Part No.	RADIATOR HOSE DESCRIPTION	REQ	Price Each
1	5LP-12481-00-00	PIPE 1 (U49)	1	\$16.68
2	93210-18417-00	O-RING (U49)	1	\$1.26
3	91317-06012-00	BOLT, HEXAGON SOCKET HEAD (U49)	1	\$0.58
4	5LP-12578-00-00	HOSE 3 (U49)	1	\$15.64
5	90450-32015-00	HOSE CLAMP ASSY (U49)	2	\$4.90
6	5LP-12411-00-00	THERMOSTAT (U49)	1	\$18.12
7	5LP-12417-00-00	HOUSING, THERMOSTAT (U49)	1	\$25.60
8	5LP-12413-00-00	COVER, THERMOSTAT (U49)	1	\$7.96
9	93210-49046-00	O-RING (U49)	1	\$2.80
10	95027-06020-00	BOLT, FLANGE (U49)	2	\$0.25
11	95817-06025-00	BOLT, FLANGE (U49)	1	\$0.86
12	5LP-12579-00-00	HOSE 4 (U49)	1	\$4.56
13	90450-32015-00	HOSE CLAMP ASSY (U49)	1	\$4.90
14	90450-35001-00	HOSE CLAMP ASSY (U49)	1	\$2.40
15	3XP-12462-00-00	CAP, RADIATOR (U49)	1	\$35.75
16	5LP-12461-00-00	RADIATOR ASSY (U49)	1	\$260.65
17	5LP-12405-00-00	BLOWER ASSY (U49)	1	\$350.05
18	1AA-12535-00-00	PLATE (U49)	3	\$7.35
19	97017-06010-00	BOLT (U49)	3	\$0.58
20	92907-06600-00	WASHER, PLATE (U49)	3	\$0.30
21	90480-15470-00	GROMMET (U49)	2	\$1.00
22	90480-18499-00	GROMMET (U49)	1	\$3.44
23	90387-075U2-00	COLLAR (U49)	2	\$3.88
24	95817-06025-00	BOLT, FLANGE (U49)	2	\$0.86



Ref.	Part No.	VALVE DESCRIPTION	REQ	Price Each
1	3YF-12111-00-00	VALVE, INTAKE (U49)	3	\$15.72
2	3YF-12121-00-00	VALVE, EXHAUST (U49)	2	\$28.76
3	5LP-12113-00-00	SPRING, VALVE INNER (U49)	3	\$3.64
4	5LP-12114-00-00	SPRING, VALVE OUTER (U49)	2	\$4.08
5	3YF-12116-00-00	SEAT, VALVE SPRING (U49)	5	\$1.80
6	5H0-12119-00-00	SEAL, VALVE STEM (U49)	5	\$8.20
7	3YF-12117-01-00	RETAINER, VALVE SPRING (U49)	5	\$3.24
8	4G0-12118-00-00	COTTER, VALVE (U49)	10	\$2.80
9	3YF-12151-00-00	ARM, VALVE ROCKER (U49)	1	\$15.88
10	3YF-12161-00-00	ARM, VALVE ROCKER 2 (U49)	1	\$23.44
11	3YF-12162-00-00	ARM, VALVE ROCKER 3 (U49)	1	\$15.88
12	3YF-12163-00-00	ARM, VALVE ROCKER 4 (U49)	1	\$15.88
13	3YF-12146-00-00	SHAFT, ROCKER (U49)	1	\$14.76
14	2NX-12156-00-00	SHAFT, ROCKER 2 (U49)	1	\$10.31
15	3YF-12166-00-00	SHAFT, ROCKER 3 (U49)	1	\$8.32
16	93210-08521-00	O-RING (U49)	2	\$1.60
17	91317-06020-00	BOLT (U49)	2	\$0.86
18	2NX-12159-00-00	SCREW, VALVE ADJUSTING (U49)	5	\$3.79
19	90170-06128-00	NUT (U49)	5	\$1.60
20	90206-12074-00	WASHER, WAVE (U49)	4	\$1.20



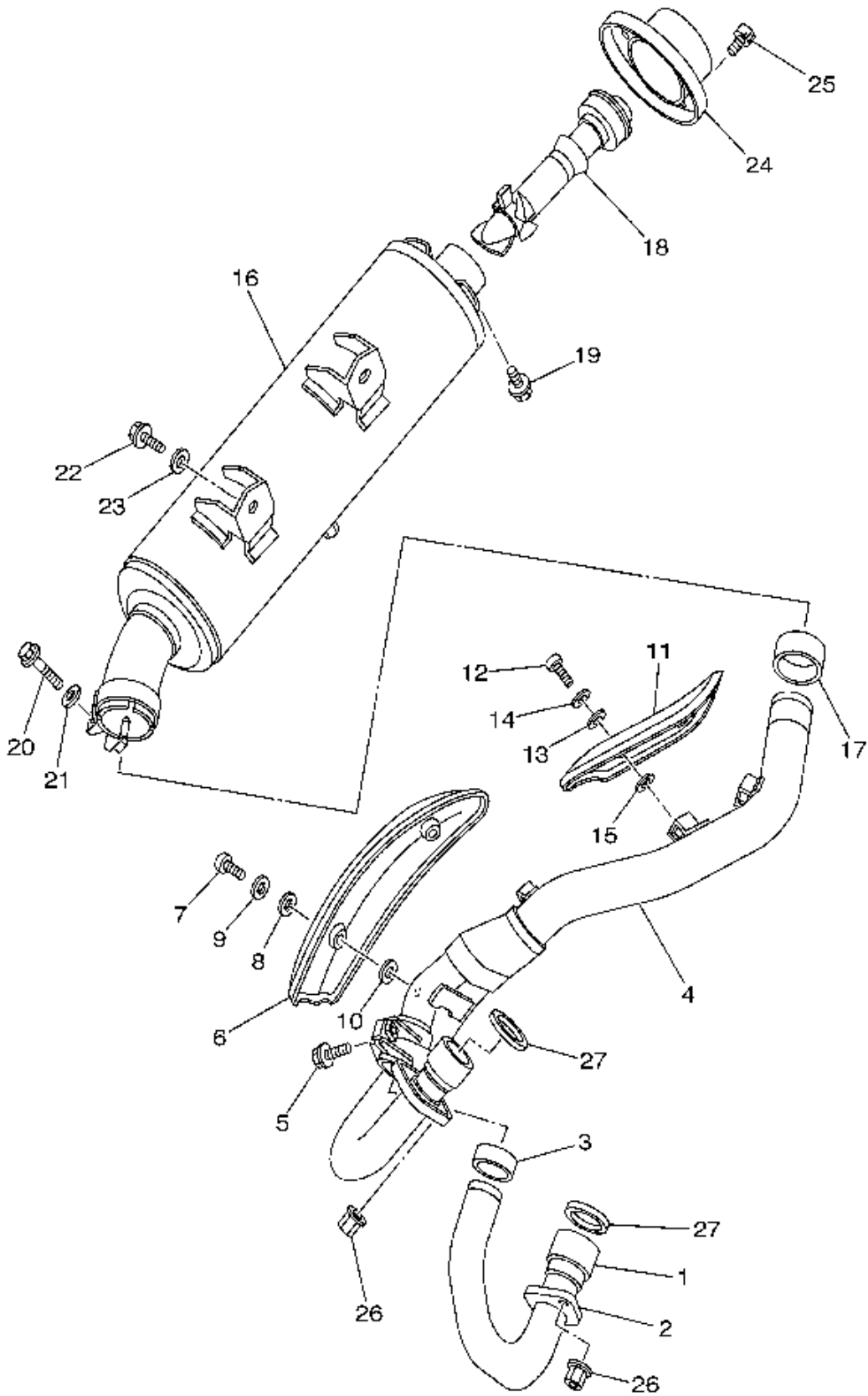
Ref.	Part No.	WATER PUMP DESCRIPTION	REQ	Price Each
1	5LP-12420-00-00	WATER PUMP ASSY (U49)	1	\$32.08
2	1WG-12439-00-00	...O-RING (U49)	1	\$5.26
3	91317-06020-00	...BOLT (U49)	2	\$0.86
4	95027-06012-00	...BOLT, FLANGE (U49)	1	\$0.38
5	90430-06014-00	...GASKET (U49)	1	\$1.60
6	3YF-12459-00-00	GEAR, IMPELLER SHAFT (U49)	1	\$18.56
7	93603-16219-00	PIN, DOWEL (U49)	1	\$0.41
8	93210-77363-00	O-RING (U49)	1	\$3.92
9	99009-12400-00	CIRCLIP (U49)	1	\$0.75
10	91317-06045-00	BOLT (U49)	3	\$1.72
11	5LP-12576-00-00	HOSE 1 (U49)	1	\$24.52
12	90450-32015-00	HOSE CLAMP ASSY (U49)	2	\$4.90
13	5LP-12577-00-00	HOSE 2 (U49)	1	\$6.52
14	90450-32015-00	HOSE CLAMP ASSY (U49)	2	\$4.90
15	3YF-12469-00-00	JOINT 1 (U49)	1	\$19.12
16	91317-06020-00	BOLT (U49)	2	\$0.86
17	93210-33786-00	O-RING (U49)	1	\$2.91



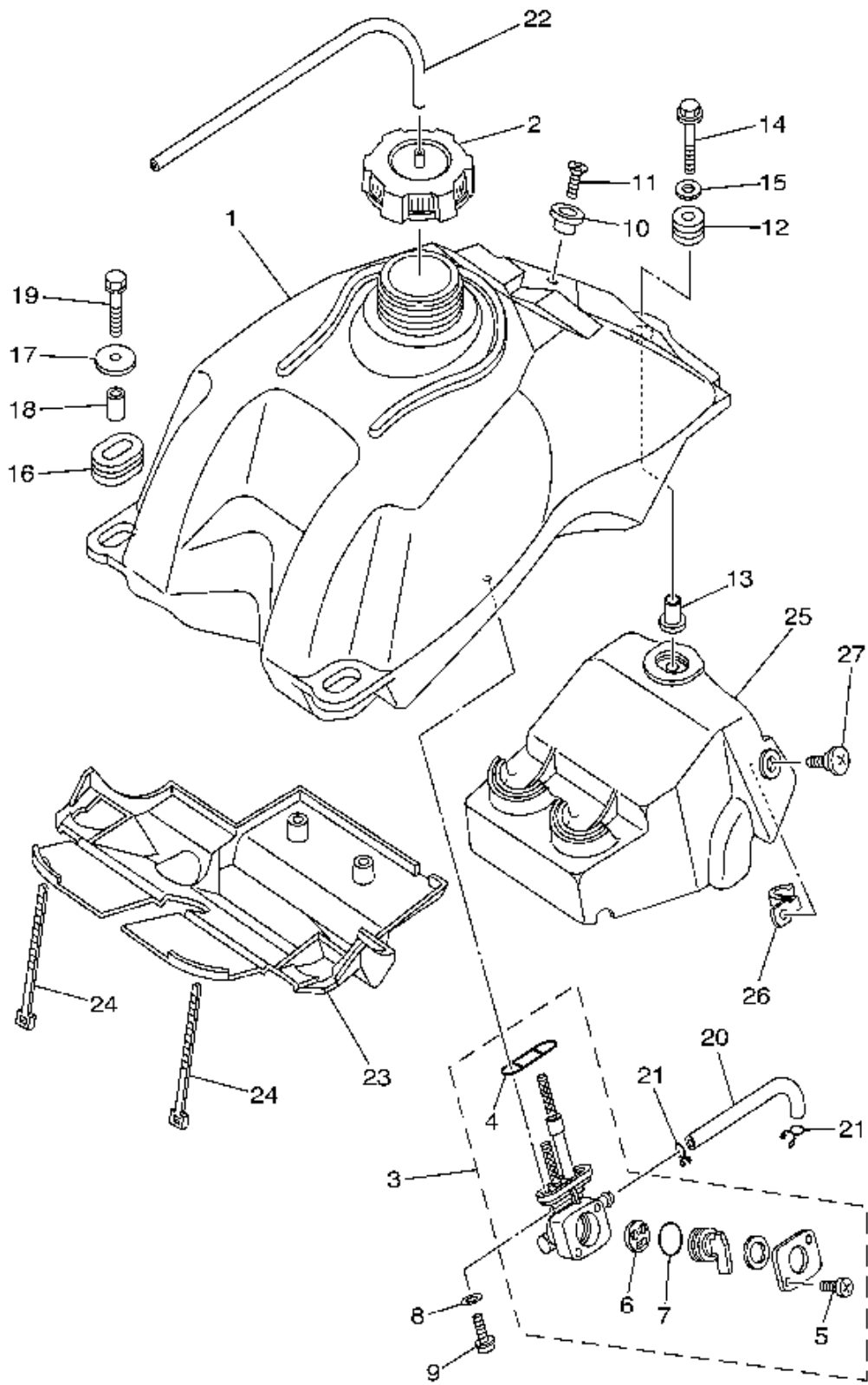
Ref.	Part No.	REAR BRAKE CALIPER DESCRIPTION	REQ	Price Each
1	5LP-25712-00-00	BRACKET, DISC (U49)	1	\$67.04
2	5LP-2582W-00-00	DISC, REAR BRAKE 2 (U49)	1	\$38.71
3	90109-08789-00	BOLT (U49)	4	\$0.98
4	90170-33003-00	NUT (U49)	2	\$7.83
5	5LP-2580W-00-00	CALIPER ASSY, REAR 2 (U49)	1	\$231.11
6	1UY-W0057-50-00	...PISTON ASSY, CALIPER (U49)	1	\$46.82
7	1UY-W0047-50-00CALIPER SEAL KIT (U49)	1	\$7.07
8	1UY-25972-51-00	...ADJUSTBOLT (U49)	1	\$9.26
9	5LP-W0046-50-00	...BRAKE PAD KIT 2 (U49)	1	\$29.95
10	36Y-W0048-00-00	...BLEED SCREW KIT (U49)	1	\$4.98
11	1UY-25924-51-00	...PIN, PAD (U49)	2	\$5.63
12	1UY-25917-51-00	...BOOT, CALIPER (U49)	2	\$1.74
13	95817-08025-00	BOLT, WASHER BASED (U49)	1	\$0.75
14	95817-08035-00	BOLT, WASHER BASED (U49)	1	\$1.06
15	90201-08013-00	WASHER, PLATE (U49)	2	\$1.51

Ref.	Part No.	CARBURETOR DESCRIPTION	REQ	Price Each
1	5LP-14900-00-00	CARBURETOR ASSY (U49)	1	\$496.34
2	5LP-1490K-10-00	...STOP SCREW SET (U49)	1	
3	620-14212-00-00	...SPRING, PILOT ADJUSTING (U49)	1	\$2.20
4	5LP-14996-00-00	...PIPE (U49)	2	\$2.76
5	3LN-14216-00-00	...SCREW (U49)	2	\$2.00
6	1UY-14155-00-00	...GUIDE, CABLE (U49)	1	\$6.72
7	5EA-14348-00-00	...PIPE 1 (U49)	1	\$5.16
8	5LP-14349-00-00	...PIPE (U49)	1	\$12.64
9	5DM-14148-00-00	...PIPE (U49)	1	\$3.56
10	36Y-14147-00-00	...O-RING (U49)	2	\$2.98
11	5LP-14945-00-00	...PLATE (U49)	1	\$13.88
12	3DM-14216-00-00	...SCREW (U49)	2	\$1.14
13	98517-04006-00	...SCREW (U49)	3	\$0.15
14	4WV-14293-00-00	...COVER 1 (U49)	1	\$2.70
15	4WV-14147-10-00	...O-RING (U49)	1	\$10.40
16	5LP-14902-00-00	...CARBURETOR ASSY 2 (U49)	1	\$344.16
17	5LP-14901-00-00	...CARBURETOR ASSY 1 (U49)	1	\$344.16
18	5LP-1490J-00-00NEEDLE SET (U49)	2	\$21.08
19	4KM-14933-00-00SPRING, DIAPHRAGM (U49)	2	\$5.17
20	5GH-14940-10-00DIAPHRAGM ASSY (U49)	2	\$19.16
21	5LP-14112-00-00VALVE, THROTTLE 1 (U49)	2	\$35.56
22	5LP-14918-00-00RING (U49)	2	\$2.00
23	5LP-14105-00-00PILOT SCREW SET (UR FOR 14901) (U49)	1	\$9.16
	5LP-14105-10-00PILOT SCREW SET (UR FOR 14902) (U49)	1	\$9.16
24	5DM-14141-46-00NOZZLE, MAIN (U49)	2	\$19.76
25	5GH-14261-10-00HOLDER (U49)	2	\$12.64
26	3G2-14231-28-00JET, MAIN (140) (UR FOR 14901) (U49)	1	\$6.62
	3G2-14231-29-00JET, MAIN (145) (UR FOR 14902) (U49)	1	\$6.00
27	5GH-14918-00-00RING (U49)	2	\$5.74
28	583-14561-00-00O-RING (U49)	2	\$2.80
29	127-14186-00-00PIN, FLOAT (U49)	2	\$2.40
30	5LP-14107-20-00NEEDLE VALVE SET (U49)	2	\$20.08
31	4KM-14216-00-00SCREW (U49)	4	\$1.49
32	1HX-14231-16-00JET, MAIN (80) (UR FOR 14901) (U49)	1	\$4.56
	1HX-14231-30-00JET, MAIN (150) (UR FOR 14902) (U49)	1	\$5.52
33	12R-14191-00-00PLUG, DRAIN (U49)	2	\$5.30
34	98507-04008-00SCREW, PAN HEAD (U49)	2	\$0.40
35	1FN-14565-00-00SCREW (U49)	2	\$2.40
36	5DM-14985-00-00FLOAT (U49)	2	\$19.88

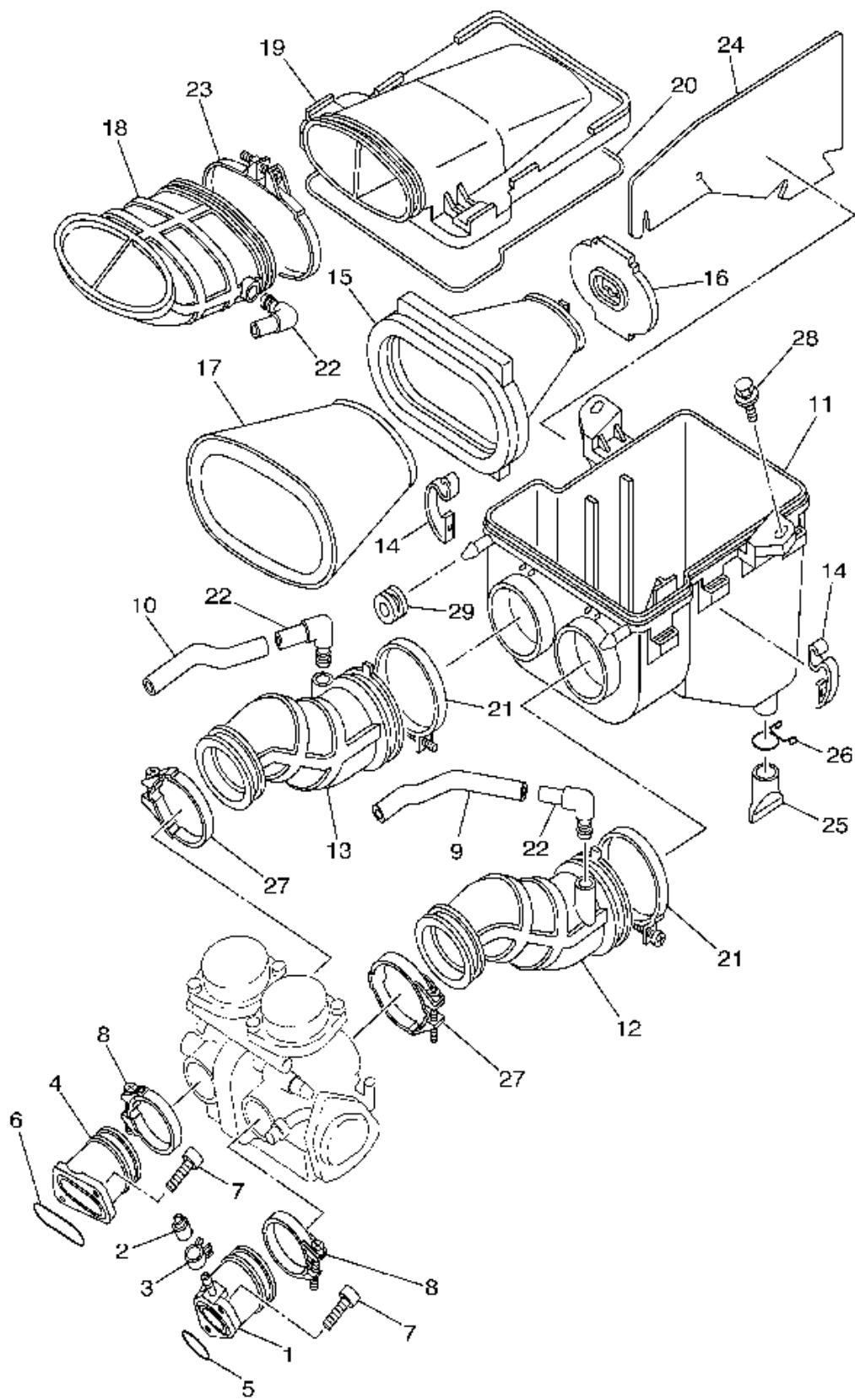
37	4KB-14193-20-00PIPE (U49)	2	\$14.65
38	98580-04010-00SCREW, PAN HEAD (U49)	8	\$0.54
39	90467-06194-00CLIP (U49)	2	\$0.22
40	4KM-14142-22-00JET, PILOT (22.5) (U49)	2	\$4.92
41	812-14147-00-00O-RING (U49)	2	\$4.09
42	5DM-14561-00-00O-RING (U49)	2	\$4.30
43	5GH-1410A-00-00STARTER SET (FOR 14901) (U49)	1	\$21.73
44	98507-04014-00SCREW, PAN HEAD (U49)	2	\$0.26
45	92907-04100-00WASHER, SPRING (U49)	2	\$0.40
46	5LP-14103-00-00THROTTLE SCREW SET (FOR 14901) (U49)	1	\$29.24
47	522-14161-00-00NUT, CABLE ADJUSTING (FOR 14901) (U49)	1	\$3.20
48	5EL-1490H-00-00DIAPHRAGM SET 5 (FOR 14901) (U49)	1	\$15.27
49	3G2-14231-19-00JET, POWER (95) (FOR 14901) (U49)	1	\$9.06
50	24W-14193-00-00	PIPE (U49)	2	\$12.42
51	91A20-07004-00	TUBE, FLEXIBLE VINYL (U49)	2	\$0.13



Ref.	Part No.	EXHAUST DESCRIPTION	REQ	Price Each
1	5LP-14611-00-00	PIPE, EXHAUST 1 (U49)	1	\$48.44
2	3YF-14612-00-00	NUT, RING (U49)	1	\$3.64
3	3YF-14714-00-00	GASKET, MUFFLER (U49)	1	\$9.26
4	5LP-14621-00-00	PIPE, EXHAUST 2 (U49)	1	\$169.52
5	95027-08025-00	BOLT, FLANGE (U49)	1	\$0.70
6	5LP-14628-00-00	PROTECTOR, EXHAUST PIPE (U49)	1	\$18.60
7	92014-06012-00	BOLT (U49)	2	\$0.60
8	4BD-14766-00-00	WASHER, PROTECTOR (U49)	2	\$1.20
9	92990-06200-00	WASHER, PLAIN (U49)	2	\$0.20
10	5LP-14766-00-00	WASHER, PROTECTOR (U49)	2	\$0.72
11	5LP-14728-00-00	PROTECTOR, MUFFLER 2 (U49)	1	\$14.40
12	92017-06010-00	BOLT, BUTTON HEAD (U49)	2	\$0.58
13	4BD-14766-00-00	WASHER, PROTECTOR (U49)	2	\$1.20
14	92907-06200-00	WASHER (U49)	2	\$0.40
15	4BD-14766-00-00	WASHER, PROTECTOR (U49)	2	\$1.20
16	5LP-14711-00-00	MUFFLER 1 (U49)	1	\$277.09
17	5LP-14714-00-00	GASKET, MUFFLER (U49)	1	\$9.08
18	5LP-14752-00-00	PIPE, OUTLET (U49)	1	\$49.36
19	95027-06008-00	BOLT, FLANGE (U49)	1	\$0.30
20	95817-08040-00	BOLT, FLANGE (U49)	1	\$1.06
21	90201-086J0-00	WASHER, PLATE (U49)	1	\$0.75
22	95817-08020-00	BOLT, FLANGE (U49)	2	\$0.84
23	90201-08326-00	WASHER, PLATE (U49)	2	\$0.84
24	5LP-14787-00-00	CAP, SILENCER (U49)	1	\$72.12
25	90110-06134-00	BOLT, HEXAGON SOCKET HEAD (U49)	3	\$2.16
26	90179-06668-00	NUT (U49)	4	\$0.86
27	3YF-14613-01-00	GASKET, EXHAUST PIPE (U49)	2	\$3.15

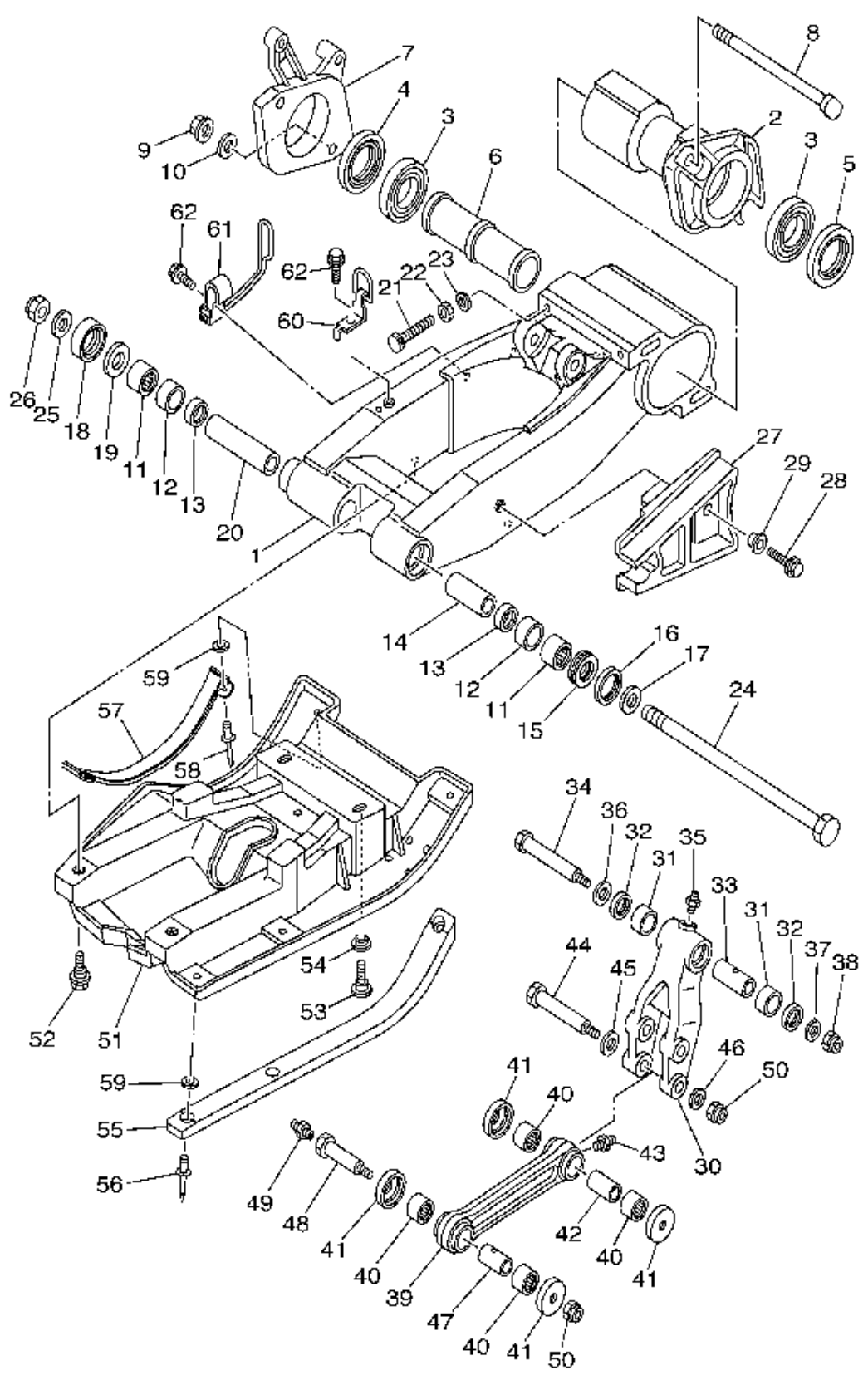


Ref.	Part No.	FUEL TANK DESCRIPTION	REQ	Price Each
1	5LP-24110-00-00	FUEL TANK COMP (U49)	1	\$135.88
2	5MV-24610-00-00	CAP ASSY (U49)	1	\$16.62
3	5LP-24500-00-00	FUEL COCK ASSY 1 (U49)	1	\$23.04
4	4X8-24512-00-00	...O-RING (U49)	1	\$2.20
5	98517-03008-00	...SCREW, PAN HEAD (U49)	2	\$0.58
6	3AJ-24523-00-00	...VALVE PACKING (U49)	1	\$3.79
7	3AJ-24534-00-00	...SEAL, COCK (U49)	1	\$2.20
8	90202-05187-00	WASHER, PLATE (U49)	2	\$0.40
9	90149-06011-00	SCREW (U49)	2	\$1.40
10	4EW-2412F-00-00	BRACKET, SEAT (U49)	1	\$3.56
11	98707-06025-00	SCREW, FLAT HEAD (U49)	1	\$0.40
12	90480-18290-00	GROMMET (U49)	1	\$3.64
13	90387-066J1-00	COLLAR (U49)	1	\$3.88
14	95817-06030-00	BOLT, FLANGE (U49)	1	\$0.58
15	90201-063J2-00	WASHER, PLATE (U49)	1	\$1.06
16	90480-01400-00	GROMMET (U49)	2	\$3.64
17	90201-060L5-00	WASHER, PLATE (U49)	2	\$1.81
18	90387-07598-00	COLLAR (U49)	2	\$2.40
19	90119-06214-00	BOLT, WITH WASHER (U49)	2	\$1.48
20	90445-116K9-00	HOSE (L155) (U49)	1	\$4.72
21	90467-11106-00	CLIP (U49)	2	\$0.75
22	90445-083J5-00	HOSE (L340) (U49)	1	\$2.32
23	5LP-2414H-00-00	DAMPER, PLATE 1 (U49)	1	\$20.20
24	437-83936-01-00	BAND, SWITCH CORD (U49)	2	\$0.50
25	5LP-2414J-00-00	DAMPER, PLATE 2 (U49)	1	\$12.36
26	5LP-24135-00-00	CLAMP 1 (U49)	2t	\$5.32
27	90154-06033-00	SCREW, BINDING (U49)	2	\$2.36



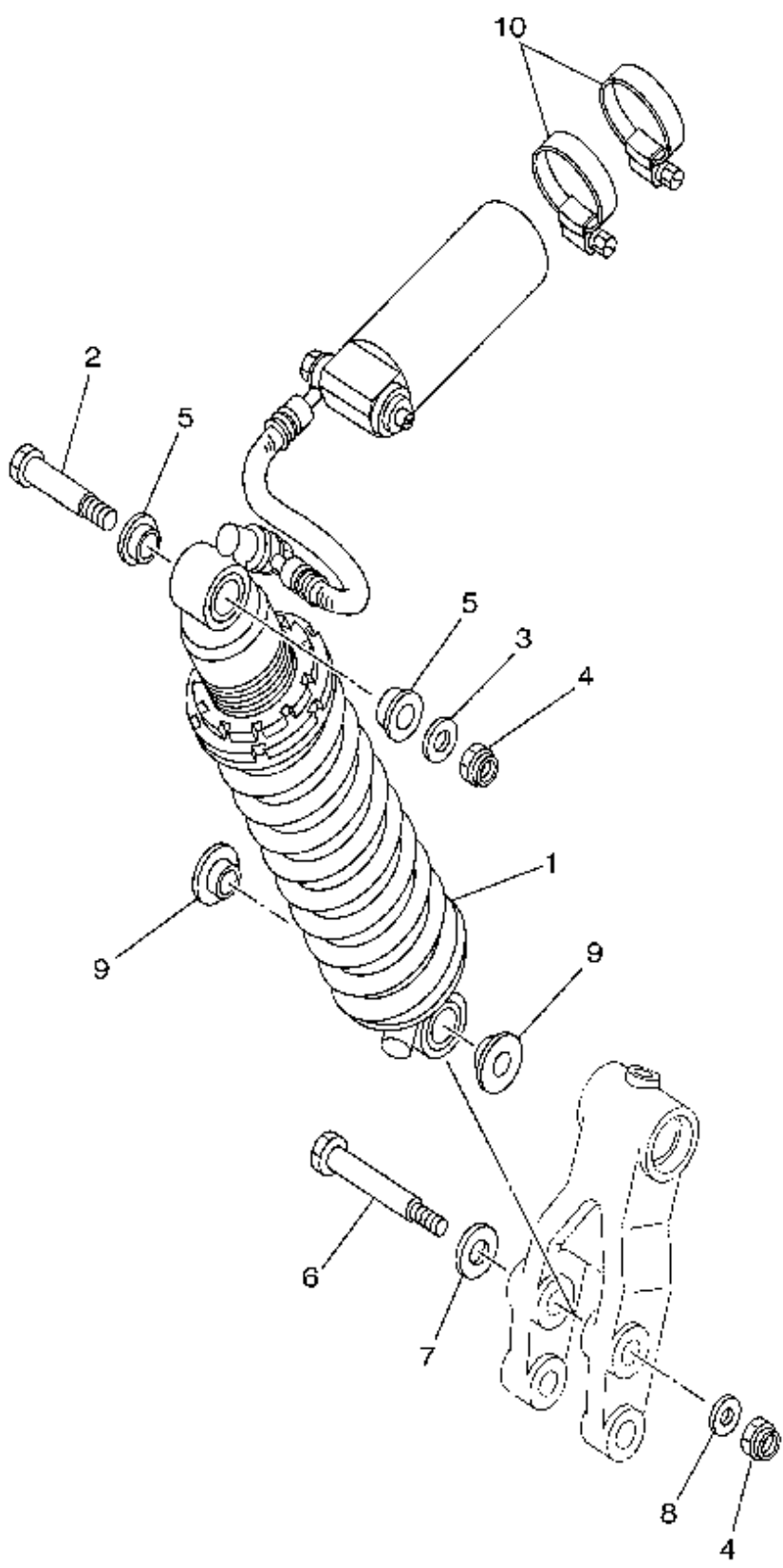
Ref.	Part No.	INTAKE DESCRIPTION	REQ	Price Each
1	5LP-13586-01-00	JOINT, CARBURETOR 1 (U49)	1	\$26.96
2	16G-13569-00-00	PLUG, BLIND (U49)	1	\$2.40
3	90467-10039-00	CLIP (U49)	1	\$0.75
4	5LP-13596-01-00	JOINT, CARBURETOR 2 (U49)	1	\$27.00
5	93210-30611-00	O-RING (U49)	1	\$3.92
6	93210-44545-00	O-RING (U49)	1	\$4.52
7	91317-06020-00	BOLT (U49)	4	\$0.86
8	90450-47001-00	HOSE CLAMP ASSY (U49)	2	\$2.52
9	5LP-14197-00-00	PIPE (U49)	1	\$3.96
10	5LP-14148-00-00	PIPE (U49)	1	\$2.92
11	5LP-14411-00-00	CASE, AIR CLEANER 1 (U49)	1	\$16.84
12	5LP-14453-00-00	JOINT, AIR CLEANER 1 (U49)	1	\$24.72
13	5LP-14454-00-00	JOINT (U49)	1	\$16.88
14	JN7-14436-01-00	HOOK (U49)	6	\$1.43
15	5LP-14458-00-00	GUIDE (U49)	1	\$31.64
16	2GU-14468-00-00	PLATE, ELEMENT FITTING (U49)	1	\$6.31
17	5LP-14451-00-00	ELEMENT, AIR CLEANER (U49)	1	\$16.62
18	5LP-14437-00-00	DUCT (U49)	1	\$20.08
19	5LP-14412-00-00	CAP, CLEANER CASE 1 (U49)	1	\$11.36
20	1VJ-14462-00-00	SEAL (U49)	1	\$6.31
21	90460-68230-00	CLAMP, HOSE (U49)	2	\$3.88
22	31A-14419-00-00	PIPE (U49)	3	\$2.40
23	5LP-14455-00-00	BAND (U49)	1	\$5.08
24	5LP-1442F-00-00	PROTECTOR (U49)	1	\$9.64
25	59V-14457-00-00	SEAL (U49)	1	\$3.60
26	90467-22080-00	CLIP (U49)	1	\$2.20
27	90450-57034-00	HOSE CLAMP ASSY (U49)	2	\$5.33
28	97024-06020-00	BOLT, WITH WASHER (U49)	2	\$0.42
29	90480-18290-00	GROMMET (U49)	2	\$3.64

Ref.	Part No.	STEERING HANDLE CABLE DESCRIPTION	REQ	Price Each
1	5LP-26111-00-00	HANDLEBAR (U49)	1	\$22.86
2	5LP-26241-00-00	GRIP (LEFT) (U49)	2	\$5.32
3	5LP-26124-00-00	PROTECTOR, HANDLEBAR (UR DEEP PURPLISH BLUE) (U49)	1	\$6.84
	5LP-26124-10-00	PROTECTOR, HANDLEBAR (UR RADICAL WHITE) (U49)	1	\$6.84
4	5GT-2836B-00-00	TUNING FORK MARK (U49)	1	\$5.38
5	4KB-26250-00-00	THROTTLE LEVER ASSY (U49)	1	\$66.62
6	4KB-2628F-00-00	...CAP, GEAR (U49)	1	\$10.72
7	1NV-2625G-01-00	...LEVER, THROTTLE (U49)	1	\$35.56
8	90149-04278-00	...SCREW (U49)	3	\$0.19
9	98507-05020-00	...SCREW, PAN HEAD (U49)	1	\$0.40
10	95617-05100-00	...NUT, U (U49)	1	\$1.98
11	95317-05700-00	...NUT (U49)	1	\$0.26
12	93104-09025-00	...OIL SEAL (U49)	1	\$3.02
13	1NV-26304-00-00	...SPRING (U49)	1	\$4.83
14	4KB-2628G-00-00	...GASKET (U49)	1	\$3.36
15	1NV-26129-00-00	...WASHER (U49)	1	\$2.40
16	53L-83909-00-00	...WASHER (U49)	1	\$2.40
17	437-83936-01-00	BAND, SWITCH CORD (U49)	2	\$0.50
18	4V4-82913-00-00	HOLDER, LEVER LOWER 1 (U49)	1	\$8.40
19	98507-05020-00	SCREW, PAN HEAD (U49)	2	\$0.40
20	92907-05100-00	WASHER, SPRING (U49)	2	\$0.40
21	5LP-26311-00-00	CABLE, THROTTLE 1 (U49)	1	\$11.04
22	5LP-26335-00-00	CABLE, CLUTCH (U49)	1	\$26.00
23	1UY-2637A-01-00	COVER, HANDLE LEVER 2 (U49)	1	\$15.78
24	5LP-26341-00-00	CABLE, BRAKE (U49)	1	\$25.80
25	5LP-26150-00-00	REVLEVER ASSY(U49)	1	\$56.52
26	5LP-2637E-00-00	...CABLE, CONTROL 1 (U49)	1	\$21.60
27	98507-05018-00	SCREW, PAN HEAD (U49)	2	\$0.60
28	92907-05600-00	WASHER, PLATE (U49)	2	\$0.40
29	5LP-26331-00-00	CABLE, STARTER 1 (U49)	1	\$20.88



Ref.	Part No.	REAR ARM DESCRIPTION	REQ	Price Each
1	5LP-22110-00-00	REAR ARM COMP (U49)	1	\$518.49
2	5LP-25311-00-00	HUB, REAR (U49)	1	\$178.52
3	93306-00705-00	BEARING (U49)	2	\$20.50
4	93106-42026-00	OIL SEAL (U49)	1	\$5.33
5	93102-43341-00	OIL SEAL (U49)	1	\$5.33
6	90560-35263-00	SPACER (U49)	1	\$9.42
7	5LP-25721-00-00	BRACKET, CALIPER (U49)	1	\$99.12
8	90109-12002-00	BOLT (U49)	2	\$8.28
9	90179-12657-00	NUT (U49)	2	\$1.98
10	90201-122H1-00	WASHER, PLATE (U49)	2	\$2.80
11	93317-32231-00	BEARING (U49)	2	\$10.50
12	90380-22111-00	BUSH, SOLID (U49)	2	\$5.51
13	93106-22019-00	OIL SEAL (DC 22-28-8) (U49)	2	\$3.92
14	5LP-22123-00-00	BUSH 1 (U49)	1	\$8.04
15	93342-22217-00	BEARING (U49)	1	\$16.91
16	93109-28043-00	OIL SEAL (U49)	1	\$3.40
17	90387-16006-00	COLLAR (U49)	1	\$7.54
18	4X7-22129-00-00	COVER, THRUST 2 (U49)	1	\$9.67
19	3YF-22149-00-00	WASHER (U49)	1	\$4.20
20	5LP-22184-00-00	BUSH (U49)	1	\$12.80
21	90103-08026-00	BOLT, HEAD WITH HOLE (U49)	2	\$2.82
22	95337-08600-00	NUT (U49)	2	\$0.98
23	90201-083P5-00	WASHER, PLATE (U49)	2	\$1.90
24	5LP-22141-00-00	SHAFT, PIVOT (U49)	1	\$21.08
25	90201-160F6-00	WASHER, PLATE (U49)	1	\$3.88
26	95617-16100-00	NUT, SELF-LOCKING (U49)	1	\$6.87
27	5LP-22151-00-00	SEAL, GUARD (U49)	1	\$57.32
28	95817-06020-00	BOLT, FLANGE (U49)	1	\$0.58
29	90387-06500-00	COLLAR (U49)	1	\$2.60
30	5LP-2217A-00-00	ARM, RELAY (U49)	1	\$118.40
31	90383-20033-00	BUSH, FORMED (U49)	2	\$3.88
32	93109-20076-00	OIL SEAL (U49)	2	\$2.52
33	90387-125N9-00	COLLAR (U49)	1	\$5.93
34	90101-10656-00	BOLT (U49)	1	\$3.55
35	93700-06M03-00	NIPPLE, GREASE (U49)	1	\$2.98
36	90201-122H1-00	WASHER, PLATE (U49)	1	\$2.80
37	90201-100U1-00	WASHER, PLATE (U49)	1	\$1.14
38	90185-10120-00	NUT, SELF-LOCKING (U49)	1	\$3.92

39	5LP-2217F-00-00	ROD, CONNECTING 1 (U49)	1	\$91.16
40	90383-20032-00	BUSH, FORMED (U49)	4	\$3.88
41	55K-22129-00-00	COVER, THRUST 2 (U49)	4	\$6.51
42	90387-125K2-00	COLLAR (U49)	1	\$10.01
43	93700-06M03-00	NIPPLE, GREASE (U49)	1	\$2.98
44	90109-102A6-00	BOLT (U49)	1	\$3.92
45	90201-120E6-00	WASHER, PLATE (U49)	1	\$2.98
46	90201-10M05-00	WASHER, PLATE (U49)	1	\$2.16
47	90387-12010-00	COLLAR (U49)	1	\$7.62
48	90109-10759-00	BOLT (U49)	1	\$5.58
49	93700-06M03-00	NIPPLE, GREASE (U49)	1	\$2.98
50	90185-10120-00	NUT, SELF-LOCKING (U49)	2	\$3.92
51	5LP-2219X-00-00	COVER (U49)	1	\$47.32
52	90109-063F1-00	BOLT (U49)	2	\$0.75
53	97017-08020-00	BOLT (U49)	2	\$0.75
54	90387-083J6-00	COLLAR (U49)	2	\$4.52
55	5LP-22153-00-00	GUARD, CHAIN (U49)	1	\$47.20
56	90267-47187-00	RIVET, BLIND (U49)	3	\$0.61
57	5LP-25345-00-00	INSERT, PLATE (U49)	1	\$17.04
58	90267-47200-00	RIVET, BLIND (U49)	2	\$0.67
59	90201-04325-00	WASHER (28-2) (U49)	5	\$0.60
60	5EB-25887-00-00	HOLDER, BRAKE HOSE (U49)	1	\$9.37
61	5LP-25886-00-00	HOLDER, BRAKE HOSE (U49)	1	\$10.88
62	95027-06020-00	BOLT, FLANGE (U49)	2	\$0.25



Ref.	Part No.	REAR SUSPENSION DESCRIPTION	REQ	Price Each
1	5LP-22210-00-00	SHOCK ABSORBER ASSY, REAR (U49)	1	\$531.00
2	90109-10704-00	BOLT (U49)	1	\$5.93
3	90201-100F7-00	WASHER, PLATE (U49)	1	\$2.40
4	90185-10120-00	NUT, SELF-LOCKING (U49)	2	\$3.92
5	90387-127G8-00	COLLAR (U49)	2	\$4.90
6	90109-102A6-00	BOLT (U49)	1	\$3.92
7	90201-120E6-00	WASHER, PLATE (U49)	1	\$2.98
8	90201-10M05-00	WASHER, PLATE (U49)	1	\$2.16
9	90387-126H8-00	COLLAR (U49)	2	\$6.30
10	90450-32008-00	HOSE CLAMP ASSY (U49)	2	\$6.30