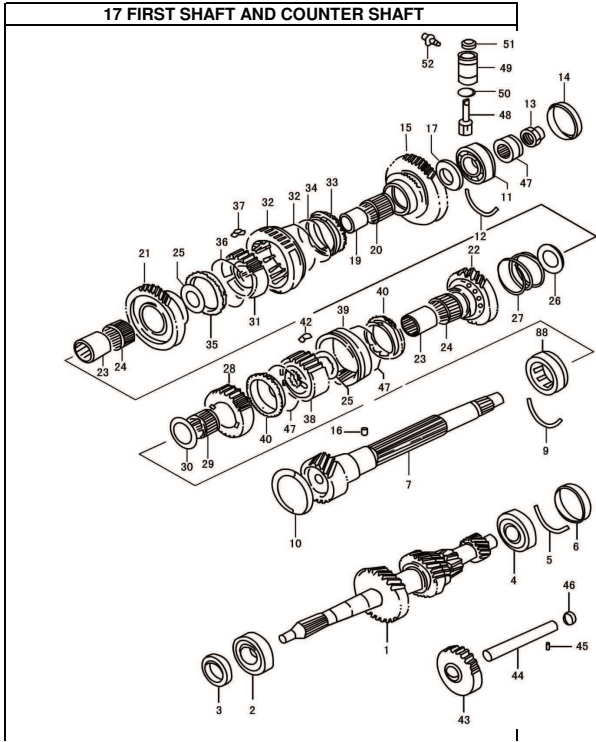


650 Commando

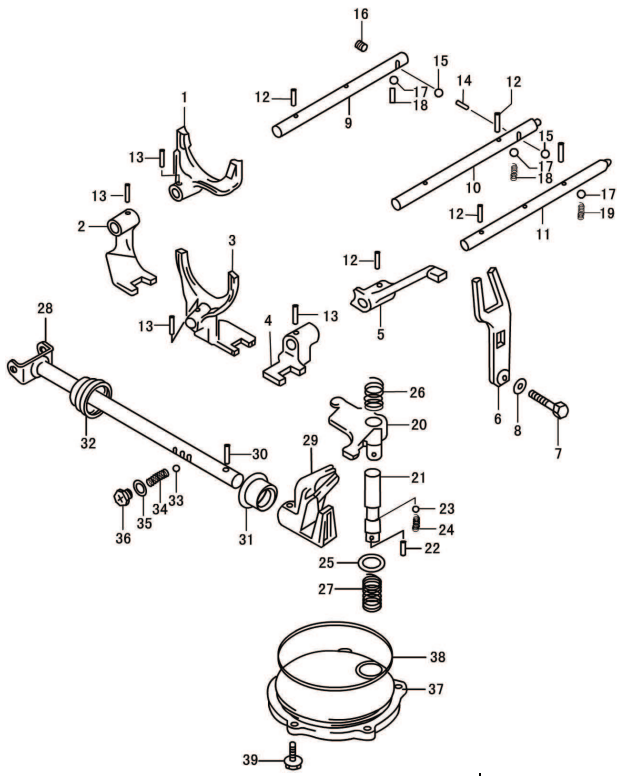


650 Commando

No.	Code name	Description	Qty
1	1701131	The first shaft assembly	1
2	GB/T276-94	Endocentric ball bearing 6204-2RS/P53	1
3	1701310	The first shaft seal ring assembly	1
4	GB/T276-94	Endocentric ball bearing 6204-2RS/P53	1
5	1701011	Thrust ring of the first shaft bearing	1
6	1701120	The first shaft seal cap assembly	1
7	1701201	Countershaft	1
8	1701250	Cylindrical roller bearing with Locking notch and without inner circle	1
9	1701013	Thrust ring of countershaft bearing (right)	1
10	1701060	Sealing cap assembly of countershaft (right)	1
11	GB/T276-94	Endocentric ball bearing 6204-2RS/P53	1
12	1701012	Thrust ring of countershaft bearing (left)	1
13	1701219	Tight nut of countershaft	1
14	1701050	Sealing cap assembly of Countershaft (left)	1
15	1701211	The first gear of countershaft	1
16	GB309-84	Needle P2×7.8	1
17	1701203	The first gear gasket of countershaft	1
18	GB308-84	Steel ball4.7625G60b	1
19	1701204	First gear bushing ring of countershaft	1
20	GB5846-86	Needle bearing K253024	1
21	1701212	The second gear of countershaft	1
22	1701213	The third gear of countershaft	1
23	1701205	The second and the third gears bushing ring	2
24	GB5846-86	Needle bearing K303520	2
25	1701206	The second and the third gears gasket	2
26	1701208	The third gear spacer	1
27	1701207	The second and the third gears pressure spring	1
28	1701214	Fourth gear of countershaft	1
29	GB5846-86	Needle bearing K253020	1
30	1701209	The fourth gear gasket	1
31	1701232	Low synchronizer shell	1
32	1701231	Low synchronizer sleeve	1
33	1701215	Low synchronizer ring (left)	1
34	1701217	Low synchronizer ring spring	1
35	1701216	Low synchronizer ring (right)	1
36	1701233	Low synchronizer spring	2
37	1701234	Synchronizer guide block	3
38	1701242	High synchronizer shell	1
39	1701241	High synchronizer sleeve	1
40	1701218	High synchronizer ring	2
41	1701243	High synchronizer spring	2
42	1701234	Synchronizer guide block	3
43	1701080	Racing gear of reverse gear	1
44	1701015	Reverse gear shaft	1
45	GB119-86	Pin D5×13	1
46	1701070	Sealing cap assembly of reverse gear shaft	1
47	1701202	Speed gage worm	1
48	1701029	Speed gage worm wheel	1
49	1701401	Speed gage worm wheel bushing ring	1
50	GB3452.1-82	"O" type seal ring	1
51	1701410	Seal ring assembly of Speed gage worm wheel	1
52	1701028	Speed gage thrust bolt	1
53		Low synchronizer shell assy	
54		High synchronizer shell assy	

650 Commando

18 GEAR SHIFTED GEAR FORK



650 Commando

NO.	Code name	Description	Qty
1	1702014	Shift fork for the first gear	1
2	1702017	Shift fork for the first and the second gears	1
3	1702015	Shift fork for the third and the fourth gears	1
4	1702012	Reverse gear shift fork	1
5	1702011	Reverse gear shift cantilever	1
6	1702060	Shift fork assembly of reverse gear	1
7	GB5783-86	Bolt M10×1.25×35	1
8	1702019	Shift fork washer of reverse gear	1
9	1702014	Shift lever for first and the second gears	1
10	1702018	Shift lever for third and the fourth gears	1
11	1702016	Reverse gear shift lever	1
12	GB879-86	Pin 4.5×18	4
13	GB879-86	Pin 4.5×20	4
14	GB309-84	Needle 3×9.8	1
15	GB308-84	Steel ball 9.5250G60b	2
16	1701021	Hole plug	1
17	GB308-84	Steel ball 7.9375G60b	3
18	1702021	Locating spring of high and low speed shift level	2
19	1702022	Locating spring	1
20	1702082	Transposition Rocker arm	1
21	1702081	Transposition shaft	1
22	GB119-86	Pin D4×8	1
23	GB308-84	Steel ball 7.9375G60b	1
24	1702029	Locating spring	1
25	1702026	Transposition shaft washer	1
26	1702024	Long spring of Transposition shaft	1
27	1702025	Short spring of Transposition shaft	1
28	1702070	Shift shaft assembly	1
29	1702028	Transposition shaft rocker	1
30	GB879-76	Pin 5×22	1
31	1702040	Seal ring assembly of shift shaft	1
32	1702027	Dirt guard of Shift shaft	1
33	GB308-84	Steel ball 7.9375 G60b	1
34	1702022	Locating spring	1
35	1702019	Shifted gear shifting fork washer of reverse gear	1
36	ZBT31033-88	Hollow-headed and cross recess bolt M10×1.25×9	1
37	1702023	Transposition shaft cap	1
38	GB345.1-82	"O" type seal ring 9.5×2.65	1
39	GB789--86	Bolt AM6×20	1