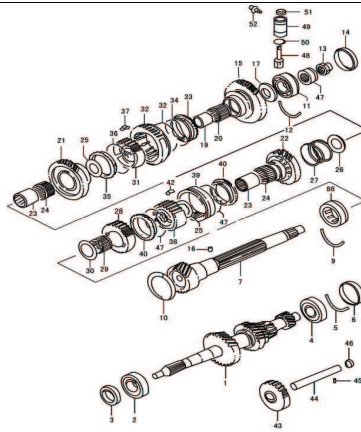
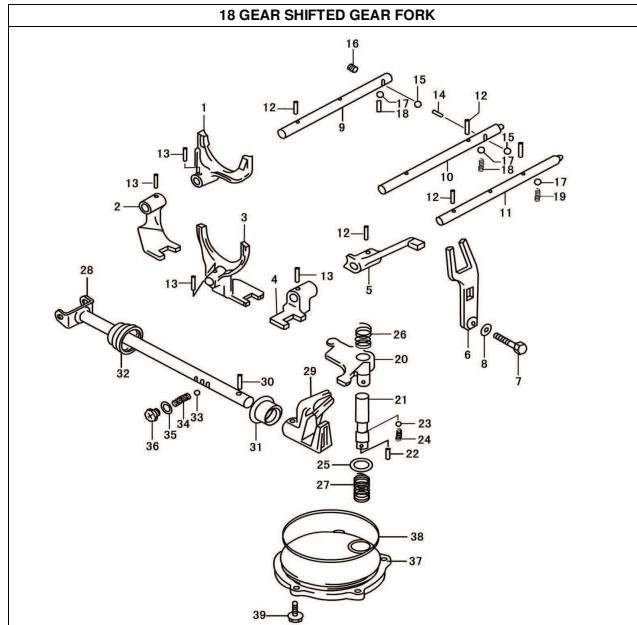


**17 FIRST SHAFT AND COUNTERSHAFT**



No.	Code name	Description	Qty	QTY-1/S	QTY-O/H	RETAIL
1	1701130	The first shaft assembly	1			155.82
2	GB/T276—94	Endocentric ball bearing 6204—2RS/P53	1			11.76
3	1701310	The first shaft seal ring assembly	1			2.64
4	GB/T276—94	Endocentric ball bearing 6204—2RS/P53	1			11.76
5	1701011	Thrust ring of the first shaft bearing	1			0.72
6	1701120	The first shaft seal cap assembly	1			1.56
7	1701201	Countershaft	1			121.20
8	1701250	Cylindrical roller bearing with Locking notch and without inner circle	1			20.82
9	1701013	Thrust ring of countershaft bearing (right)	1			0.72
10	1701060	Sealing cap assembly of countershaft (right)	1			1.98
11	GB/T276—94	Endocentric ball bearing 6204—2RS/P53	1			11.76
12	1701012	Thrust ring of countershaft bearing (left)	1			0.72
13	1701219	Tight nut of countershaft	1			80.52
14	1701050	Sealing cap assembly of Countershaft (left)	1			1.98
15	1701211	The first gear of countershaft	1			67.50
<b>17 FIRST SHAFT AND COUNTERSHAFT</b>						
						0.00
No.	Code name	Description	Qty			0.00
16	GB309—84	Needle P2×7.8	1			0.30
17	1701203	The first gear gasket of countershaft	1			1.74
18	GB308—84	Steel ball4.7625G60b	1			0.30
19	1701204	First gear bushing ring of countershaft	1			5.88
20	GB5846—86	Needle bearing K253024	1			7.80
21	1701212	The second gear of countershaft	1			63.66
22	1701213	The third gear of countershaft	1			66.36
23	1701205	The second and the third gears bushing ring	2			7.14
24	GB5846—86	Needle bearing K303520	2			9.18
25	1701206	The second and the third gears gasket	2			0.72
26	1701208	The third gear spacer	1			1.08
27	1701207	The second and the third gears pressure spring	1			1.98
28	1701214	Fourth gear of countershaft	1			6.54
29	GB5846—86	Needle bearing K253020	1			6.54
30	1701209	The fourth gear gasket	1			0.78
31	1701232	Low synchronizer shell	1			#VALUE!
32	1701231	Low synchronizer sleeve	1			#VALUE!
33	1701215	Low synchronizer ring (left)	1			14.46
34	1701217	Low synchronizer ring spring	1			1.98
35	1701216	Low synchronizer ring (right)	1			14.46
36	1701233	Low synchronizer spring	2			#VALUE!
37	1701234	Synchronizer guide block	3			#VALUE!
38	1701242	High synchronizer shell	1			#VALUE!
39	1701241	High synchronizer sleeve	1			#VALUE!
40	1701218	High synchronizer ring	2			13.02
41	1701243	High synchronizer spring	2			#VALUE!
42	1701234	Synchronizer guide block	3			#VALUE!
43	1701080	Racing gear of reverse gear	1			32.52
44	1701015	Reverse gear shaft	1			19.56
45	GB119—86	Pin D5×13	1			0.72
46	1701070	Sealing cap assembly of reverse gear shaft	1			0.78
47	1701202	Speed gage worm	1			12.36
48	1701029	Speed gage worm wheel	1			5.88
49	1701401	Speed gage worm wheel bushing ring	1			6.00
50	GB3452.1—82	"O" type seal ring	1			0.42
51	1701410	Seal ring assembly of Speed gage worm wheel	1			1.38
52	1701028	Speed gage thrust bolt	1			0.72
53		Low synchronizer shell assy				80.52
54		High synchronizer shell assy				51.96



NO.	Code name	Description	Qty	QTY-1/S	QTY-0/H	RETAIL
1	1702014	Shift fork for the first gear	1			29.82
2	1702017	Shift fork for the first and the second gears	1			10.44
3	1702015	Shift fork for the third and the fourth gears	1			33.78
4	1702012	Reverse gear shift fork	1			20.82
5	1702011	Reverse gear shift cantilever	1			11.76
6	1702060	Shift fork assembly of reverse gear	1			20.82
7	GB5783—86	Bolt M10×1.25×35	1			1.02
8	1702019	Shift fork washer of reverse gear	1			0.60
9	1702014	Shift lever for first and the second gears	1			32.52

18 GEAR SHIFTED GEAR FORK						
NO.	Code name	Description	Qty	QTY-1/S	QTY-0/H	RETAIL
10	1702018	Shift lever for third and the fourth gears	1			33.78
11	1702016	Reverse gear shift lever	1			10.44
12	GB879—86	Pin 4.5×18	4			0.78
13	GB879—86	Pin 4.5×20	4			0.78
14	GB309—84	Needle 3×9.8	1			0.30
15	GB308—84	Steel ball 9.5250G60b	2			0.42
16	1701021	Hole plug	1			1.38
17	GB308—84	Steel ball 7.9375G60b	3			0.30
18	1702021	Locating spring of high and low speed shift level	2			0.72
19	1702022	Locating spring	1			0.72
20	1702082	Transposition Rocker arm	1			22.14
21	1702081	Transposition shaft	1			11.76
22	GB119—86	Pin D4×8	1			0.72
23	GB308—84	Steel ball 7.9375G60b	1			0.30
24	1702029	Locating spring	1			0.78
25	1702026	Transposition shaft washer	1			0.72
26	1702024	Long spring of Transposition shaft	1			1.68
27	1702025	Short spring of Transposition shaft	1			1.08
28	1702070	Shift shaft assembly	1			19.56
29	1702028	Transposition shaft rocker	1			23.58
30	GB879—76	Pin 5×22	1			1.02
31	1702040	Seal ring assembly of shift shaft	1			3.42
32	1702027	Dirt guard of Shift shaft	1			1.38
33	GB308—84	Steel ball 7.9375 G60b	1			0.30
34	1702022	Locating spring	1			0.72
35	1702019	Shifted gear shifting fork washer of reverse gear	1			0.60
36	ZBT31033—88	Hollow-headed and cross recess bolt M10×1.25×9	1			0.78
37	1702023	Transposition shaft cap	1			15.90
38	GB345.1—82	"O" type seal ring 9.5×2.65	1			1.56
39	GB789—86	Bolt AM6×20	1			0.72