



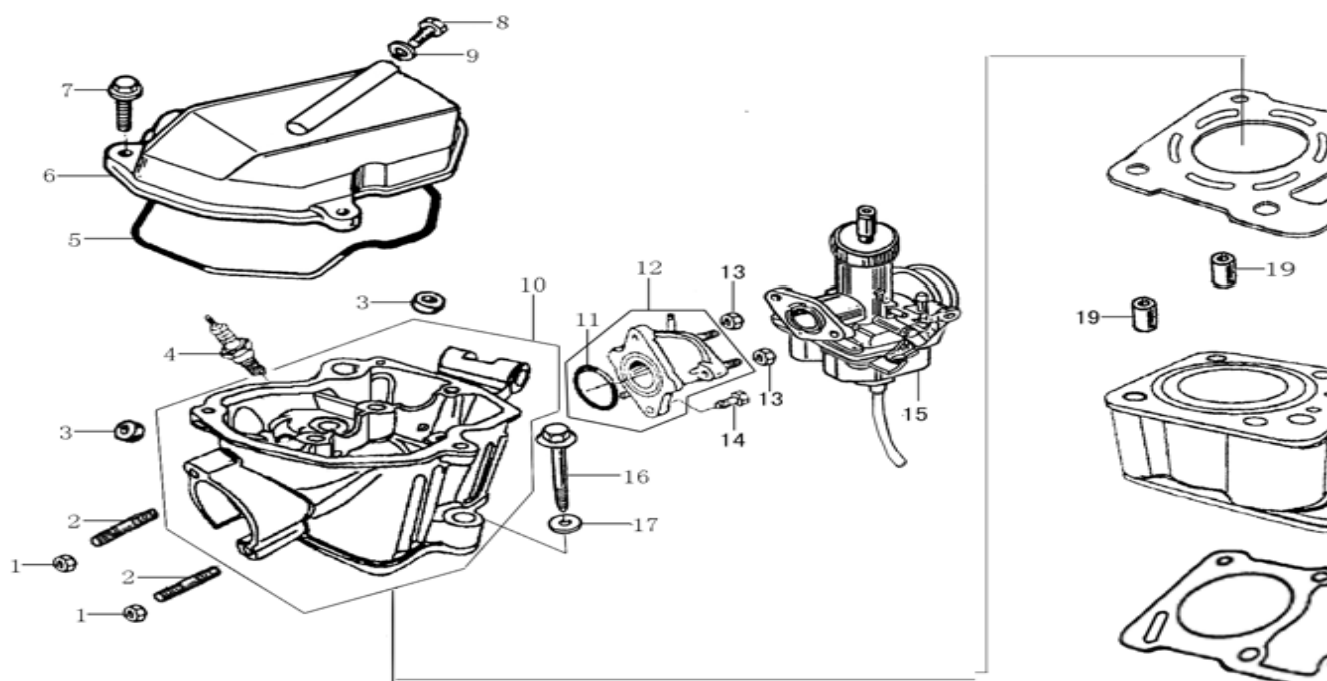
SUPER-ČTYŘKOLKY s.r.o., přímý dovoz

Žižkova 155, 411 55 Terezín, tel. 411 131 040, info@super-ctyrkolky.cz, www.super-ctyrko

**XPLORER/HARDORKER 250ccm/LYDA203E, 203E-1 KA**

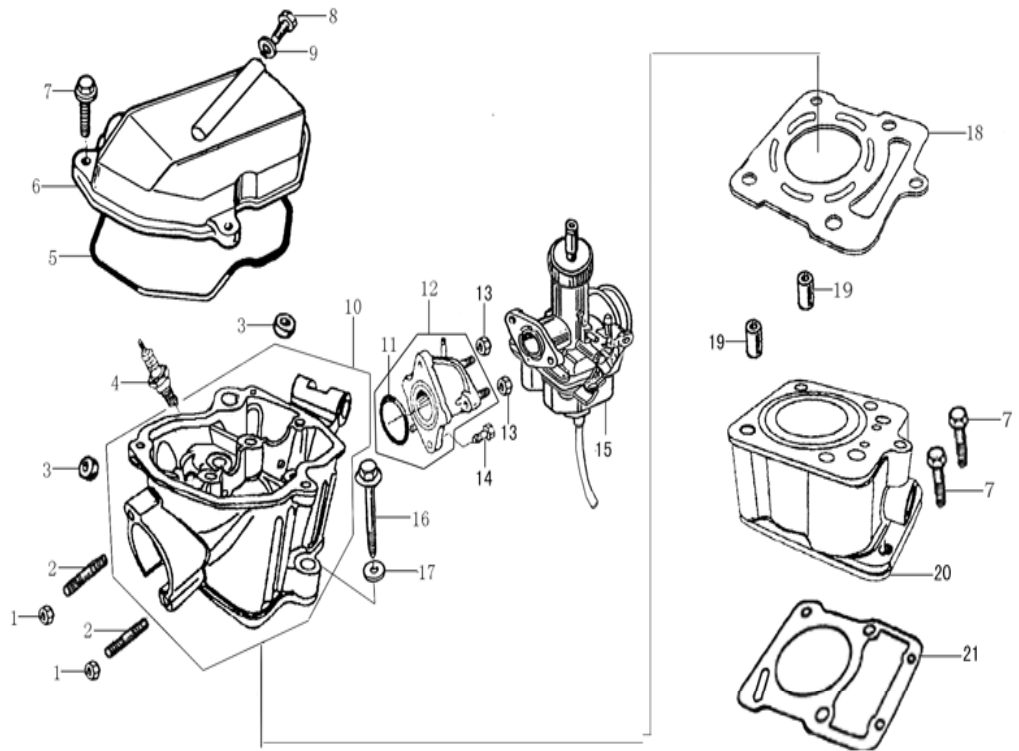


Válec



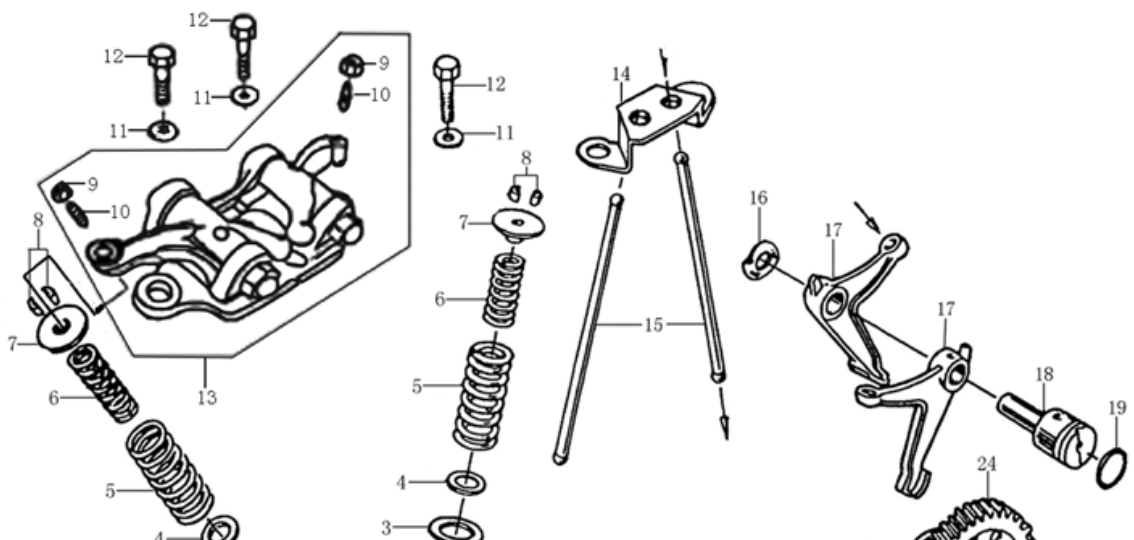
NO	PARTS NO.		POPIS	CENA S DPH
1	B06170000800009	NUT M8	MATKA M8	17
2	91138-G012-0000	STUD M8×36	ŠROUB M8×36	14
3	1572B-I008-0000	VALVE STEM SEAL ASSY	Těsnění ventil	26
4	81300-I006-0000	SPARK PLUG (D8TC)	Svíčka DR8-EA	89
5	90103-LA51-0000	SEAL RING, CYLINDER HEAD UP	Těsnící kroužek, CYLINDER HEAD UPPER C	49
6	11226-LA73-0000	CYLINDER HEAD UPPER COVER	Kryt hlavy válce	490
7	B05789000600287	BOLT M6×28	BOLT ŠROUB	2
8	B05789000600127	BOLT M6×12	BOLT M6×12	15
9	93301-	WASHER 6.5×1×12	PODLOŽKA 6.5×1×12	1
10	1122B-MA97-1000	CYLINDER HEAD ASSY	Hlava Válce	3420
11	90101-	O-RING 33.5×3	O-kroužek 33.5×3	11
12	15800-L044-41HB	PIPE COMP,INTAKE (JQ-41)	Příruba karburátoru	360

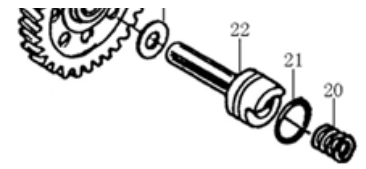
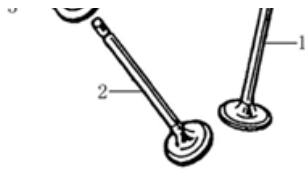
14	B05783000600207 00	BOLT M6×20	ŠROUB M6×20	1,2
15	17100-MA97-0000	CARBURETOR ASSY	KARBURATOR	1160
<b>Válec</b>				



NO.	PARTS NO.	POPIS	CENA S DPH
16	91104-MA95-0000	ŠROUB M8×82	20
17	93301-	PODLOŽKA 8.5×2.2×18	5
18	9022B-MA97-0000	těsnění, hlava válce	147
19	91521-	závlačka 10×20	1,7
20	1110B-MA97-0000	Válec	1090
21	90205-LA73-0000	Těsnění, válec	49

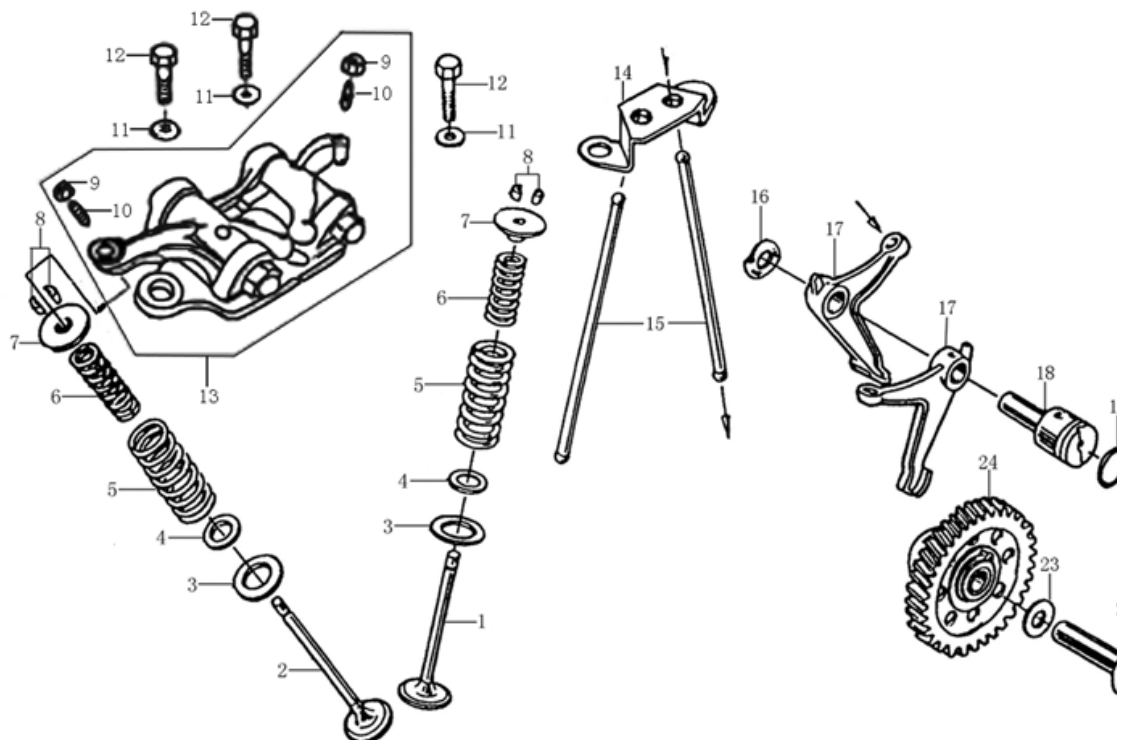
### Vačka a ventily





NO.	PARTS NO.		POPIS	CENA S DPH
1	15701-LA01-0000	INLET VALVE	sací ventil	360
2	15702-LA01-0000	OUTLET VALVE	výpustní ventil	360
3	15706-I008-0000	SPPING SEAT VALVE	jistící kroužek	19
4	15708-I008-0000	INNER SPRING SEAT, VALVE	vnitřní jistící kroužek	19
5	15703-I008-0000	OUTER SPRING	vnější pružina	39
6	15704-I008-0000	INNER SPRING	vnitřní pružina	39
7	15705-I006-0000	RETAINER, VALVE SPRING		55
8	15707-I006-0000	VALVE COTTER		4,8
9	15403-I008-0000	ADJUSTING NUT, VALVE CLEAR.	štelovací matice, vůle ventilů	1,7
10	15404-I008-0000	ADJUSTING SCREW, VALVE CLE.	štelovací matice, vůle ventilů	1,7
11	93301-80852218000	WASHER 8.5×2.2×18	podložka 8.5×2.2×18	4,8
12	91180-IA20-0000	BOLT M8×33	ŠROUB M8×33	6,5
13	1540A-IA20-0000	ARM ROCKER ASSY	Vidlička	349
14	15501-LA73-0000	PUSH LEVER STAND		21
15	1532A-MA95-0000	PUSH LEVER COMP		69

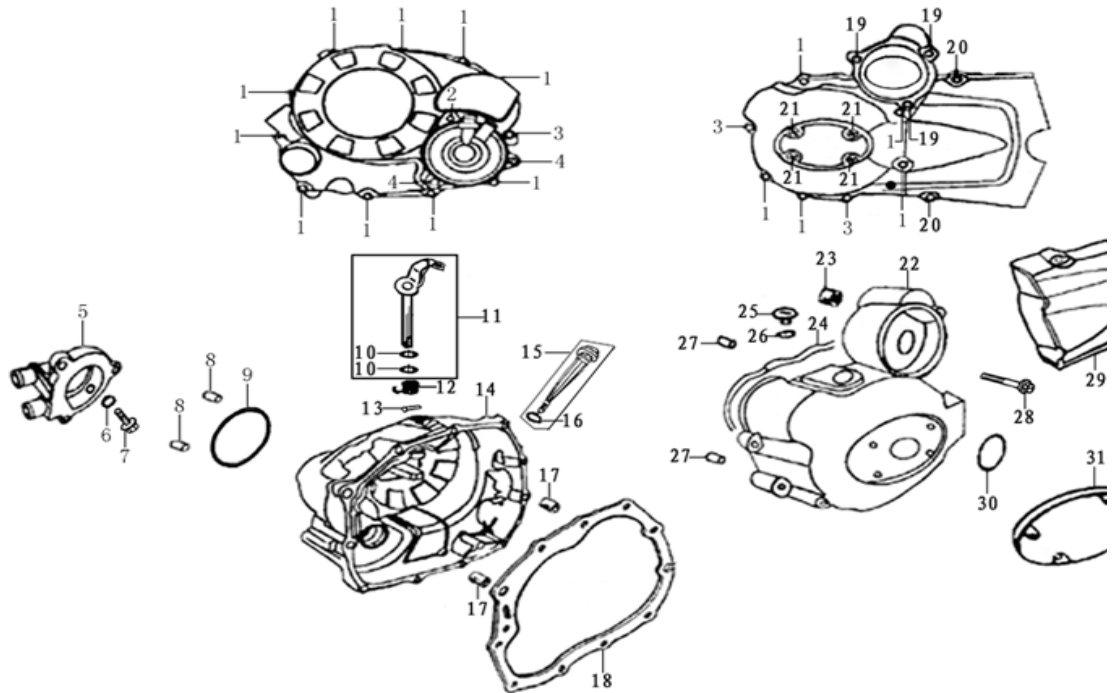
### Vačka a ventily



NO.	PARTS NO.		POPIS	CENA S DPH
16	93303-51230220900	WAVE WASHER 12.3×0.2×20.9	podložka 12.3×0.2×20.9	41
17	15407-I008-0000	LOWER ROCKER ARM	spodní vislička	360
18	15408-I008-0000	SHAFT, LOWER ROCKER ARM	vrchní vidlička	360

20	15109-I008-0000	SPRING	pružina	5
21	90101-20200000250	O-RING 20×2.5	O-kroužek 20×2.5	8
22	15105-J034-0000	AIR MLET CAM SHAFT	vpust' , vačka	280
23	93301-51421024000	THRUST WASHER 14.2×1×24	podložka jistící 14.2×1×24	4,3
24	1510A-I008-0000	TIMING DRIVEN SPROCKET CON	časovací ozubené kolečko , vačka	429

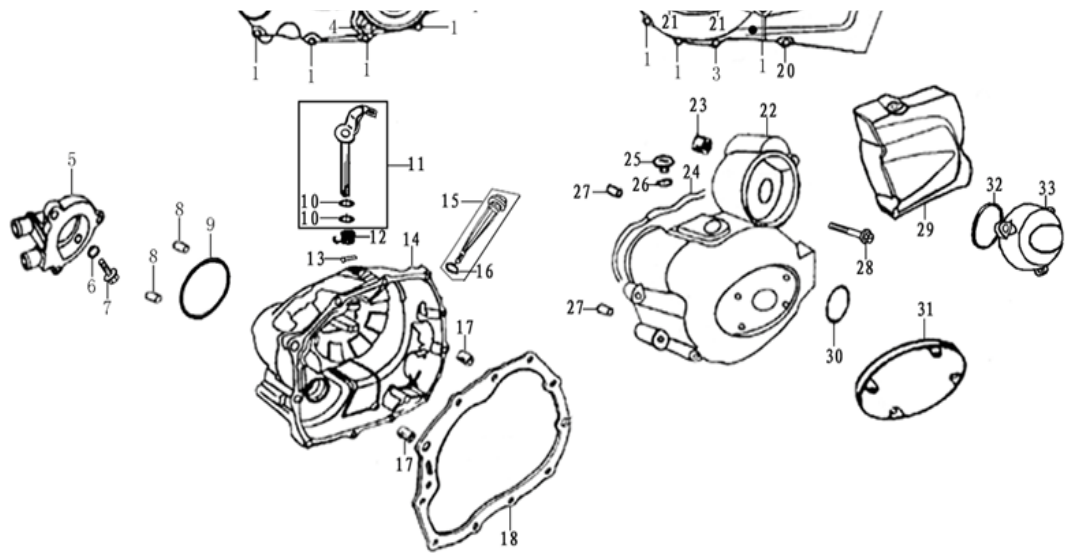
## ROZVODOVÁ SKŘÍŇ



NO.	PARTS NO.		POPIS	CENA S DPH
1	B166740A0600407	BOLT M6×40	ŠROUB M6×40	2,3
2	B166740A0600167	BOLT M6×16	ŠROUB M6×16	1,4
3	B166740A0600507	BOLT M6×50	ŠROUB M6×50	2,9
4	B166740A0600257	BOLT M6×25	ŠROUB M6×25	1,9
5	19001-IA20-0003	WATER PUMP COVER	kryt vodní pumpy	249
6	90101-30085000190	O-RING 8.5×1.9	O-kroužek 8.5×1.9	7,3
7	91132-IA20-0000	BOLT M8×10	ŠROUB M8×10	6,3
8	91521-08001200063	DOWEL PIN 8×12	závlačka PIN 8×12	1
9	90101-30630000265	O-RING 65×2.65	O-kroužek 65×2.65	15
10	90101-10090000180	O-RING 9×1.8	O- kroužek 9×1.8	5
11	2242A-I006-0300	CLUTCH LEVER ASSY	táhlo spojka	156
12	22427-I006-0000	CLUTCH LEVER SPRING 3*12	CLUTCH LEVER SPRING 3*12	19
13	B008790103012000	POSITION PIN	poziční závlačka	1,8
14	12421-IA20-0501	R.CRANKCASE COVER ASSY	pravý kryt motoru	1290
15	14301-I006-0000	OIL RULER ASSY	OIL RULER ASSY	13

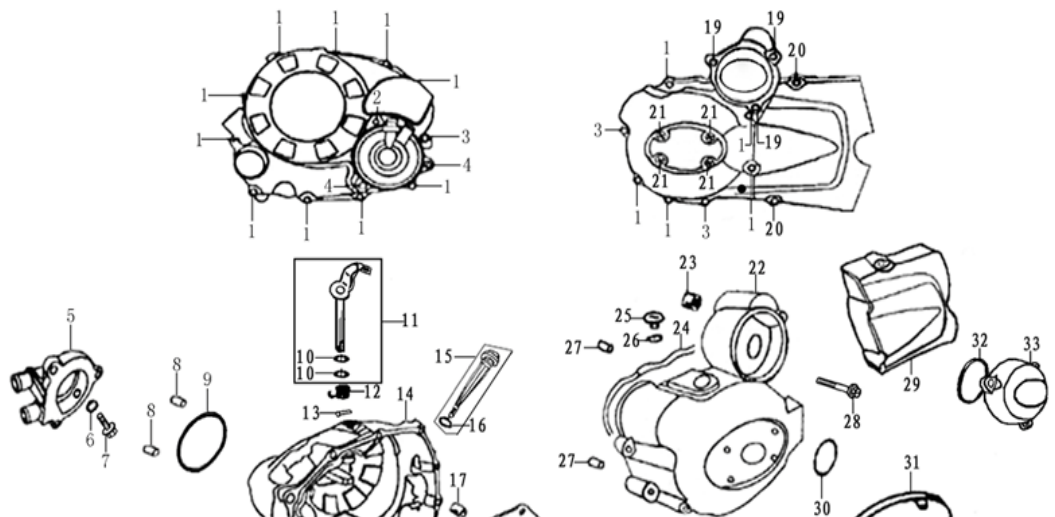
## Kryt motoru





NO.	PARTS NO.		POPIS	CENA S DPH
16	90101-10180000300	O-RING 18×3	O-RING 18×3	7,3
17	91521-08001400000	DOWEL PIN 8×14	DOWEL PIN 8×14	1,2
18	90206-I008-0000	GASKET,R.CRANKCASE COVER	GASKET,R.CRANKCASE COVER	49
19	B166740A0600207	ŠROUB M6×20	ŠROUB M6×20	1,8
20	B166740A0600287	ŠROUB M6×28	ŠROUB M6×28	1,9
21	B00818000600122	ŠROUB M6×12	ŠROUB M6×12	1,9
22	12301-I008-1000	kryt motoru	kryt motoru	990
23	92102-000HK10141	NEEDLE BEARING (HK101410)	NEEDLE BEARING (HK101410)	35
24	90204-I008-0000	GASKET , L.CRANKCASE COVER	GASKET , L.CRANKCASE COVER	8
25	12303-G011-0000	CAP, SMALL SIGHT HOLE	CAP, SMALL SIGHT HOLE	17
26	90101-10132000265	O-RING 13.2×2.65	O-RING 13.2×2.65	15,7
27	91521-10001400000	DOWEL PIN 10×14	DOWEL PIN 10×14	1,2
28	B166740A0600257	ŠROUB M6×25	ŠROUB M6×25	1,9
29	12302-I008-1000	kryt malé rozety, pravý kryt zadní	kryt malé rozety, pravý kryt zadní	490
30	90101-10274000265	O-kroužek 27.4×2.65	O-kroužek 27.4×2.65	20

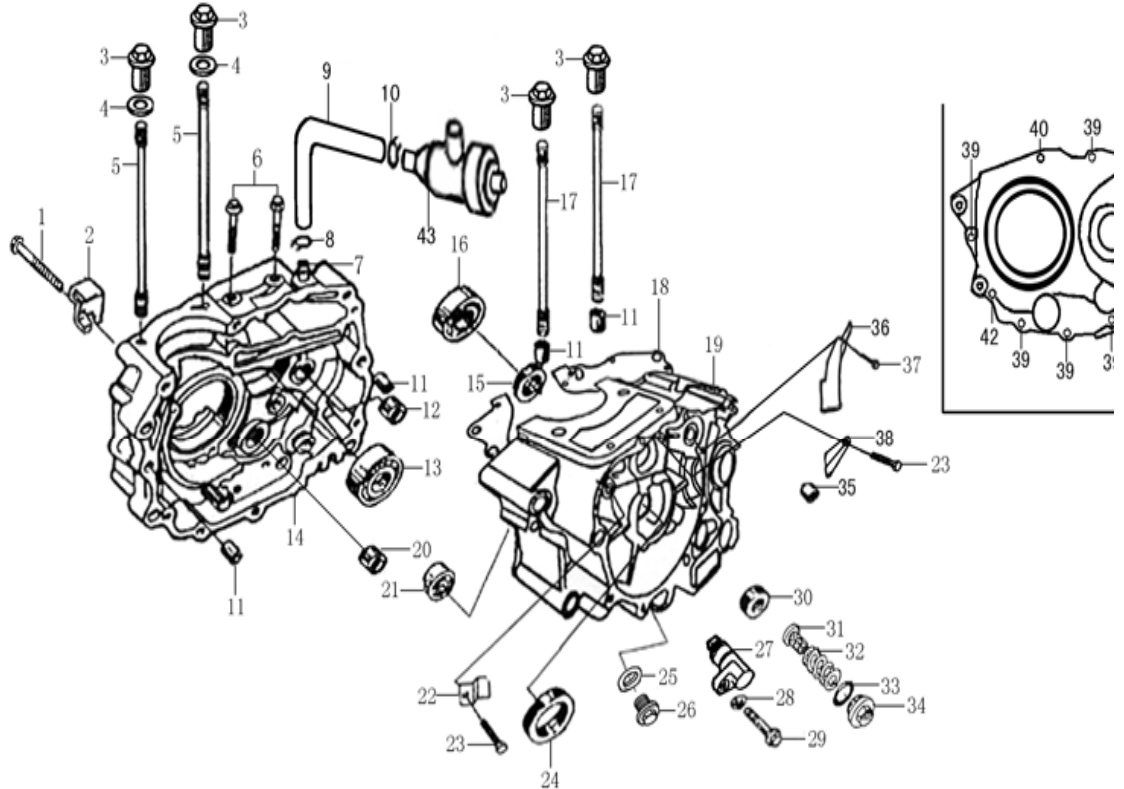
### Kryt motoru





NO.	PRRTS NO.		POPIS	CENA S DPH
31	12307-I008-1000	ozdobný kryt	ozdobný kryt	149
32	90101-10620000300	O-kroužek 62×3	O-kroužek 62×3	15
33	12308-I008-1000	kryt redukce	kryt redukce	180

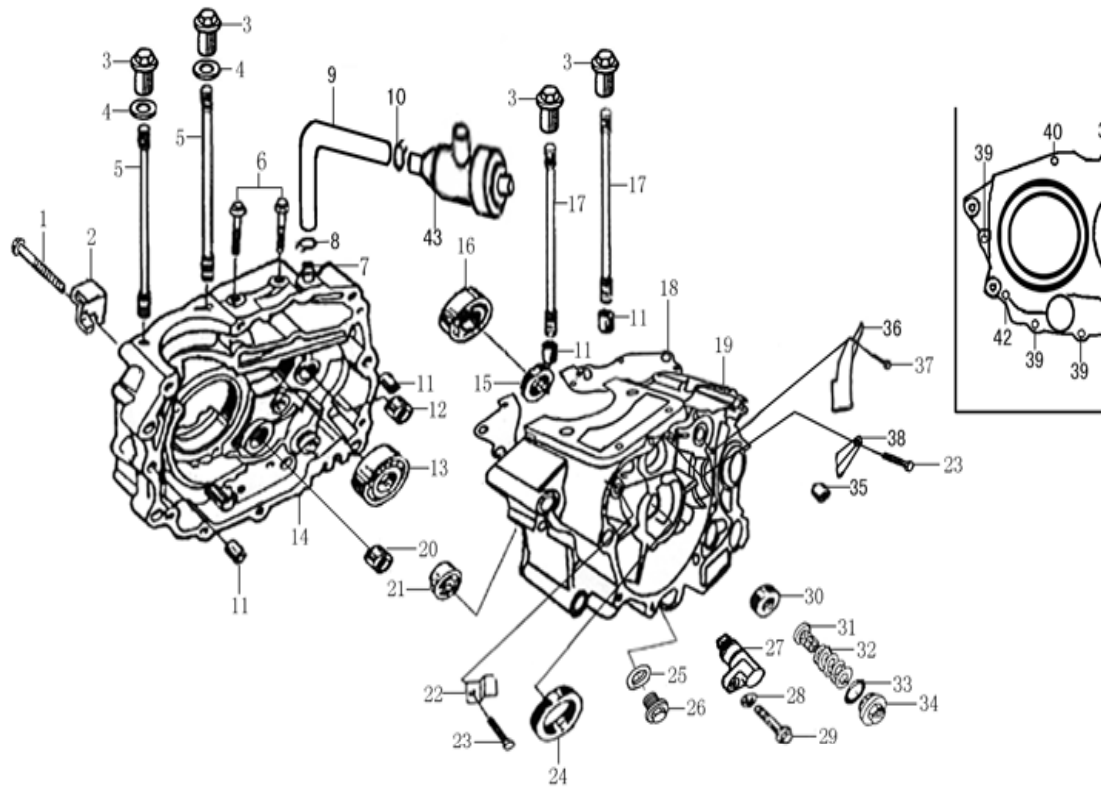
### MOTOR - skříň



NO.	PARTS NO.		POPIS	CENA S DPH
1	B166740A0600657	ŠROUB M6×65	ŠROUB M6×65	8
2	22422-I006-0001	CLUTCH CABLE STAND	CLUTCH CABLE STAND	53
3	91212-I008-0000	NUT M8×32	NUT M8×32	3,2
4	93301-C1252022001	WASHER 12.5×2×22	WASHER 12.5×2×22	24
5	91102-MA95-0000	STUD B	STUD B	60
6	B05789000600287	ŠROUB M6×28	ŠROUB M6×28	3,2
7	12109-I006-0000	BREATHER TUBE	BREATHER TUBE	3,2
8	16157-I008-0300	BREATHER TUBE	BREATHER TUBE	8
9	12105-J034-0000	BREATHER TUBE	BREATHER TUBE	36
10	16157-I008-0100	BREATHER TUBE	BREATHER TUBE	18
11	91521-10001400000	DOWEL PIN 10×14	DOWEL PIN 10×14	3,2
12	92102-000NK15271	NEEDLE BEARING (NK152712)	NEEDLE BEARING (NK152712)	52
13	92102-00000006006	ložisko (6006)	ložisko (6006)	239

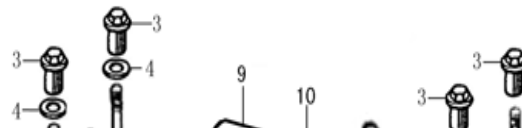
15	90303-I006-0000	OIL SEAL 20×34×7	OIL SEAL 20×34×7	52
----	-----------------	------------------	------------------	----

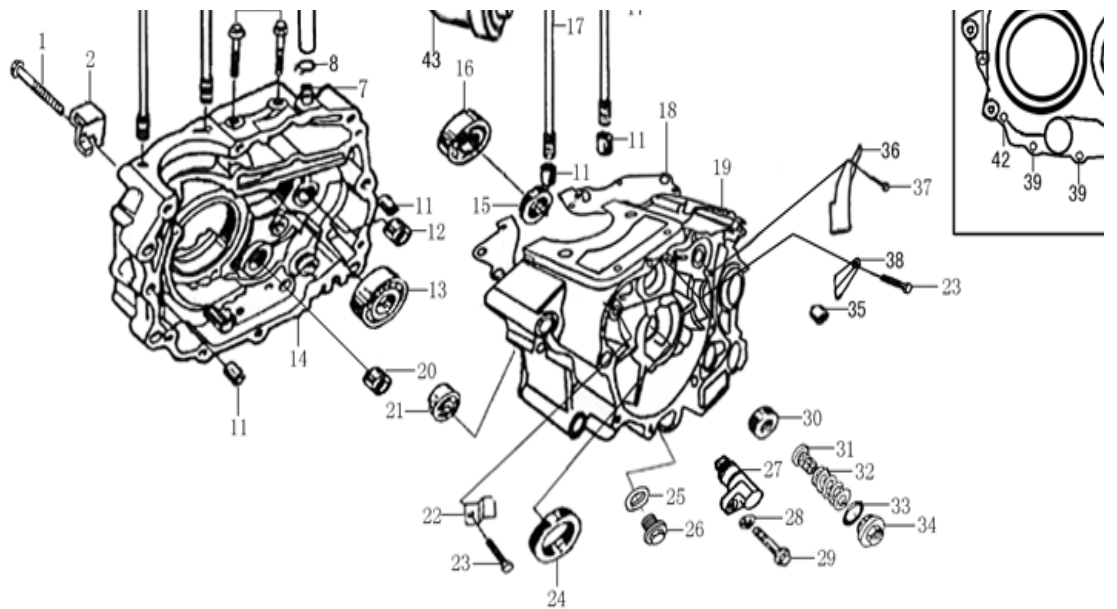
E-4 曲轴箱 Crankcase



NO.	PARTS NO.	配件名称	Description	CENA S DPH
16	92102-0000006204	轴承 (6204)	ložisko(6204)	239
17	91101-MA95-0000	CG250气缸双头螺栓A	STUDA	52
18	90208-LA73-0000	CG200-A水冷曲轴箱密封垫	těsnění , blok otvoru	49
19	1212B-MA97-0000	CG250水冷摩擦倒档左曲轴箱组合	levý blok motoru, levý karter	2300
20	92102-00000HK211	滚针轴承(HK2110)	NEEDLE BEARING (HK2110)	67
21	92102-0000006202Z	轴承 (6202Z)	ložisko (6202Z)	249
22	12102-I008-0000	CG125D齿轮定位板	GEAR LOCATING PLATE	36
23	B05783000600127	螺栓 M6×12	ŠROUB M6×12	19
24	90302-I008-0000	CG125D曲轴油封 34×50×7	těsnění, symering 34×50×7	45
25	93301-71251520000	铝垫圈 12.5×1.5×20	WASHER 12.5×1.5×20	18
26	91103-D002-0000	70放油螺塞 M12×1.5	DRAIN PLUG M12x1.5	36
27	1213B-MA95-0000	CG250压销体组合	PRESSING PIN ASSY	39
28	93301-60671014400	止推垫圈 6.7×1×14.4	jisticí podložka 6.7×1×14.4	8
29	B05783000600257	螺栓 M6×25	ŠROUB M6×25	3,2
30	90301-I006-0000	CB125换挡臂油封 14×28×7	těsnění olejové 14×28×7	30

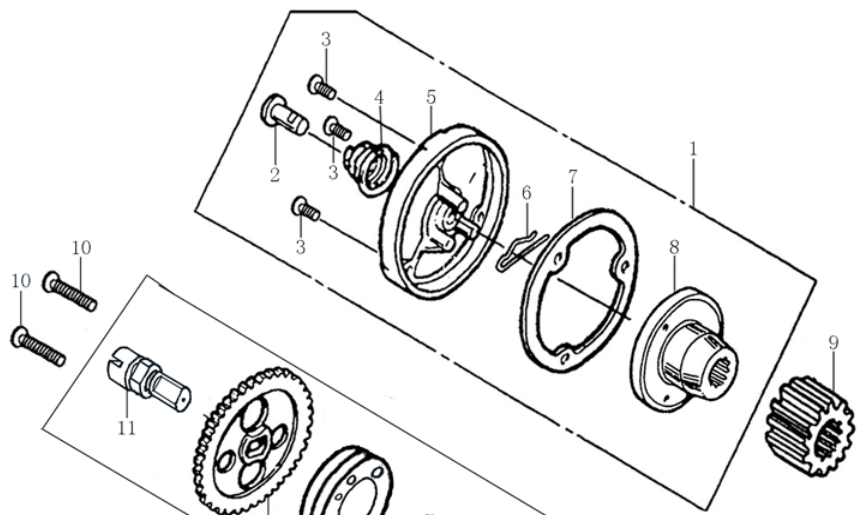
Motor - skříň



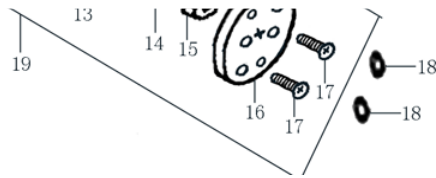


NO.	PARTS NO.		POPIS	CENA S DPH
31	1431B-I006-0000	OIL MESH SCREEN COMP	OIL MESH SCREEN COMP	10
32	14221-I006-0000	SPRING,OIL MESH SCREEN	SPRING,OIL MESH SCREEN	3
33	90101-20350000300	O-RING 35×3	O-kroužek 35×3	10
34	11230-I006-0000	VALVE COVER	VALVE COVER	35
35	92102-00000HK101	NEEDLE BEARING (HK101410)	NEEDLE BEARING (HK101410)	82
36	12103-I008-0000	PLATE	PLATE	36
37	B166740A0600127	BOLT M6×12	BOLT M6×12	1,9
38	15108-I008-0000	POSITION PLATE , CAMSHAFT	POSITION PLATE , CAMSHAFT	36
39	B166740A0600507	ŠROUB M6×50	ŠROUB M6×50	1,9
40	B166740A0601007	ŠROUB M6×100	ŠROUB M6×100	8,2
41	B166740A0600707	ŠROUB M6×70	ŠROUB M6×70	2,4
42	B166740A0600607	ŠROUB M6×60	ŠROUB M6×60	2,4
43	12162-MA75-0000	SEPARATOR, FUEL AND AIR	SEPARATOR, vzduchu a paliva	82

### Olejevá pumpa

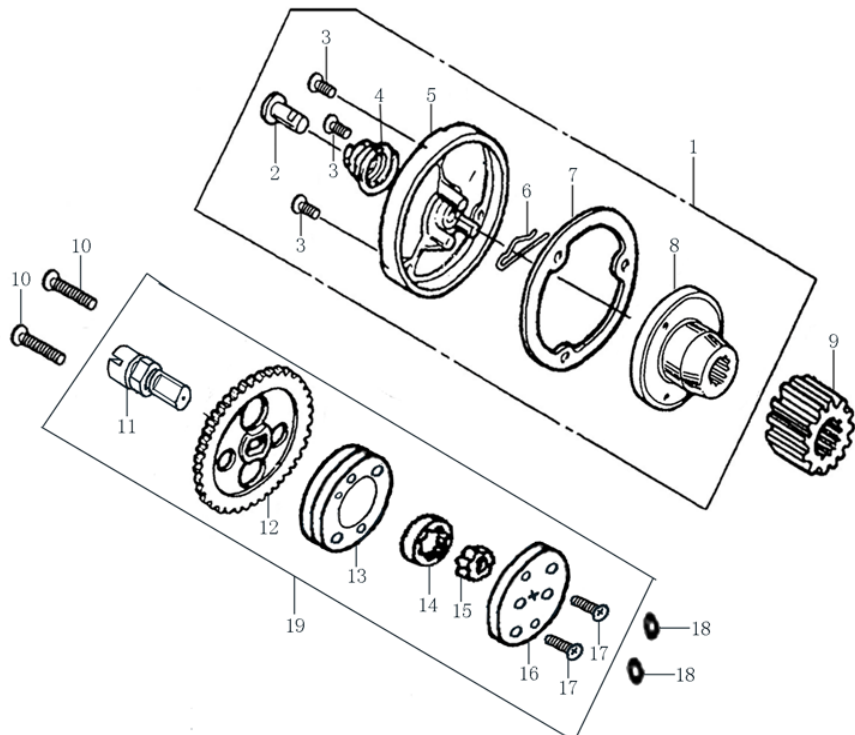






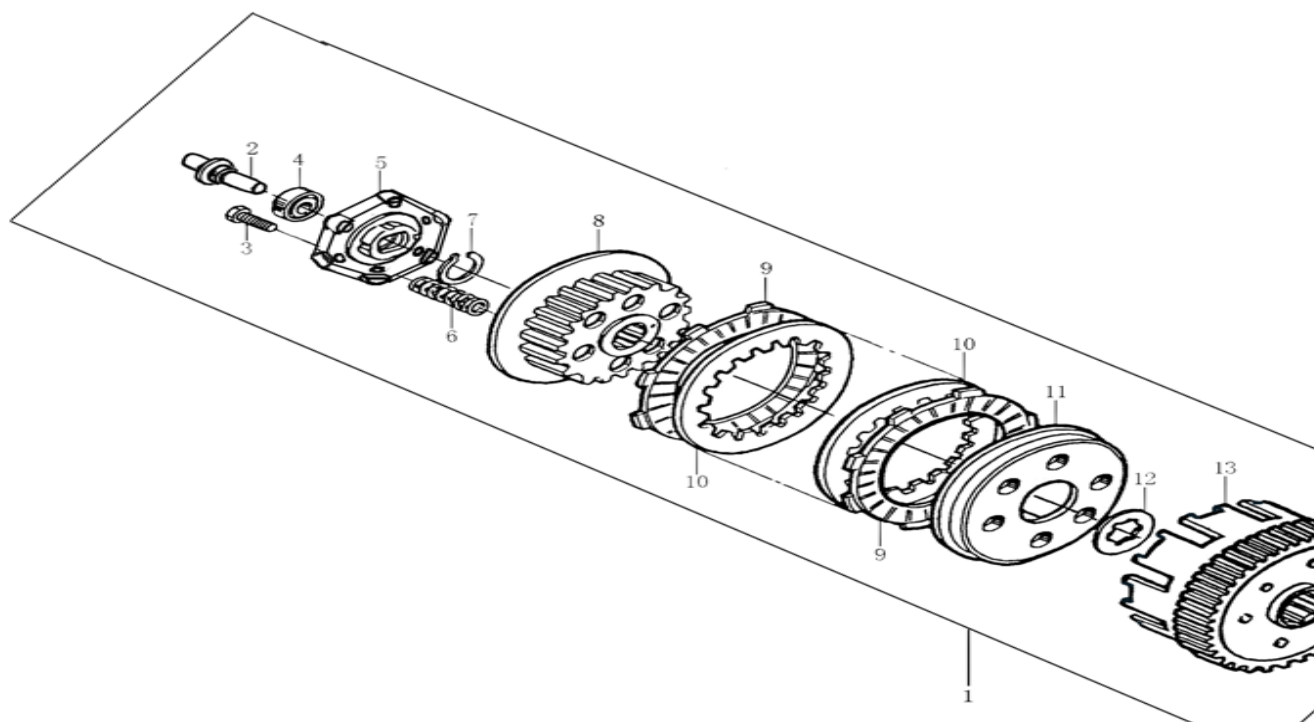
NO.	PARTS NO.		POPIS	CENA S DPH
1	14200-IA20-0100	OIL FILTER COMP	OIL FILTER COMP	490
2	14201-I006-0000	EX-TUBE,OIL	EX-TUBE,OIL	76
3	B00820000500122	ŠROUB M5×12	ŠROUB M5×12	1,9
4	14202-I006-0000	SPRING,EX TUBE	SPRING,EX TUBE	3,2
5	14207-I006-0000	COVER,OIL FILTER	COVER,OIL FILTER	36
6	14208-I006-0000	COTTER PIN,OIL FILTER	COTTER PIN,OIL FILTER	18
7	90209-IA20-0000	GASKET,FILTER HEAD COVER	GASKET,FILTER HEAD COVER	8,2
8	14203-IA20-0100	OIL FILTER BODY	OIL FILTER BODY	36
9	23101-I006-0000	DRIVE GEAR	DRIVE GEAR	170
10	B00819010600302	ŠROUB M6×30	ŠROUB M6×30	3,2
11	14107-LA73-0000	DRIVE SHAFT, GEAR	DRIVE SHAFT, GEAR	51
12	14102-LA73-0000	DRIVE GEAR,OIL PUMP	DRIVE GEAR,OIL PUMP	76
13	14110-LA73-0000	OIL PUMP CASING	OIL PUMP CASING	99
14	14112-LA73-0000	OUTER ROTOR,OIL PUMP	OUTER ROTOR,OIL PUMP	89
15	14111-LA73-0000	INNER ROTOR,OIL PUMP	INNER ROTOR,OIL PUMP	79

### Olejevá pumpa



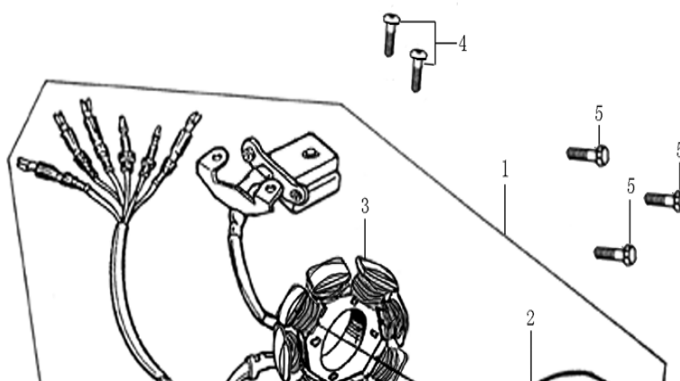
NO.	PARTS NO.		POPIS	CENA S DPH
16	14108-I006-0000	OIL PUMP COVER	OIL PUMP COVER	7
17	B00819000400122	SCREW M4×12	SCREW M4×12	1,8
18	90101-10094000240	O-RING 9.4×2.4	O-RING 9.4×2.4	38

## E-6 离合器 Clutch



NO.	PARTS NO.		POPIS	CENA S DPH
1	22000-MA96-0000	CLUTCH COMP	SPOJKA, komplet	1490
2	22403-I006-0000	PUSH ROD, CLUTCH	PUSH ROD, CLUTCH	52
3	91129-I008-0000	BOLT M6×25	BOLT M6×25	3,2
4	92102-00000016003	BEARING (6001)	ložisko (6001)	239
5	22121-LA12-0000	END COVER, CLUTCH	END COVER, CLUTCH	52
6	22142-LA73-0000	SPRING, CLUTCH	SPRING, CLUTCH	36
7	91403-I008-0000	CIRCLIP 20	CIRCLIP 20	8,2
8	22105-LA73-0000	CENTRAL SLEEVE., CLUTCH	CENTRAL SLEEVE., CLUTCH	600
9	22214-LA73-0000	FRICION PLATE ASSY	FRICION PLATE ASSY	26
10	22215-LA73-0000	FRICION PLATE ASSY	FRICION PLATE ASSY	24
11	22122-LA73-0100	CLUTCH PRESSING PLATE	CLUTCH PRESSING PLATE	430
12	22002-I006-0000	SPLINE WASHER	SPLINE WASHER	8
13	22150-LA73-0100	CLUTCH OUTER CASE COMP	CLUTCH OUTER CASE COMP	770

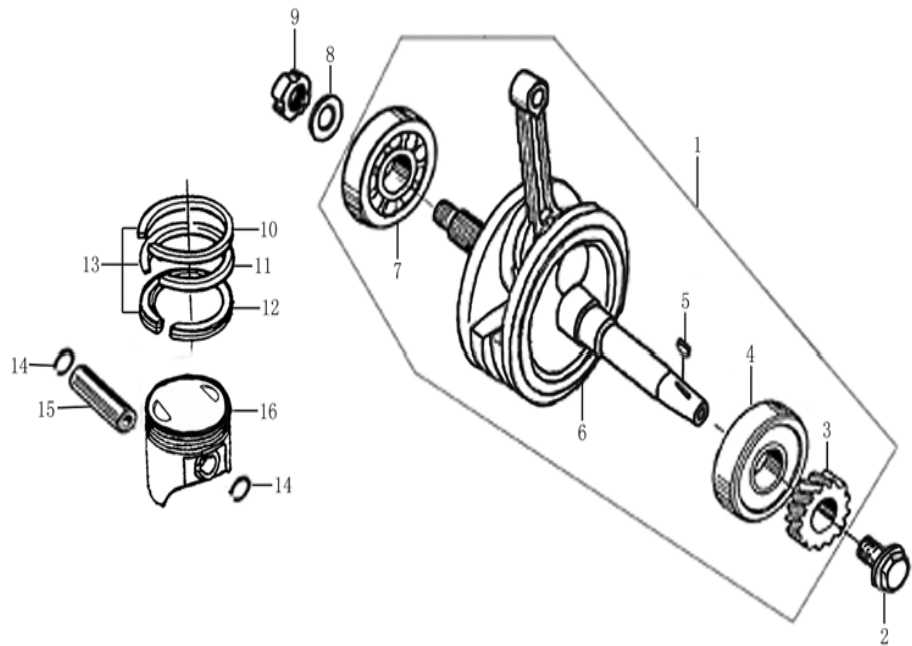
### Magneto





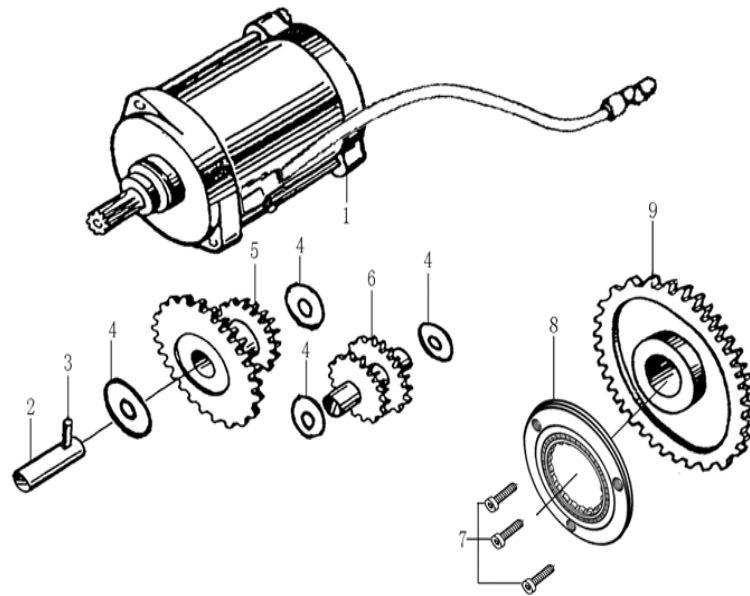
NO.	PARTS NO.		POPIS	CENA S DPH
1	82100-I008-0000	MAGNETO	MAGNETO	1489
2	82130-I008-0000	ROTOR MAGNETO	ROTOR MAGNETO	999
3	82120-I008-0100	STATOR MAGNETO CÍVKY	STATOR MAGNETO - CÍVKY	490
4	B00823000500162	ŠROUB M5×16	ŠROUB M5×16	3,2
5	B05783000500257	ŠROUB M5×25	ŠROUB M5×25	3,2

E-8 曲轴、活塞、连杆部件 Crankshaft、Piston、Connecting rod



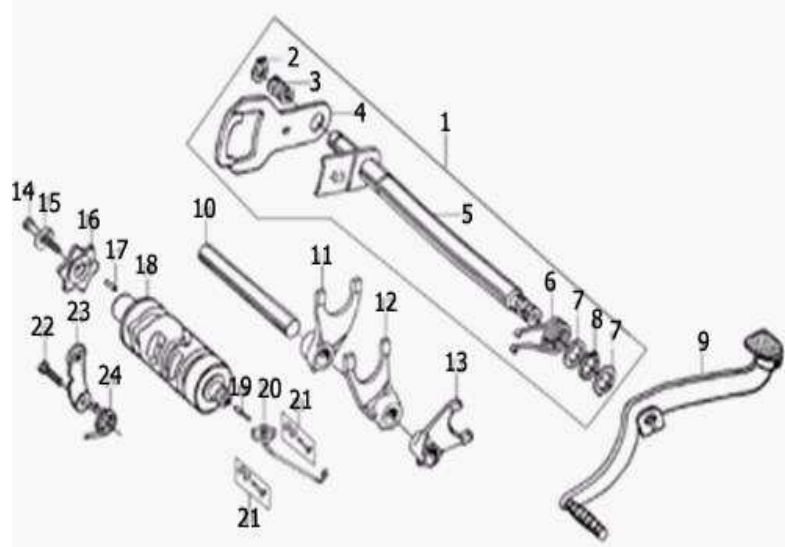
NO.	PARTS NO.		POPIS	CENA S DPH
1	1320B-MA97-0000	CRANKSHAFT CONNECTING RO	KLIKA	2890
2	91106-I008-0000	ŠROUB M10×36	ŠROUB M10×36	8,2
3	13222-I008-0000	CRANKSHAFT TIMING GEAR	CRANKSHAFT TIMING GEAR	340
4	92102-0063-28-1RS	BEARING (63/28-1RS)	BEARING (63/28-1RS)	82
5	91601-I006-0000	SEMICIRCLE KEY 25×14×4	SEMICIRCLE KEY 25×14×4	16
6	13220-MA97-0000	CONNECTING ROD COMP 3	CONNECTING ROD COMP 3	3460
7	92102-0063-28-1P5	BEARING(63/28/1P5)	BEARING(63/28/1P5)	164
8	22004-I006-0000	DISH WASHER	DISH WASHER	24
9	91203-I008-0000	NUT, OIL FILTER	NUT, OIL FILTER	36
10	13103-L067-0000	PISTON RING 1	pístní kroužky, komplet sada	445
11	13104-L067-0000	PISTON RING 2	pístní kroužky, komplet sada	
12	13120-L067-0000	OIL RING ASSY	pístní kroužky, komplet sada	
13	1310A-L067-0000	PISTON RING COMP	pístní kroužky, komplet sada	
14	91401-L067-0000	CLIPCLIP, PISTON PIN	CLIPCLIP, PISTON PIN	16
15	13102-LA51-0000	PISTON PIN	čep pístu	170

## elektrický startér



NO.	PARTS NO.	配件名称	Description	CENA S DPH
1	82200-LA73-0002	STARTING MOTOR ASSY	El. Startér	1790
2	21402-I008-0000	GEARSHAFT,CONNECTED	GEARSHAFT,CONNECTED	86
3	91522-03000600000	LOCATING PIN 3×6	LOCATING PIN 3×6	17
4	93301-51050518000	WASHER 10.5×0.5×18	WASHER 10.5×0.5×18	16
5	2140A-I008-0000	GEAR,CONNECTED,1	GEAR,CONNECTED,1	172
6	21401-I008-0000	GEAR,CONNECTED,2	GEAR,CONNECTED,2	154
7	B0070010800187	SCREW M8×18	šroub M8×18	1,8
8	21300-LA73-0000	STARTER CLUTCH COMP.	volnoběžka	790
9	21422-LA73-0000	STARTER GEAR	kolo k volnoběžce	540

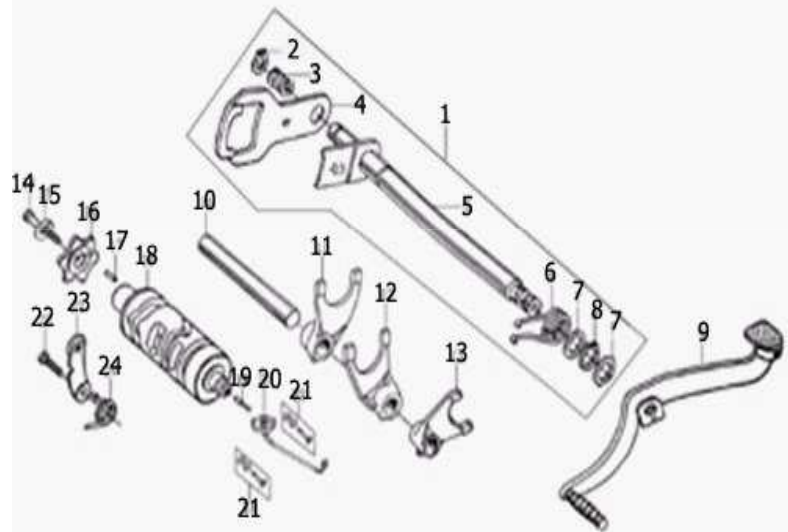
## řadící mechanismus



NO.	PARTS NO.		popis	CENA S DPH
1	24300-LA73-0100	ASSEMBLY, GEARSHIFT LEVER	řadící mechanismus	580

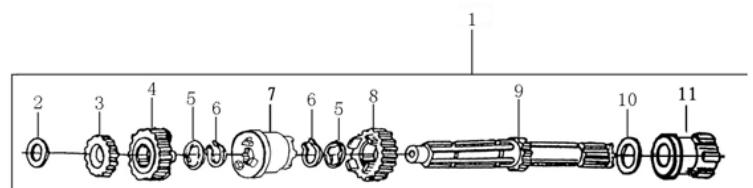
3	24303-I006-0000	SPRING, GEARSHIFT LEVER	SPRING, GEARSHIFT LEVER	51
4	24319-I008-0000	LEVEL, GEARSHIFT	LEVEL, GEARSHIFT	68
5	24301-LA73-0000	GEARSHIFT SHAFT	GEARSHIFT SHAFT	154
6	24302-I008-0000	RETURN SPRING, GEARSHIFT LE	vratná pružina, páka	82
7	93301-51400520000	WASHER 14×0.5×20	WASHER 14×0.5×20	15
8	B008940114000000	CIRCLIP 14	CIRCLIP 14	68
9	24400-I008-0016	PEDAL, GEARSHIFT (BT-16)	řadící pedál (BT-16)	260
10	24107-I006-0000	SHAFT, FORK	vidlička	153
11	24104-I006-0000	RIGHT FORK, COUNTERSHAFT	pravá vidlička	235
12	24106-I006-0000	CENTER FORK, MAINSHAFT	střední vidlička	235
13	24105-MZ01-0000	LEFT FORK, COUNTERSHAFT	levá vidlička	235
14	B05783000600257	ŠROUB M6×25	ŠROUB M6×25	3,2
15	B00093000600000	WASHER 6	podložka 6	16

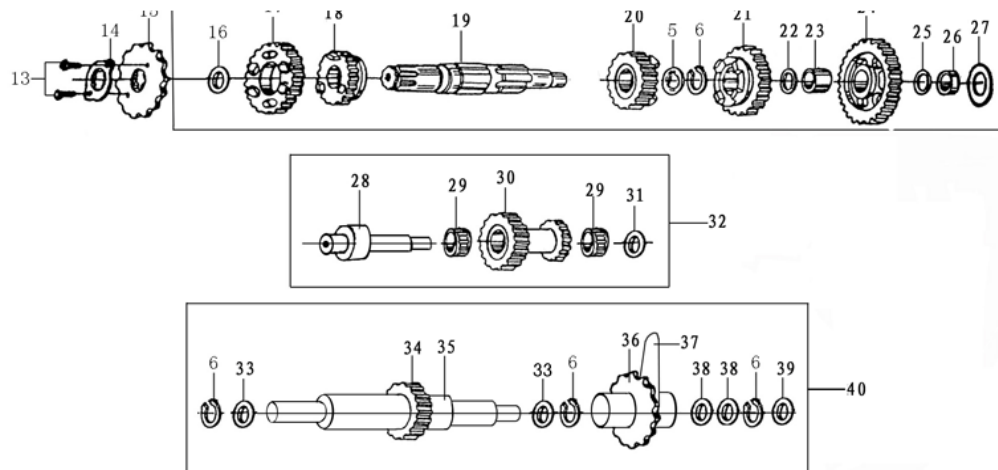
### řadící mechanismus



NO	PARTS ORDER		Description	CENA S DPH
16	24202-I008-0600	STOPPING PLATE	STOPPING PLATE	82
17	B001190104010000	PIN 4×10	PIN 4×10	6
18	24213-MZ01-0000	GEARSHIFT DRUM	GEARSHIFT DRUM	120
19	88004-JZ02-0000	CONTACT , CEARINDICATION	CONTACT , CEARINDICATION	36
20	88031-JZ02-0000	CABLE ASSEMBLY, GEAR INDIC	CABLE ASSEMBLY, GEAR INDICATION	170
21	9115B-JZ02-0000	ŠROUB M5×20	ŠROUB M5×20	17
22	91115-I008-00000B	ŠROUB M6×20	ŠROUB M6×20	17
23	2434A-I008-0100	LOCATING PLATE UNIT	LOCATING PLATE UNIT	36
24	24304-I006-0000	RETURN SPRING, LOCATING PL	RETURN SPRING, LOCATING PLATE	36

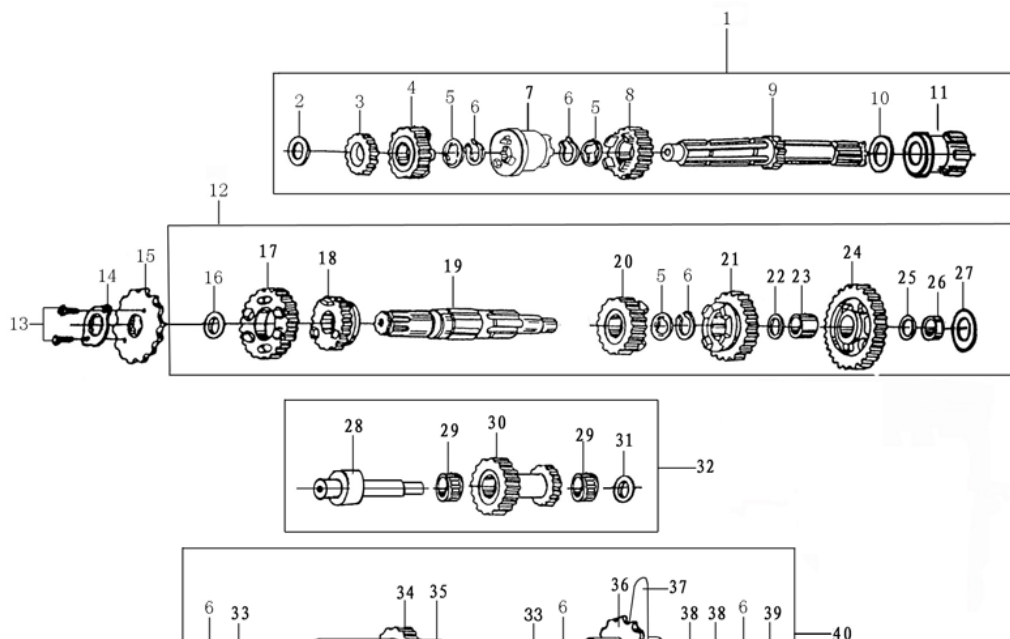
### E-11传动机构 TRANSMISSION MECHANISM





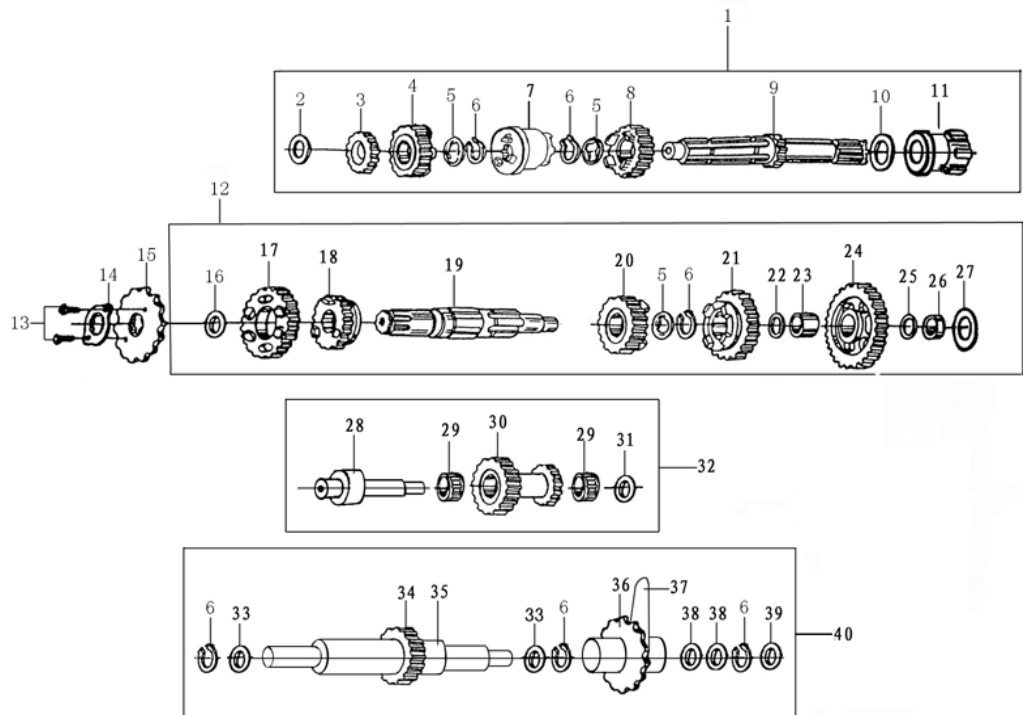
NO.	PARTS NO.		POPIS	CENA S DPH
1	23220-MZ01-0000	MAIN SHAFT ASSY	hlavní převodový stromeček	1360
2	93301-E1521002500	THRUST WASHER 15.2×1×25	THRUST WASHER 15.2×1×25	17
3	23222-LA73-0002	MAINSHAFT 2ND SPEED GEAR	MAINSHAFT 2ND SPEED GEAR	170
4	23222-MZ01-0000	MAINSHAFT 4ND SPEED GEAR	MAINSHAFT 4ND SPEED GEAR	326
5	23223-I006-0000	SPACER WASHER17.3(20)×1.6×26	SPACER WASHER17.3(20)×1.6×26	17
6	91402-D002-0100	CIRCLIP 18.5×1.2×φ22.1	CIRCLIP 18.5×1.2×φ22.1	17
7	23229-MZ01-0000	REVERSE GEAR,COUNTERSHAFT	REVERSE GEAR,COUNTERSHAFT	68
8	23222-LA73-0003	MAINSHAFT 3TH SPEED GEAR	MAINSHAFT 3TH SPEED GEAR	170
9	23221-LA73-0000	PIVOT, MAINSHAFT	PIVOT, MAINSHAFT	152
10	93301-62020527000	THRUST WASHER 20×0.5×27	THRUST WASHER 20×0.5×27	17
11	23231-JZ02-0000	ASSEMBLY, STARTING GEAR	ASSEMBLY, STARTING GEAR	170
12	23240-MZ01-0000	ASSEMBLY, COUNTERSHAFT	ASSEMBLY, COUNTERSHAFT	999
13	B057830006001070	ŠROUB M6×10	ŠROUB M6×10	3,2
14	23402-I006-0000	FIXING PLATE, DRIVE SPROCKET	FIXING PLATE, DRIVE SPROCKET	8,2
15	23401-I008-0008	DRIVE SPROCKET	DRIVE SPROCKET	68

### PŘEVODOVKA



NO.	PARTS NO.		POPIS	CENA S DPH
16	93301-61521030000	THRUST WASHER 20×1×27	THRUST WASHER 20×1×27	17
17	23242-LA73-0002	COUNTERSHAFT 2ND SPEED GE	COUNTERSHAFT 2ND SPEED GEAR	170
18	23242-MZ01-0004	4ND SPEED GEAR	4ND SPEED GEAR	170
19	23241-MZ01-0000	PIVOT, COUNTERSHAFT	PIVOT, COUNTERSHAFT	326
20	23243-MZ01-0000	REVERSE GEAR,COUNTERSHAFT	REVERSE GEAR,COUNTERSHAFT	170
21	23242-MZ01-0003	COUNTERSHAFT 3RD SPEED GE	COUNTERSHAFT 3RD SPEED GEAR	170
22	93301-E1650524000	THRUST WASHER 15×1×30	THRUST WASHER 15×1×30	17
23	23203-I006-0001	COUNTERSHAFT 4TH SPEED GE	COUNTERSHAFT 4TH SPEED GEAR	36
24	23242-LA73-0001	SPACER WASHER	SPACER WASHER	170
25	93301-61650524000	BUSH,COUNTERSHAFT 1ST SPEE	BUSH,COUNTERSHAFT 1ST SPEED GEAR	17
26	23247-JZ02-0000	COUNTERSHAFT 1ST SPEED GE	COUNTERSHAFT 1ST SPEED GEAR	82
27	93301-61521030000	BUSH, STARTING GEAR, COUNT	BUSH, STARTING GEAR, COUNTERSHAFT	17
28	23608-JZ02-0000	SHAFT,REDUCTION GEAR	SHAFT,REDUCTION GEAR	36
29	92102-000HK12181	NEEDLE BEARING	NEEDLE BEARING	82
30	23607-MZ01-0000	GEAR,REOULTION	GEAR,REOULTION	340

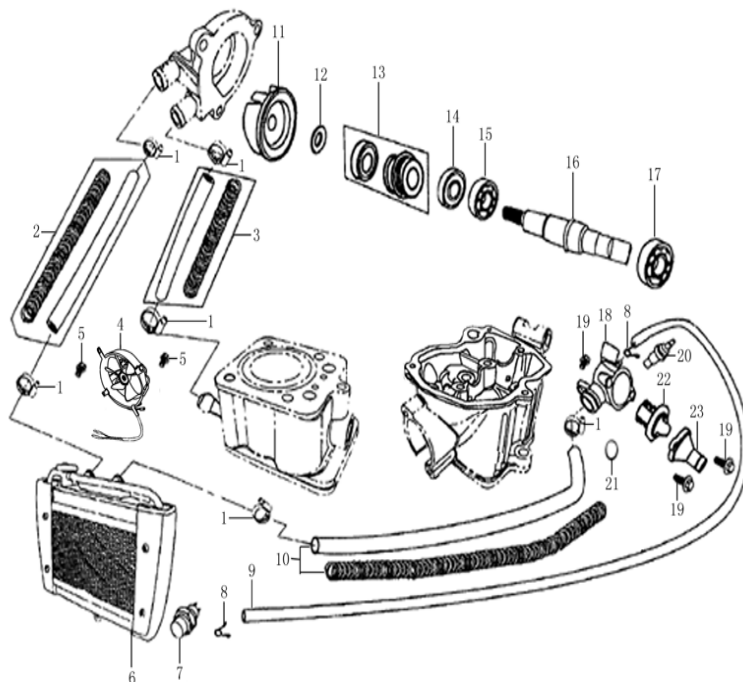
### PŘEVODOVKA



NO.	PARTS NO.		POPIS	CENA S DPH
31	93301-61201018000	SHAFT,REDUCTION O-PING	SHAFT,REDUCTION O-PING	17
32	2360B-MZ01-0000	GEAR,REOULTION ASSEMBLY	GEAR,REOULTION ASSEMBLY	257
33	23223-I008-0000	THRUST WASHER	THRUST WASHER	17
34	23604-MZ01-0000	IDLE GEAR CONP	IDLE GEAR CONP	340
35	23602-JZ02-0000	IDLE GEAR CONP STARTEAR	IDLE GEAR CONP STARTEAR	80
36	23236-MZ01-0000	COUNTERSHAFT 1ST SPEED	COUNTERSHAFT 1ST SPEED	170
37	23245-JZ02-0000	LOCK UP PLY	LOCK UP PLY	36

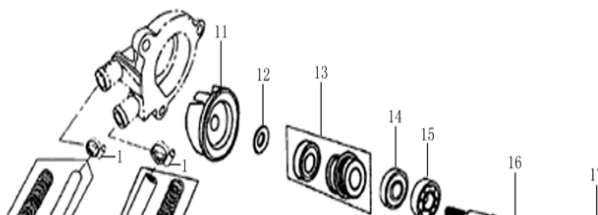
39	93301-61201018000	WASHER	WASHER	17
40	23601-MZ01-0000	ASSEMBLY IDLE GEAR CONP	ASSEMBLY IDLE GEAR CONP	170

### VODNÍ CHALDÍČÍ SYSTÉM

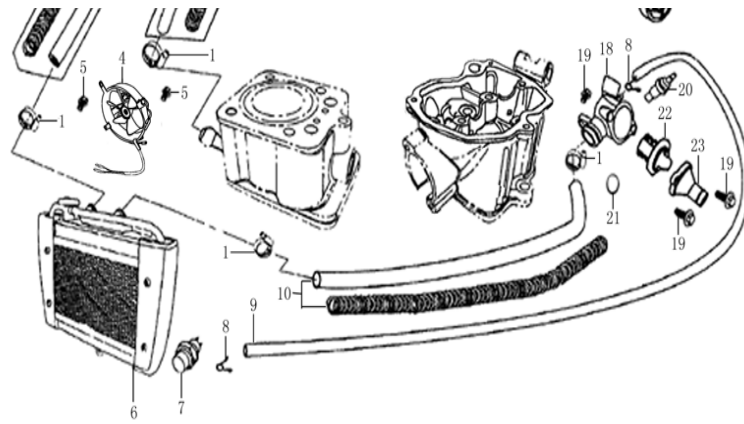


NO.	PARTS NO.		POPIS	CENA S DPH
1	19520-IA20-0000	WATER PIPE COLLAR CLAMP AS	WATER PIPE COLLAR CLAMP ASSY	76
2	19225-IA20-0006	TUBE (13×20×420)	TUBE (13×20×420)	89
3	19225-IA20-0002	TUBE (13×20×185)	TUBE (13×20×185)	89
4	1910B-LA51-0000	COOLING FAN ASSY	Větrák	980
5	B166740A0600207	ŠROUB M6×20	ŠROUB M6×20	3
6	19200-IA20-0000	WATER COOLER	CHLADIČ	1690
7	1925A-IA20-0000	SWITCH THERMISTOR	čidlo teploty vody	430
8	91404-IA20-0000	CLIP , WATER PIPE	CLIP , WATER PIPE	82
9	19207-IA20-0002	SMALL CIRCULATING FEEDING	SMALL CIRCULATING FEEDING PIPE	36
10	19225-IA20-0008	TUBE (13×20×590)	TUBE (13×20×590)	80
11	19002-IA20-0000	VANE WHEEL WATER PUMP	VANE WHEEL WATER PUMP	260
12	19003-IA20-0000	GASKET, VANE WHEEL WATER	GASKET, VANE WHEEL WATER PUMP	17
13	1901B-IA20-0000	MECHANISM SEAL ASSY	těsnění vodní pumpy	299
14	90326-I024-0000	OIL SEAL 20×12×5	OIL SEAL 20×12×5	82
15	92102-00000006901	BEARING (6901)	Ložisko (6901)	220

### VODNÍ CHALDÍČÍ SYSTÉM

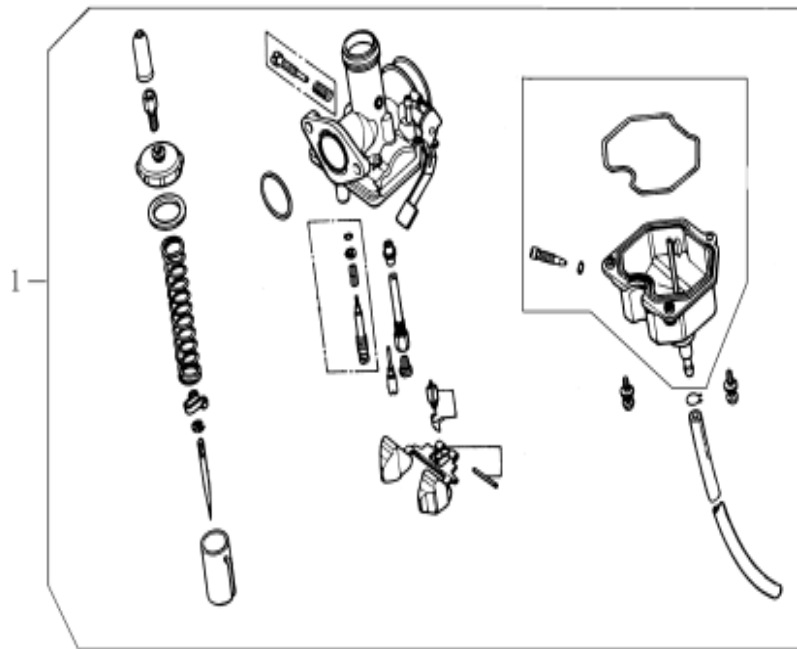






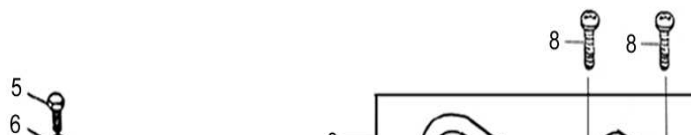
NO.	PARTS NO.		POPIS	CENA S DPH
16	19004-IA20-0000	SHAFT , WATER PUMP	SHAFT , WATER PUMP	49
17	92102-00000006000	BEARING (6000)	ložisko (6000)	236
18	1921B-IA20-0000	CASE , THERMOSTAT	pouzdro termostat	340
19	B166740A0600167	ŠROUB M6×16	ŠROUB M6×16	3
20	19206-I024-0000	SENER, WATER COOLER	čidlo teploty	320
21	90101-30148000190	O-RING 14.8×1.9	O-RING 14.8×1.9	17
22	1924B-I024-0000	THERMOSTAT ASSY, COOLING	TERMOSTAT	490
23	19220-IA20-0000	THERMOSTAT COVER	kryt termostatu	49

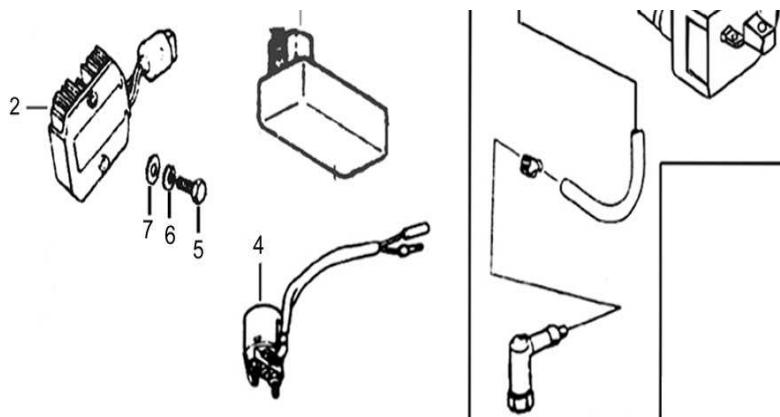
### Karburátor



NO.	PARTS NO.		POPIS	CENA S DPH
1	17100-MA97-0000	Carburetor Assy	Karburátor	1160

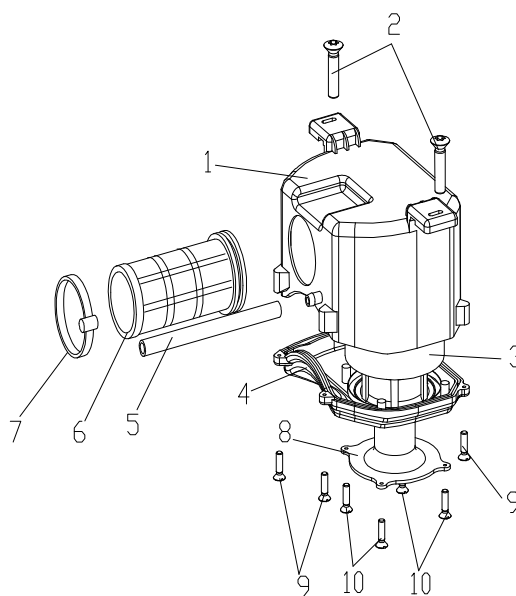
### Electrické prvky





NO.	PARTS NO.		POPIS	CENA S DPH
1	31600/161MJ	Voltage Regulator	Regulator Napětí, usměrňovač proudu	690
2	34400/163ML-2	Ignition Controller	CDI	690
3	34500/161MJ	Ignition Coil	Indukční cívka	580
4	34600/161MJ	Start Relay	Startovací relé	240
5	GB/T5783-2000	Bolt M6×20	ŠROUB M6×20	2
6	GB/T93-1987	Spring Washer 6	podložka 6	1
7	GB/T97.2-1985	Washer 6	podložka 6	1
8	GB/T818-2000	Bolt M6×25	šroub M6×25	2

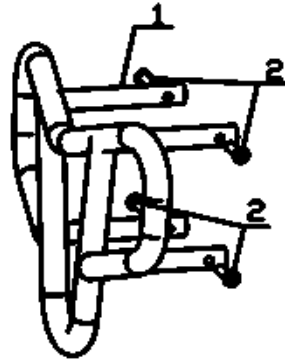
### E-15空濾器(AIR FILTRATE IMPLEMENT)



NO.	PARTS NO.		POPIS	CENA S DPH
1	32100-329-000000		BOX vzduchového filru	599
2	GB5787		ŠROUB	1
3	32100-329-000001		filter -houba	190
4	32100-329-000002		horní víko	115
5	32100-329-000003		výplň	50
6	32100-329-000004		spojivací hadice	146
7	32100-329-000005		matice, pružina	5
8	32100-329-000006		vpust' vzduchu	5

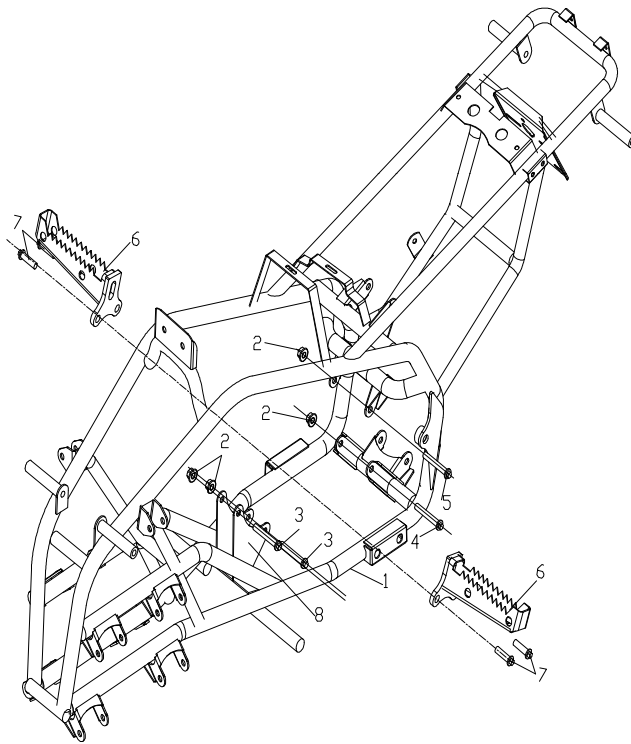
10	GB5787		ŠROUB	1
----	--------	--	-------	---

E-16前保险杠 FRONT GUARD



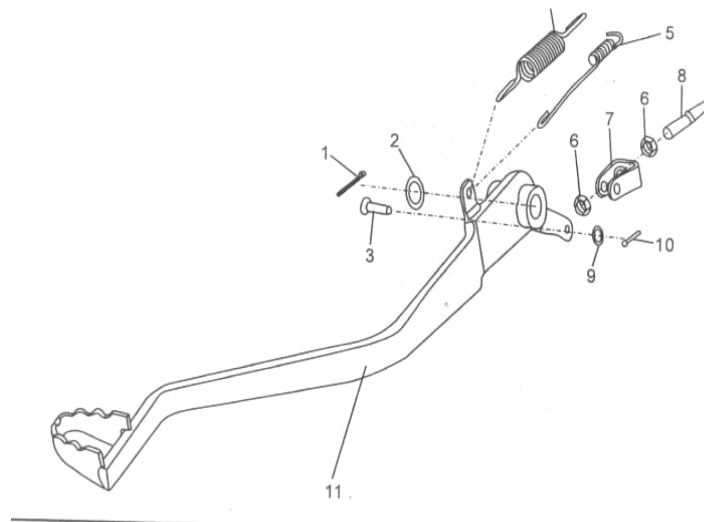
NO.	PARTS NO.		Description	CENA S DPH
1	66110-329-000000		přední nárazník	1399
2	GB5787		ŠROUB m8	2

E-17车架 FRAME



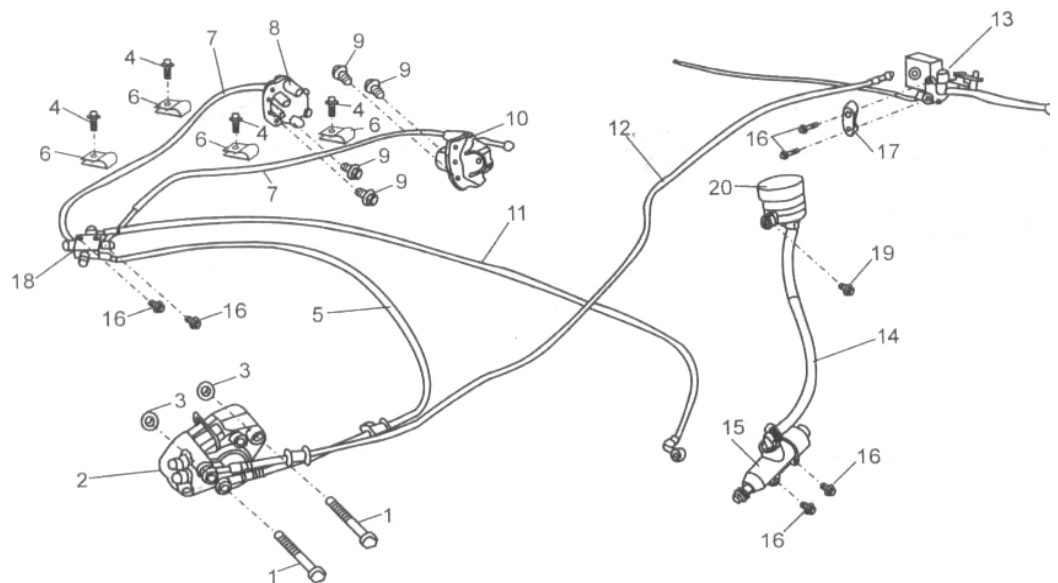
NO.	PARTS NO.		POPIS	CENA S DPH
1	31000-329-000071		main Frame	8000
2	GB6787		ŠROUB M10	2
3	GB5783		Bolt M10	50
4	GB5783		ŠROUB M10	50
5	GB5783		ŠROUB M10	50
6	67220-329-000071		Foot rest(L&R)	400
7	GB5783		ŠROUB M14	10
8	31400-329-000071		front sponder for engine	300

nožní brzdy páka



NO.	PARTS NO.	POPIS	CENA S DPH
1	GB91	závlačka 3×32	1
2	GB96	Plate washer 16	1
3	53563-329-000000	Roller	2
4	41121-329-00000B	Return sping, rear brake	20
5	54213-329-00000B	Switch sping, rear brake	1
6	GB6170	Nut M8	2
7	53561-329-000000	U-fork	2
8	53562-329-000000	Pull rod, brake	2
9	GB97	Plate washer 6	1
10	GB91	Pin. Cotter 1.2×15	1
11	32110-329-000000	nožní brzdová páka	400

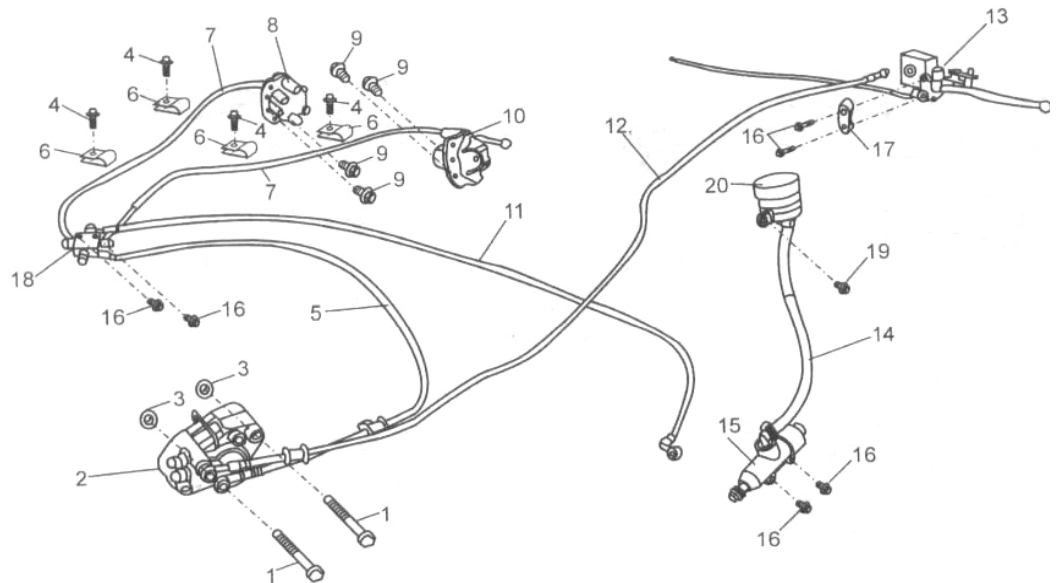
### BRZDOVÝ SYSTÉM



NO.	PARTS NO.	Description	CENA S DPH
1	93717-329-000000	ŠROUB M10	2
2	53530-329-000000	Zadní brzdič	1400
3	GB6787	Matice M10	1

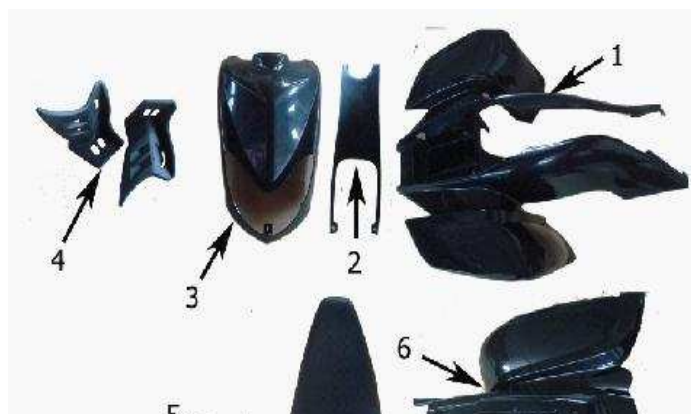
5	53511-329-000000			
6	55130-329-00000B			
7	53512-329-000000			
8	53510-329-000000		Přední brzdič levý	1200
9	GB5787		ŠROUB M8	2
10	53520-329-000000		Přední brzdič Pravý	1200
11	53513-329-000000			
12	53514-329-000000			
13	54410-329-000000		Brzdová páčka komplet	299
14	53515-329-000000		Tube V	
15	53560-329-000000		Brzdový válec	890

### Hydraulický brzdový systém



NO.	PARTS NO.	Description	CENA S DPH
16	GB5787	ŠROUB M6	2
17	54511-329-000000	Clip	1
18	53540-329-000000	Dividing fule box	350
19	GB5787	ŠROUB M6	2
20	53550-329-000000	Nádobka na brzdovou kapalinu	120

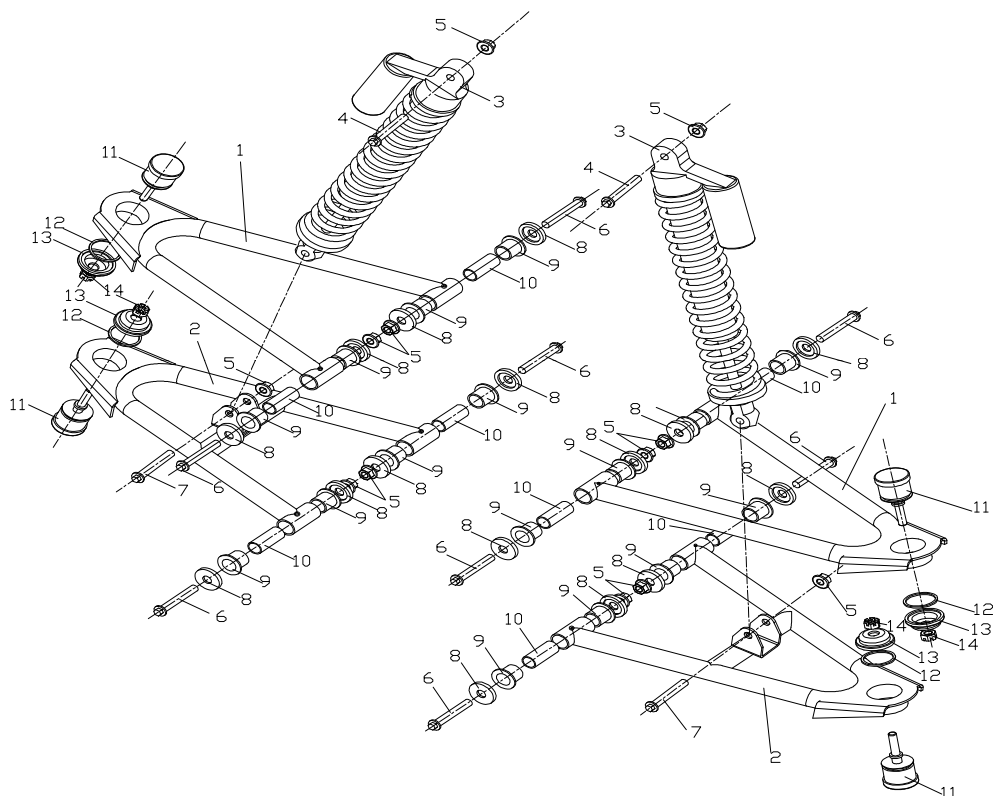
### PLASTY





NO	PARTS NO.		POPIS	CENA S DPH
1	53110-274-0000	front fender	přední blatník	1999
2	16711-274-0000	plastic protector for tank	plastový kryt nádrže	299
3	43241-274-0000	front mask	přední maska	499
4	41831-274-0000	L&R fender	Levý + pravý kryt plastový	499
5	41100-329-000000	seat	SEDADLO	890
6	63100-274-0000	rear fender	Zadní plasty komplet	1199

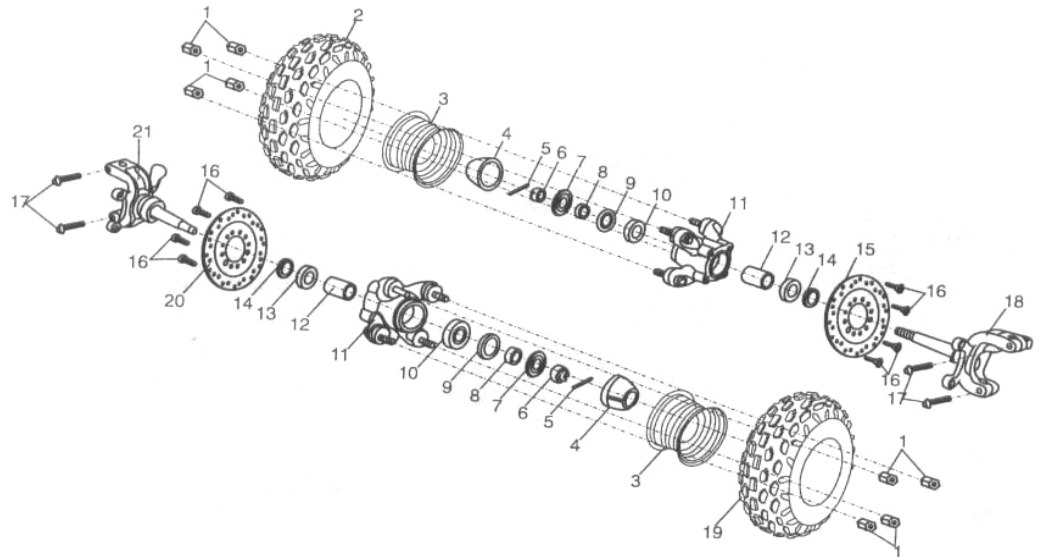
### PŘEDNÍ ZAVĚŠENÍ



NO	PARTS NO.		POPIS	CENA S DPH
1	36311-329-000071	Upper-swing arm	Horná Rameno	699
2	36320-329-000071	Lower-swing arm	Dlní rameno	699
3	33200-329-000000	Front shock absorber	Přední tlumič	1900
4	GB5787	Bolt M10	ŠROUB M10	2
5	GB5787	Nut M10	ŠROUB M10	1
6	93716-329-000000	Bolt M10	ŠROUB M10	2
7	GB5787	Bolt M10	Bolt M10	2
8	36316-329-000000	Oit seat	Oit seat	1
9	36236-329-000000	Collar	Collar	2
10	34221-329-000000	Spacer	Spacer	2
11	36312-329-000000	Ball	čep ramene	249
12	36313-329-000000	Clamp	Clamp	1

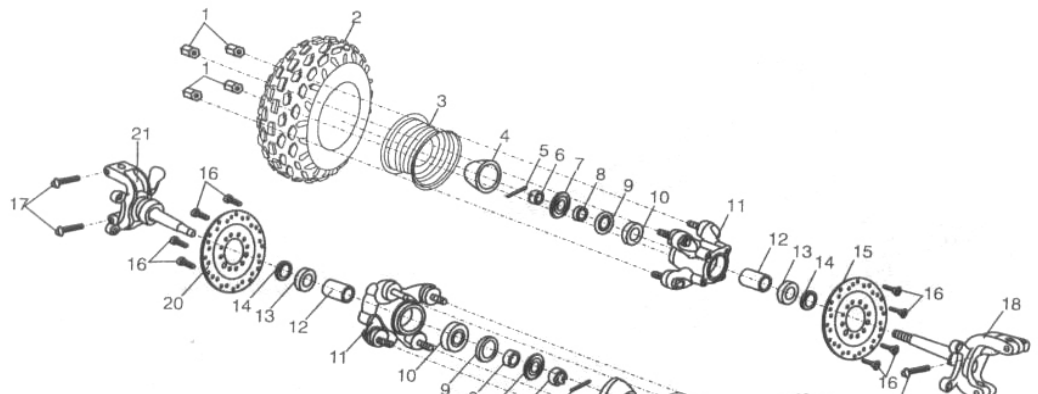
14	GB6178	Nut M12	MATICE 12	2
----	--------	---------	-----------	---

přední kola



NO.	PARTS NO.		POPIS	CENA S DPH
1	GB6177	Nut M10	Nut M10	58
2	51111-MA08-	Front wheel(R)	přední pneu	1390
3	51121-MA08-	Front rim(R)	přední disk	1490
4	94000-329-000000	dustproof cover for rim	dustproof cover for rim	40
5	GB91	Pin.cotter	Pin.cotter	1
6	GB6178	Nut M12	Nut M12	2
7	58311-329-000000	Washer	Washer	2
8	36236-329-000000	Collar	Collar	2
9	36235-329-000000	Oilseal	Oilseal	1
10	36234-329-000000	Collar	Collar	300
11	36230-329-000000	Connecting,front wheel(2pcs)	unašeč kola, 1 ks levý nebo pravý	999
12	36231-329-000000	Collar	Collar	2
13	36232-329-000000	Bearing	ložisko kola, předního	360
14	36233-329-000000	Oil seal	gufero	29
15	53820-329-000063	Disk.front brake(R)	Disk.front brake(R)	390

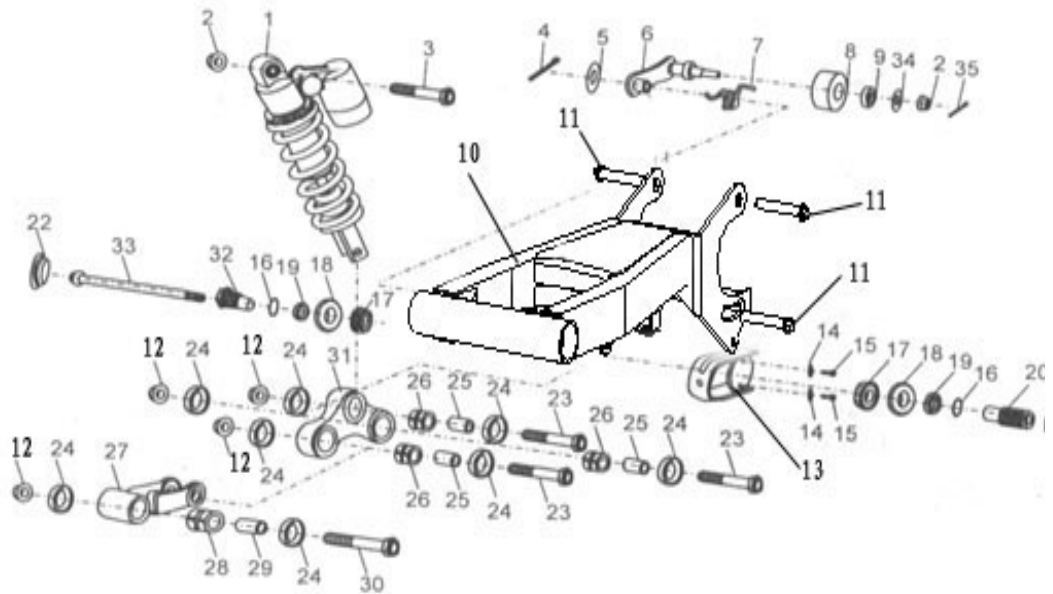
E-24前轮系统 FRONT WHEEL SYSTEM





NO	PARTS NO.		POPIS	CENA S DPH
16	GB/T 2672	Step bolt M8	Step bolt M8	2
17	93719-329-000000	Bolt M8	Bolt M8	2
18	35200-329-00000K	Knuckle (R)	Knuckle (R)	700
19	51112-MA08-00000	Front wheel(L)	Front wheel(L)	2250
20	53810-329-000063	Disk,front brake(L)	Disk,front brake(L)	350
21	35100-329-00000K	Knuckle(L)	Knuckle(L)	700

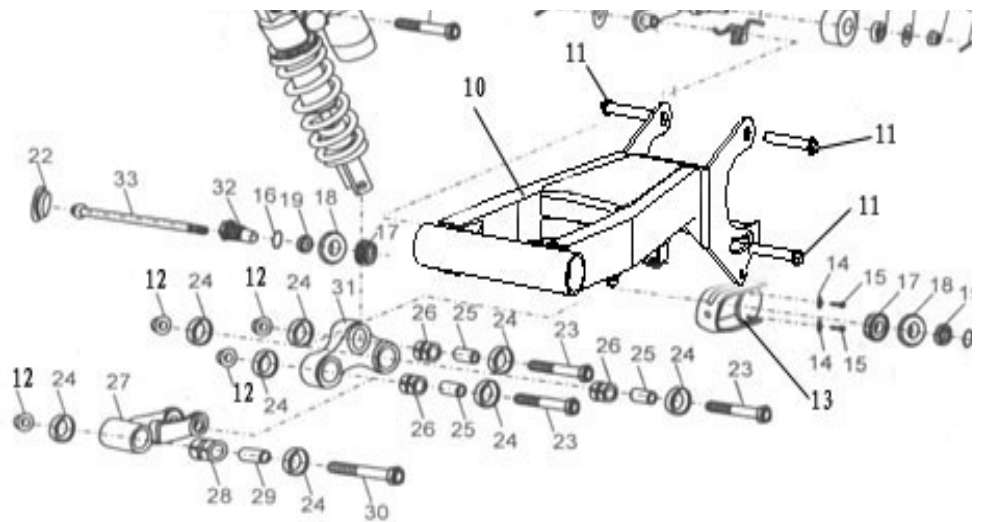
### ZADNÍ OSA



NO	PARTS NO.		POPIS	CENA S DPH
1	33300-329-000000	Rear shock absorber	Zadní tlumič	1900
2	GB6787	Nut M10	Matice M10	1
3	GB5787	Bolt M10	Bolt M10	2
4	GB91	Pin.cotter	Pin.cotter	1
5	GB97	Plate washer	Plate washer	1
6	321B0-329-000000	Tensioner supporter	Napínák řetězu s pružinou komplet	590
7	54214-329-000000	Return spring,tensioner		
8	94219-329-000000	Tensioner		
9	GB/T276	Bearing 6001	Ložisko 6001	220
10	58101-329-000071	rear swing arm	zadní kyvka	1400
11	93717-329-000000	Bolt M10	ŠROUB M10	2
12	GB6177	Nut12	MATICE 12	1
13	91211-329-000000	Clip,chain	Clip,chain	300
14	GB97	Plate washer5	Plate washer5	1
15	GB818	Screw M5	ŠROUB M5	1

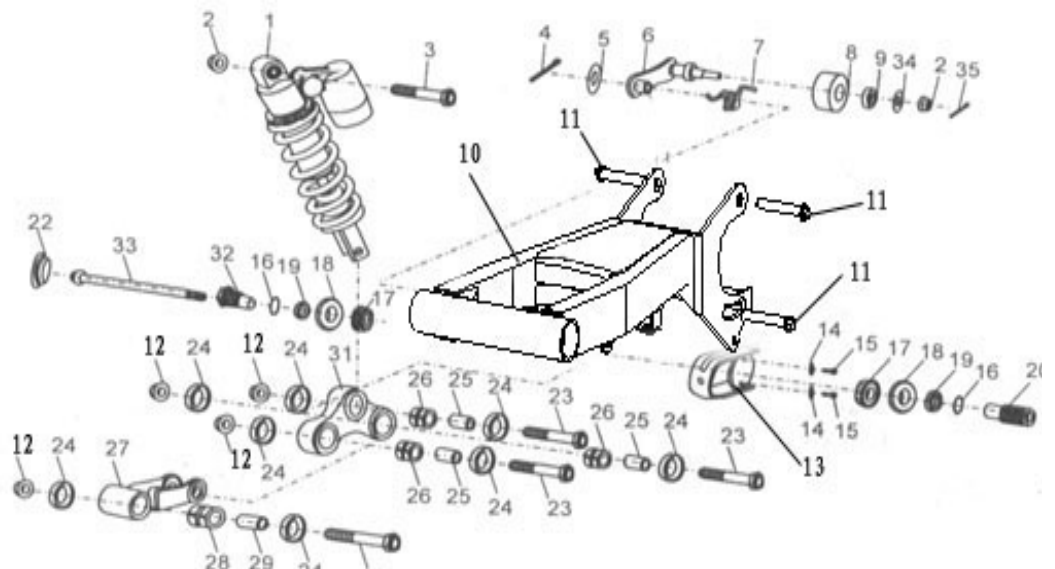
### ZADNÍ OSA





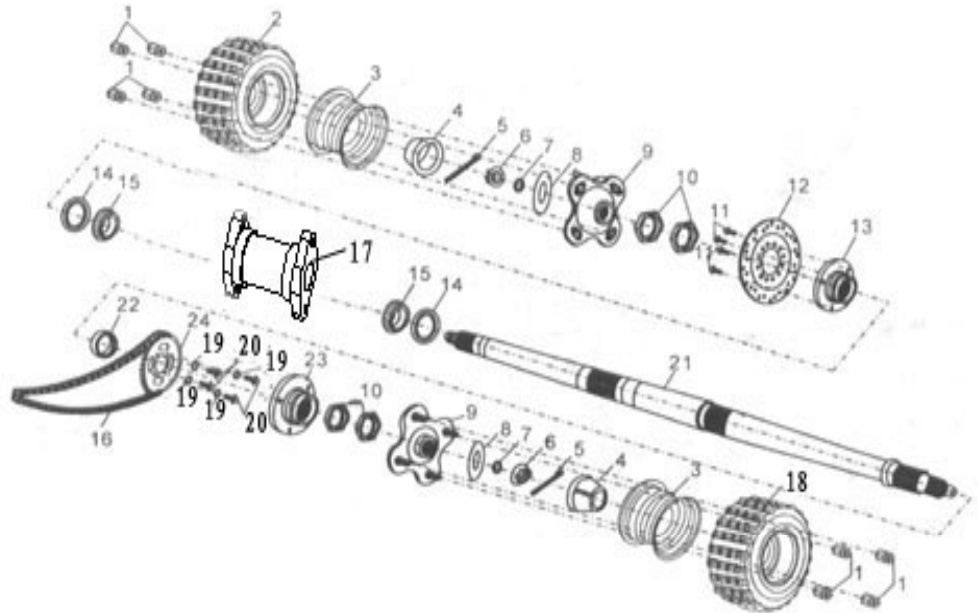
NO.	PARTS NO.		POPIS	CENA S DPH
16	93213-329-000000	O-Oil seal	O-Oil seal	1
17	GB/T297	Taper roller bearing	Taper roller bearing	200
18	GB13872	Oil seal 22-44-7	Oil seal 22-44-7	1
19	93811-329-00000C	Collar	Collar	2
20	93211-329-00000C	Nut	Matice	2
21	93211-329-00000C	Bolt,connecting axle(L)	Bolt,connecting axle(L)	2
22	94213-329-00000C	Cover,axle	Cover,axle	2
23	GB5783	Bolt M12	Bolt M12	2
24	94112-329-000000	Bustproof cover	Bustproof cover	2
25	34221-329-000000	Coller	Coller	2
26	GB/T5801	Bearing,needle NA6901	Bearing,needle NA6901	200
27	34111-329-000063	Connecting rod,rear shock absorber	Connecting rod,rear shock absorber	400
28	GB/T5801	Bearing,needle NA4901	Bearing,needle NA4901	200
29	34112-329-000063	Collar	Collar	2
30	GB5783	Bolt M12	Bolt M12	4

### ZADNÍ OSA



NO.	PARTS NO.		POPIS	CENA S DPH
31	34211-329-000063	Front swing,rear shock absorber	Front swing,rear shock absorber	500
32	93212-329-00000C	Bolt,connecting axle(R)	Bolt,connecting axle(R)	2
33	93715-329-000000	Axle,wheel	Axle,wheel	200
34	GB97	Plate washer 10	Plate washer 10	1
35	GB91	Pin,collar	Pin,collar	1

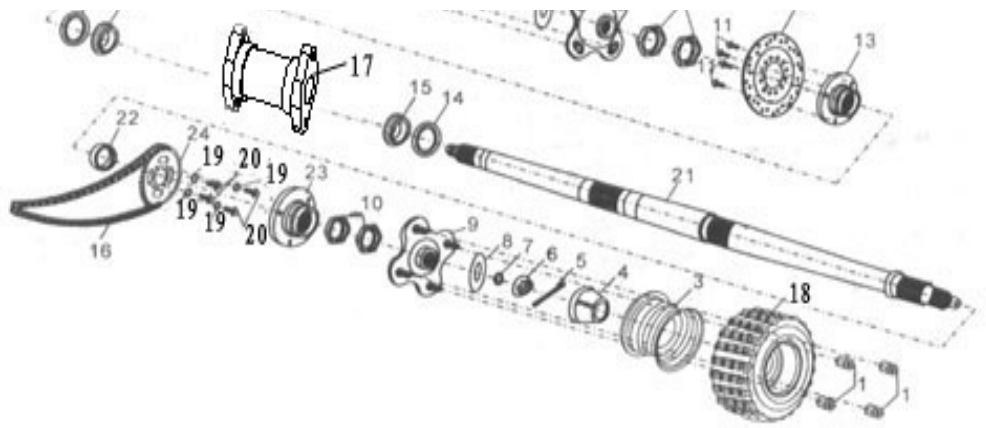
### ZADNÍ OSA



NO.	PARTS NO.	配件名称	Description	CENA S DPH
1	GB6177	Nut M10	Nut M10	58
2	51211-MA08-	Rear wheel	Rear wheel	2950
3	51220-MA08-	Rear rim	Rear rim	2900
4	94000-329-000000	Cover,wheel axle	Cover,wheel axle	20
5	GB91	Pin.cotter	Pin.cotter	1
6	GB6178	Nut M16	Nut M16	50
7	GB93	Elaetic washer	Elaetic washer	1
8	58311-329-000000	Washer	Washer	1
9	58320-329-000071	Crossed cinnecting pan	Crossed cinnecting pan	400
10	GB6172	Nut M36	Nut M36	50
11	GB/T2672	Step bolt M8	Step bolt M8	2
12	53831-329-000063	Disk.rear brake	Disk.rear brake	790
13	58361-329-000071	Cover,spline of rear brake	Cover,spline of rear brake	350
14	GB13871	Oil seal	gufero	36
15	GB/T297	Taper roller bearing	Taper roller bearing	400

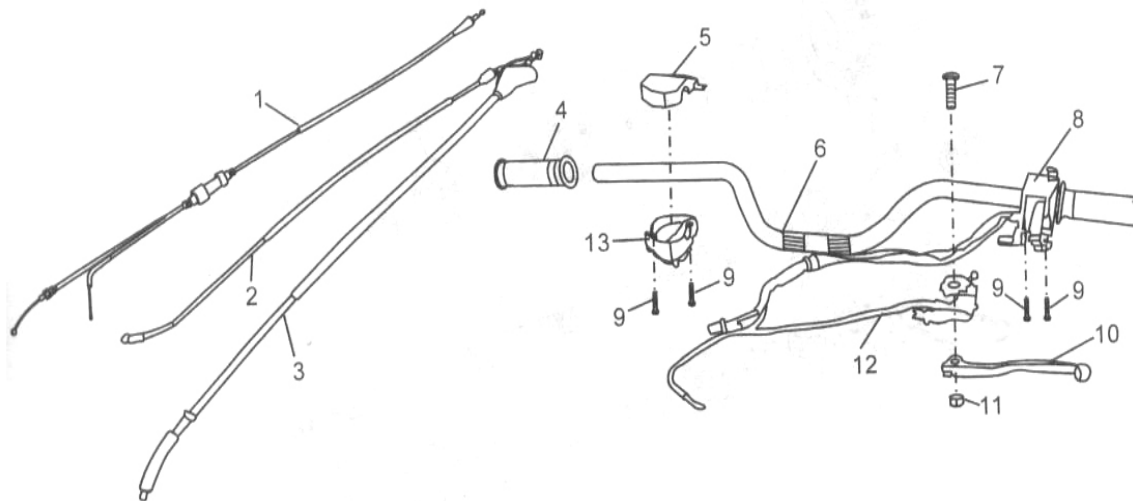
### ZADNÍ OSA





NO.	PARTS NO.		POPIS	CENA S DPH
16	26400-329-000000	Chain	řetěz	349
17	58211-329-00000K	Spacer(included bearing)	Zadní nába včetně ložisek	1400
18	51212-MA08-000000	Rear wheel(L)	Zadní ALU DISK	1490
19	GB93	Elastic washer 10	ELASTIOCKÁ PODLOŽKA 10	1
20	93721-329-000000	Bolt M10	ŠROUB M10	2
21	58371-329-000000	Axle,rear wheel	Zadní osa	2200
22	58331-329-000071	Spacer	Spacer	2
23	58341-329-000071	Cover,spline of rear sprocker	Unašeč zadní rozety	480
24	55110-329-00000B	Rear sprocket	zadní rozeta	790

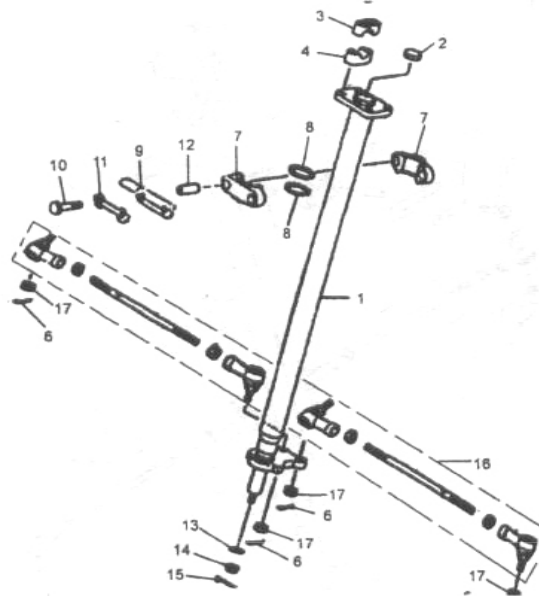
### E-27手把管系统 HANDLEBAR SYSTEM



NO.	PARTS NO.		POPIS	CENA S DPH
1	72400-329-000000	Throttle cable	Plynové lanko	149
2	72600-329-000000	Choke cable	lanko sytiče	149
3	72700-329-000000	Clutch cable	lanko spojky	149
4	94222-329-000000	Grip	rukojet	20
5	72311-MA08-	throttle(included 13)	plyn, vč. 13	540
6	72111-MA08-	Handlebar	řídítka	350
7	72200-MA08-	Bolt	šroub	1
8	72200-MA08-	Bolt	šroub	1

9	GB818	Srew M5	šroub M5	1
10	72620-MA08-	Clutch lever	páčka brzdy	149
11	GB6177	Nut M6	Matice M6	1
12	72621-MA08-	Holder, chutch lever	Holder, chutch lever	100
13	72312-MA08-	throttle	plyn	
14	GB818	Screw M5	ŠROUB M5	1

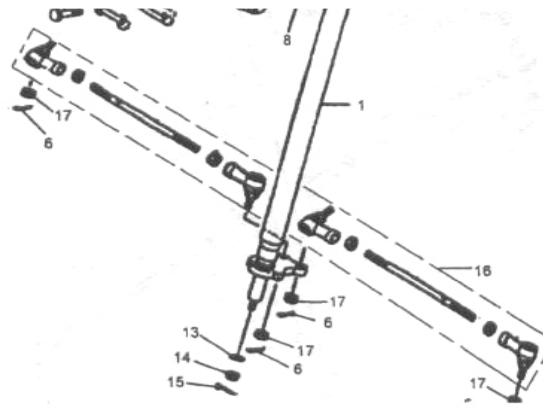
### řízení



NO.	PARTS NO.		POPIS	CENA S DPH
1	71110-329-000071	Steering upright column weld	tyč řízení	960
2	71111-329-000000	Dust-proof cover	prachovka	8
3	71112-329-000000	upper holder of handlebar	horní + spodní držák řídítek	350
4	71113-329-000000	lower holder of handlebar	horní + spodní držák řídítek	350
5	GB5787	Bolt M8	šroub M8	2
6	GB91	Cotter pin	závlačka	1
7	71114-329-000000	Grip slipper of steering column	Grip slipper of steering column	100
8	71115-329-000000	Sealibg right	Sealibg right	1
9	71116-329-000000	Wire clip unit	Wire clip unit	50
10	GB5783	Bolt M8	Bolt M8	2
11	71117-329-000000	Locking shim	Locking shim	1
12	71118-329-000000	Bushing	Bushing	1
13	GB96	Washer 10	podložka 10	1
14	GB6787	Nut M10	matie M10	2
15	GB91	Cotter pin	Cotter pin	0,5

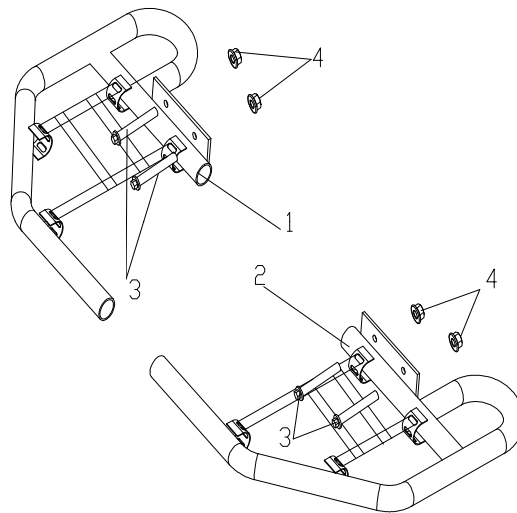
### TYČ řízení





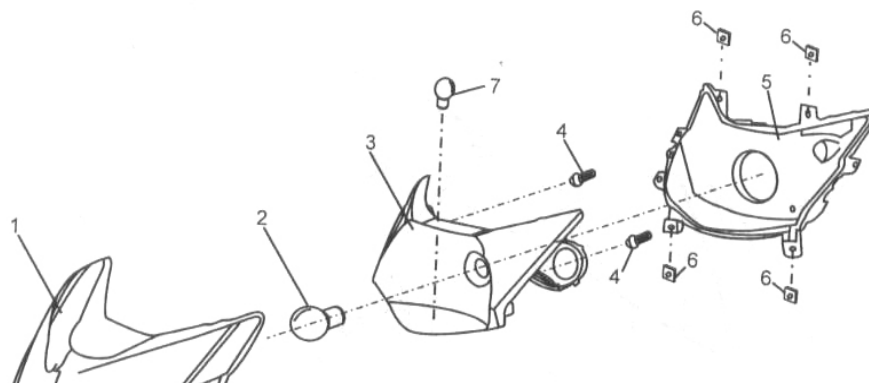
NO.	PARTS NO.		POPIS	CENA S DPH
16	35300-329-000000	Steering tension rod assy	řízení, tyčka, pravá strana, včetně čepů	698
17	GB6787	Nut M10	Matice M10	2

### Nášlapy



NO.	PARTS NO.		POPIS	CENA S DPH
1	41820-274-0000	R-FOOTREST	pravý nášlap včetně výpletu	1100
2	41830-274-0000	L-FOOTREST	levý nášlap včetně výpletu	1100
3	GB5787	BOLT M8	ŠROUB M8	2
4	GB6787	NUT M8	MATICE M8	1

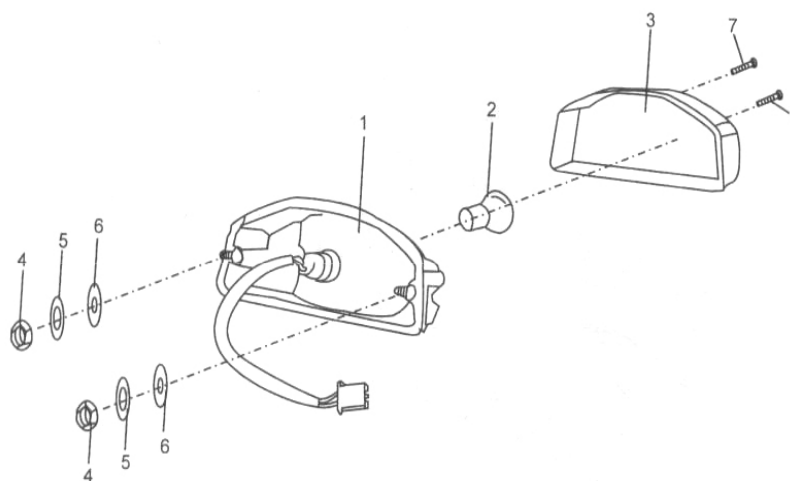
### PŘEDNÍ SVĚTLO





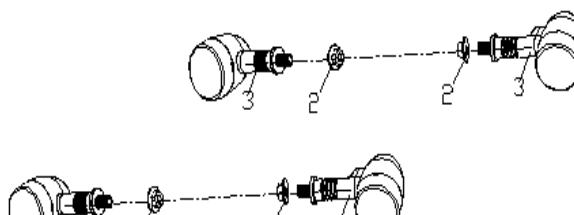
NO.	PARTS NO.		POPIS	CENA S DPH
			<b>KOMPLET přední světlo</b>	939
1	86310-329-000000	Shade of headlight	plexisklo	939
2	86320-329-000000	Bulb of headlight	Žárovka přední světlo	
3	86330-329-000000	Condenser	kondesnor	
4	GB818	Screw M4	SROUB M4	
5	86340-329-000000	Holder of headlight	držák světla	
6	93274-329-000000	Cilp nut M6	klip matice M6	
7	86350-329-000000	Bulb front location	žárovka	

### zadní světlo



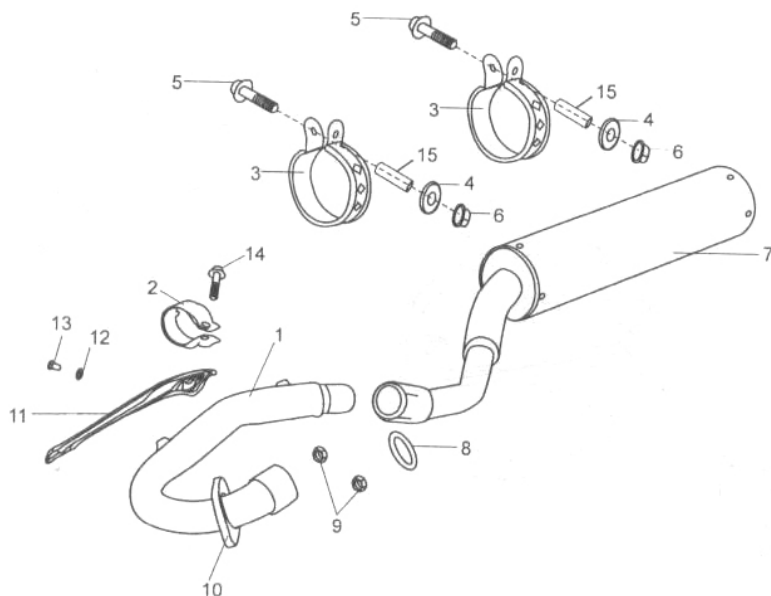
NO.	PARTS NO.		Description	CENA S DPH
			<b>Přední světlo komplet</b>	<b>499</b>
1	86510-329-000000	Holder,tail light	držák zadního světla	399
2	86520-329-000000	Bulb	žárovka	149
3	86530-329-000000	Shade,tail light	Shade,tail light	
4	GB6177	Nut M5	Nut M5	1
5	GB96	Plate washer 6	Plate washer 6	1
6	94224-329-000000	Cushion	Cushion	1
7	GB/T845	Screw M4	Screw M4	1

### Blinky



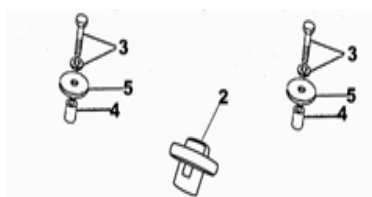
NO.	PARTS NO.		Description	CENA S DPH
1	86540-329-000000	Front truning light	přední blinkery	380
2	GB6787	Nut M8	MATICE M8	2
3	86540-329-000001	After truning light	zadní blinkery	380

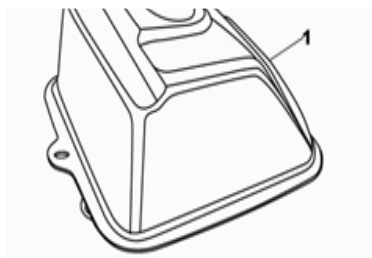
### Výfuk



NO.	PARTS NO.		POPIS	CENA S DPH
1	18111-329-000063	Pipe,muffler	kolínko výfuku	549
2	18130-329-000000	Connecting hoop	svorka	20
3	18150-329-000000	Hoop,muffler body	svorka 2	150
4	GB96	Plate washer	podložka	1
5	GB5787	Bolt M8	matice M8	2
6	GB6177	Nut M8	maticeM8	1
7	18120-329-00000G	Muffler body	zadní tlumič výfuku, tuning	1900
8	94222-329-000000	Gasket,outlet	těsnění	10
9	GB6170	Nut M8	Matice M8	1
10	18112-329-000000	Connecting board	spojnice	49
11	18140-329-000000	Protect	ochrana před spálením	149
12	GB97	Plate washer 6	Plate washer 6	1
13	GB818	Screw M6	šroub M6	1
14	GB5787	Bolt M8	MaticeM8	2

### Nádrž





NO.	PARTS NO.	Description	CENA S DPH
1	16600-274-0000	Nádrž na benzín, s víčkem	960
2	16640-274-0000	víčko nádrže	99
3	GB/T 16674-1996	šroub	1
4	16816-274-0000		1
5	16818-274-0000	podložka	1

### El. Zařízení

	DESCRIPTION	POPIS	CENA S DPH
	HORN	klakson	199
	electrical cable	elektrické kabely komplet	990
	battery	baterie	1160
	mirror(2PCS)	zrcátka	450
	speedometer	tachometr	1799
	sensor of speedometer	číslo rychlosti	490





	<b>skladem</b>	
	<b>skladem</b>	

	<b>STAV</b>	<b>pro objednání volejte : tel. 411 131 040, emial : info@super-ctyrkolky.cz</b>
	<b>skladem</b>	
	<b>skladem</b>	
	<b>skladem</b>	
	<b>skladem</b>	
	<b>skladem</b>	
	<b>skladem</b>	







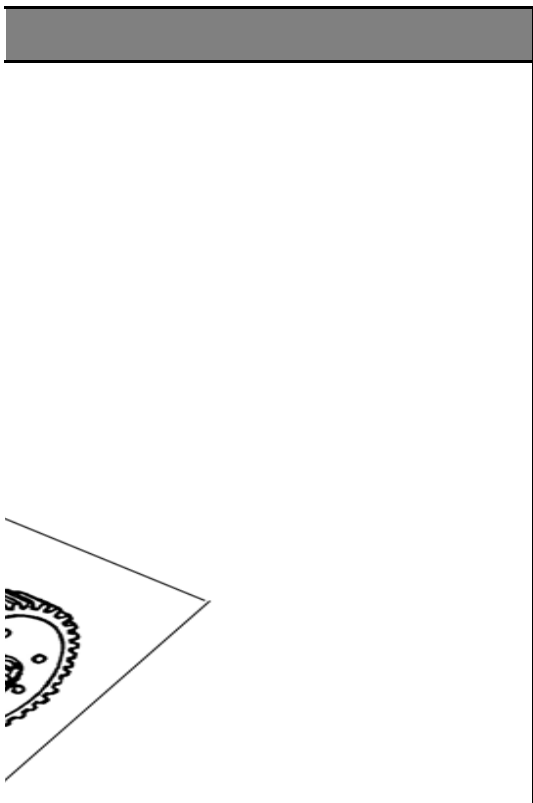












	STAV	
	skladem	
	skladem	
	skladem	
	skladem	
	skladem	
	skladem	
	skladem	
	skladem	
	skladem	
	skladem	
	skladem	
	skladem	
	skladem	
	skladem	
	skladem	

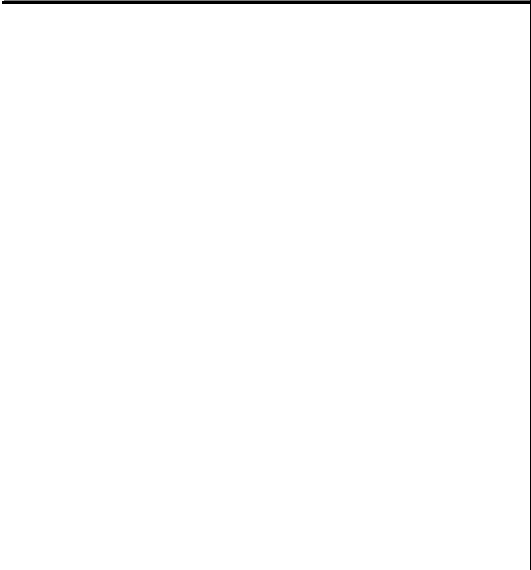
pro objednání volejte : tel. 411 131 040, emial : [info@super-ctyrkolky.cz](mailto:info@super-ctyrkolky.cz)







	<b>STAV</b>	<b>pro objednání volejte : tel. 411 131 040, emial : info@super-ctyrkolky.cz</b>
	<b>skladem</b>	
	<b>skladem</b>	
	<b>skladem</b>	
	<b>skladem</b>	
	<b>skladem</b>	
	<b>skladem</b>	
	<b>skladem</b>	
	<b>skladem</b>	
	<b>skladem</b>	



	<b>STAV</b>	<b>pro objednání volejte : tel. 411 131 040, emial : info@super-ctyrkolky.cz</b>
	<b>skladem</b>	

	skladem	
	skladem	
	skladem	
	skladem	
	skladem	
	skladem	
	skladem	
	skladem	
	skladem	
	skladem	
	skladem	
	skladem	
	skladem	
	skladem	
	skladem	

--	--	--

	STAV	pro objednání volejte : tel. 411 131 040, emial : info@super-ctyrkolky.cz
	skladem	
	skladem	
	skladem	
	skladem	
	skladem	
	skladem	
	skladem	
	skladem	
	skladem	

--	--	--

]









	<b>STAV</b>	<b>pro objednání volejte : tel. 411 131 040, emial : info@super-ctyrkolky.cz</b>
	<b>skladem</b>	
	<b>skladem</b>	
	<b>skladem</b>	
	<b>skladem</b>	
	<b>skladem</b>	
	<b>skladem</b>	
	<b>skladem</b>	
	<b>skladem</b>	
	<b>skladem</b>	

	<b>STAV</b>	<b>pro objednání volejte : tel. 411 131 040, emial : info@super-ctyrkolky.cz</b>
	<b>skladem</b>	



	<b>skladem</b>	



ORDER	STAV	pro objednání volejte : tel. 411 131 040, emial : info@super-ctyrkolky.cz
	<b>skladem</b>	
	<b>skladem</b>	



ORDER	STAV	pro objednání volejte : tel. 411 131 040, emial : info@super-ctyrkolky.cz
	<b>skladem</b>	
	<b>skladem</b>	
	<b>skladem</b>	
	<b>skladem</b>	
	<b>skladem</b>	
	<b>skladem</b>	
	<b>skladem</b>	
	<b>skladem</b>	



	<b>STAV</b>	<b>pro objednání volejte : tel. 411 131 040, emial : info@super-ctyrkolky.cz</b>
	<b>skladem</b>	
	<b>skladem</b>	
	<b>skladem</b>	
	<b>skladem</b>	
	<b>skladem</b>	
	<b>skladem</b>	
	<b>skladem</b>	
	<b>skladem</b>	
	<b>skladem</b>	
	<b>skladem</b>	
	<b>skladem</b>	



o

	<b>STAV</b>	<b>pro objednání volejte : tel. 411 131 040, emial : info@super-ctyrkolky.cz</b>
	<b>skladem</b>	
	<b>skladem</b>	
	<b>skladem</b>	



	<b>STAV</b>	
	<b>skladem</b>	
	<b>skladem</b>	
	<b>skladem</b>	
	<b>skladem</b>	
	<b>skladem</b>	
	<b>skladem</b>	
	<b>skladem</b>	

**pro objednání volejte : tel. 411 131 040, emial : info@super-ctyrkolky.cz**



	<b>STAV</b>	
	<b>skladem</b>	
	<b>skladem</b>	
	<b>skladem</b>	
	<b>skladem</b>	
	<b>skladem</b>	
	<b>skladem</b>	
	<b>skladem</b>	
	<b>skladem</b>	
	<b>skladem</b>	
	<b>skladem</b>	
	<b>skladem</b>	
	<b>skladem</b>	

**pro objednání volejte : tel. 411 131 040, emial : info@super-ctyrkolky.cz**

	<b>skladem</b>	
--	----------------	--

	<b>STAV</b>	
	<b>skladem</b>	
	<b>skladem</b>	
	<b>skladem</b>	
	<b>skladem</b>	
	<b>skladem</b>	
	<b>skladem</b>	
	<b>skladem</b>	
	<b>skladem</b>	
	<b>skladem</b>	
	<b>skladem</b>	
	<b>skladem</b>	
	<b>skladem</b>	
	<b>skladem</b>	
	<b>skladem</b>	
	<b>skladem</b>	
	<b>skladem</b>	

**pro objednání volejte : tel. 411 131 040, emial : [info@super-ctyrkolky.cz](mailto:info@super-ctyrkolky.cz)**















ORDER	STAV	pro objednání volejte : tel. 411 131 040, emial : info@super-ctyrkolky.cz
	skladem	
	skladem	



ORDER	STAV	pro objednání volejte : tel. 411 131 040, emial : info@super-ctyrkolky.cz
	skladem	
	skladem	
	skladem	
	skladem	



	cena s DPH	<b>STAV</b>	<b>pro objednání volejte : tel. 411 131 040, emial : info@super-ctyrl</b>
		<b>skladem</b>	
		<b>skladem</b>	
	149	<b>skladem</b>	
		<b>skladem</b>	
		<b>skladem</b>	
		<b>skladem</b>	
		<b>skladem</b>	
	89	<b>skladem</b>	

	<b>STAV</b>	<b>pro objednání volejte : tel. 411 131 040, emial : info@super-ctyrkolky.cz</b>
	<b>skladem</b>	
	<b>skladem</b>	
	<b>skladem</b>	
	<b>skladem</b>	
	<b>skladem</b>	
	<b>skladem</b>	
	<b>skladem</b>	
	<b>skladem</b>	

	<b>STAV</b>	<b>pro objednání volejte : tel. 411 131 040, emial : info@super-ctyrkolky.cz</b>
	<b>skladem</b>	
	<b>skladem</b>	
	<b>skladem</b>	

	<b>STAV</b>	<b>pro objednání volejte : tel. 411 131 040, emial : info@super-ctyrkolky.cz</b>
	<b>skladem</b>	
	<b>skladem</b>	
	<b>skladem</b>	
	<b>skladem</b>	
	<b>skladem</b>	
	<b>skladem</b>	
	<b>skladem</b>	
	<b>skladem</b>	
	<b>skladem</b>	
	<b>skladem</b>	
	<b>skladem</b>	
	<b>skladem</b>	
	<b>skladem</b>	
	<b>skladem</b>	
	<b>skladem</b>	

	<b>STAV</b>	
	<b>skladem</b>	
	<b>skladem</b>	
	<b>skladem</b>	
	<b>skladem</b>	
	<b>skladem</b>	

**pro objednání volejte : tel. 411 131 040, emial : [info@super-ctyrkolky.cz](mailto:info@super-ctyrkolky.cz)**

	<b>STAV</b>	
	<b>skladem</b>	
	<b>skladem</b>	
	<b>skladem</b>	
	<b>skladem</b>	
	<b>skladem</b>	
	<b>skladem</b>	

**pro objednání volejte : tel. 411 131 040, emial : [info@super-ctyrkolky.cz](mailto:info@super-ctyrkolky.cz)**



































































[kolky.cz](http://kolky.cz)































































































































































































[Redacted]

[Redacted]

[Redacted]

























