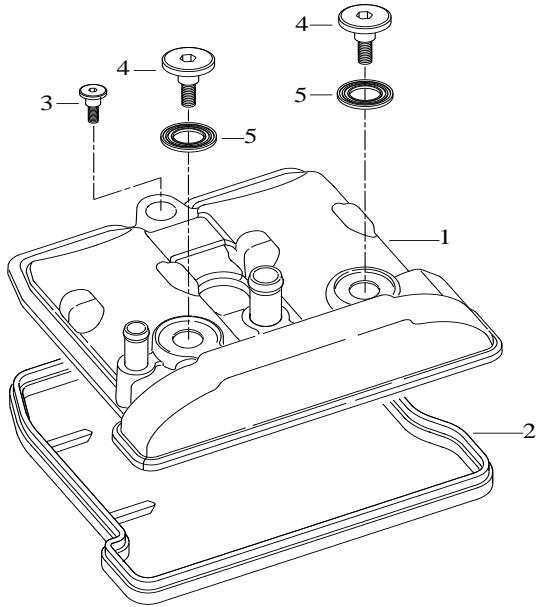


E-1 CYLINDER COVER

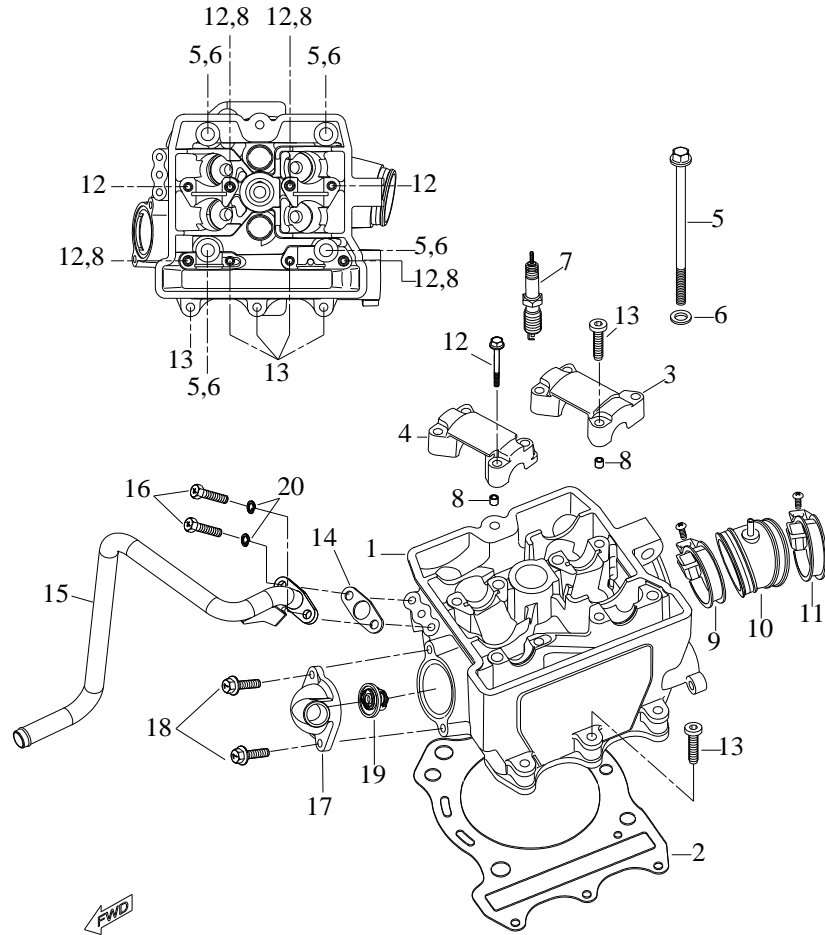


E-1 CYLINDER COVER

| Item | Part No. | Spec | Q'ty |
|------|-----------------|---|------|
| 1 | 12210-E12-000 | COVER COMP, cylinder head | 1 |
| 2 | 12310-E12-000 | GASKET, cylinder head cover | 1 |
| 3 | 91910-110310-12 | Bolt,Hex.Socket Ladder No.2 (M7*12) | 1 |
| 4 | 91910-110170-11 | Bolt,Hex.Socket Ladder No.1 (M7*11) | 2 |
| 5 | 93230-E12-000 | WASHER, cylinder head cover (11*26*2t) | 2 |

[BACK](#)

E-2 CYLINDER HEAD



E-2 CYLINDER HEAD

[BACK](#)

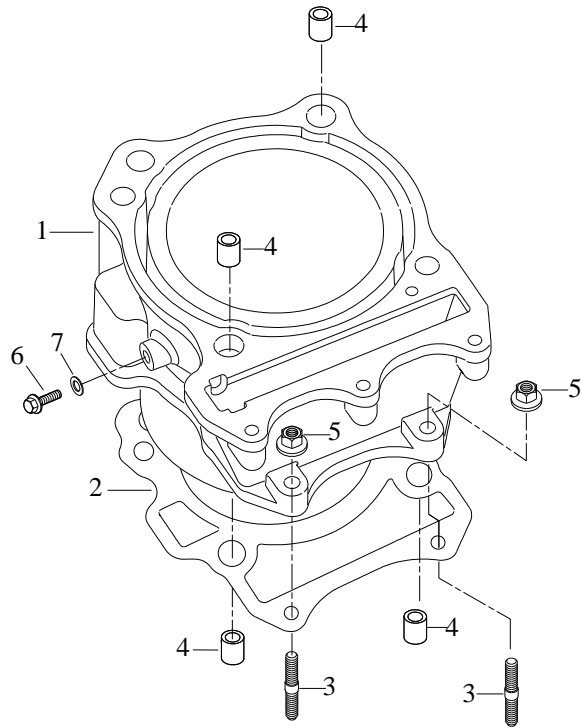
| Item | Part No. | | Spec | Q'ty |
|------|--------------------------------|-------------------------------|--------------|------|
| 1 | 12201-E12-000 | HEAD ASS'Y, cylinder | | 1 |
| 2 | 12300-E12-000 | GASKET, cylinder head | | 1 |
| 3 | 25105-E12-000 | HOUSING ,camshaft intake | | 1 |
| 4 | 25105-E12-010 | HOUSING ,camshaft exhaust | | 1 |
| 5 | 91700-10160-14 | BOLT, cylinder head (M10) | (M10*160) | 4 |
| 6 | 93100-10519-20G | WASHER, cylinder head bolt | (10.5*19*2t) | 4 |
| 7 | 98069-CR8E | PLUG, spark CR8E | | 1 |
| 8 | 94001-080110 | KNOCK PIN, camshaft housing | (6.4*8*11) | 4 |
| 9 | 97414-060090 | CLAMP, carburetor | | 1 |
| 10 | 16410-E12-000 | PIPE COMP, intake | | 1 |
| 11 | 97414-060090 | CLAMP, carburetor | | 1 |
| 12 | 91700-06040-10G | BOLT, camshaft housing (M6) | (M6*40) | 6 |
| 13 | 91760-06040-05 | BOLT, cylinder head No.1(M6) | (M6*40) | 5 |
| 14 | 12174-E12-000 | GASKET, Hose | | 1 |
| 15 | 12167-A12-001 | Hose, Air | | 1 |
| 16 | 91700-06016-10G | Hex Washer Face Bolt | M6*16 | 2 |
| 17 | 15305-E12-000 | CAP, thermostat connector | | 1 |
| 18 | 91700-06020-08W | BOLT, water pump case | (M6*20) | 2 |
| 19 | 15300-E12-000 | Thermostat Ass'y | (76度) | 1 |
| 20 | 93103-06210-12 | SPRING WASHER | | 2 |

E-3 CYLINDER

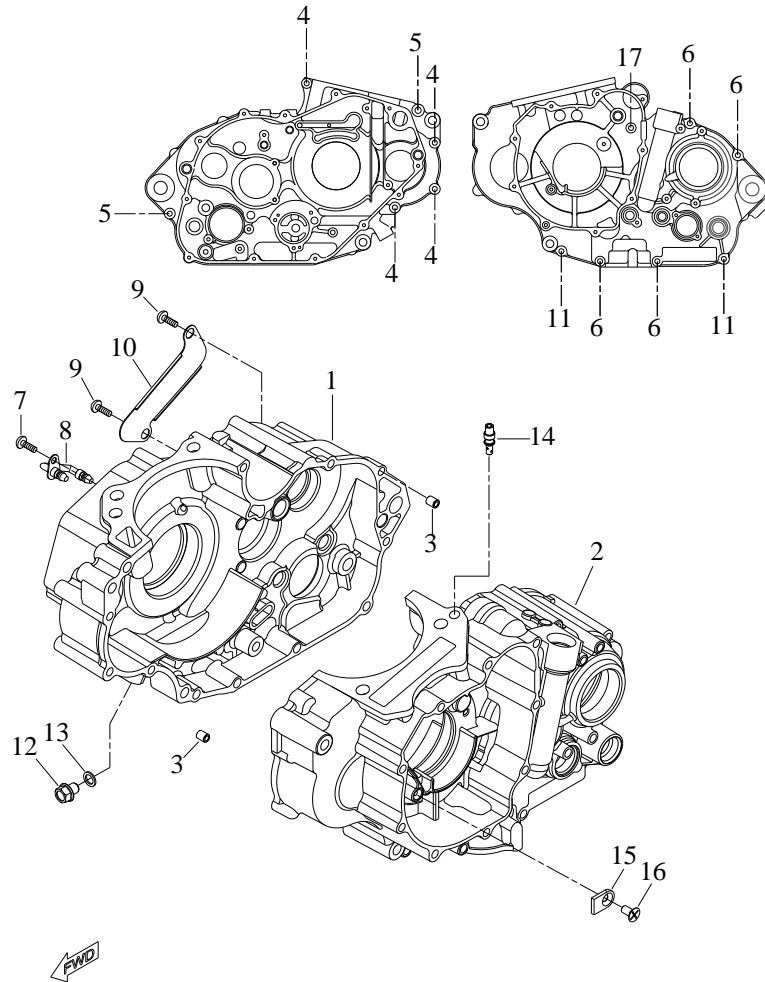
E-3 CYLINDER

| Item | Part No. | Spec | Q'ty |
|------|-----------------|--------------------------|------|
| 1 | 12100-E12-000 | CYLINDER COMP | 1 |
| 2 | 12191-E12-000 | GASKET, cylinder | 1 |
| 3 | 91000-06037 | BOLT, cylinder stud (M6) | 2 |
| 4 | 94001-130180 | PIN, cylinder knock | 4 |
| 5 | 92120-06-10C | NUT, cylinder M6 | 2 |
| 6 | 91700-06012-10W | BOLT, water drain | 1 |
| 7 | 93101-06513-12 | GASKET, water drain bolt | 1 |

[BACK](#)



E-4 CRANK CASE

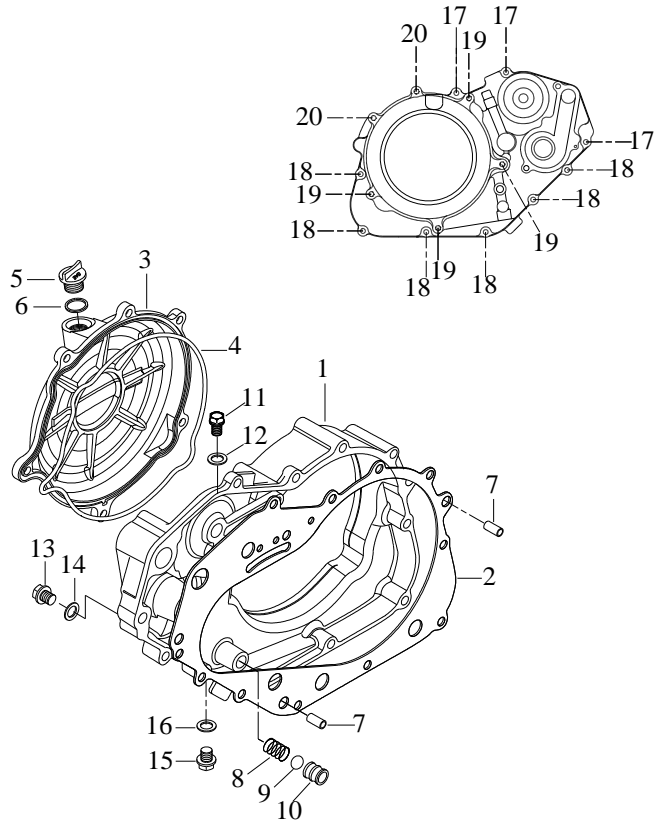


E-4 CRANK CASE

| Item | Part No. | Spec | Q'ty |
|------|-----------------|--|------|
| 1 | 11100-E12-000 | CRANKCASE COMP, R | 1 |
| 2 | 11200-E12-000 | CRANKCASE COMP, L | 1 |
| 3 | 94001-130180 | PIN, crankcase knock | 2 |
| 4 | 91700-06075-08W | BOLT, crankcase M6 (M6*75) | 4 |
| 5 | 91760-08050-06W | BOLT, crankcase M8 (M8*50) | 2 |
| 6 | 91700-06085-08W | BOLT, crankcase M6 (M6*85) | 4 |
| 7 | 91740-06010W | SCREW, gear shift cam bearing retain (M6*10) | 1 |
| 8 | 15130-E12-000 | PIPE COMP, oil connecter | 1 |
| 9 | 91740-06010W | SCREW, gear shift cam bearing retain (M6*10) | 2 |
| 10 | 11110-E12-000 | GUIDE, oil return | 1 |
| 11 | 91700-06065-08W | BOLT, crankcase M6 (M6*65) | 2 |
| 12 | 91700-10012-10C | BOLT, oil galley (M10*12) | 1 |
| 13 | 93101-10015-14 | GASKET, oil galley bolt (10*15*1.4t) | 1 |
| 14 | 15800-E12-000 | JET, oil. | 1 |
| 15 | 83120-E12-000 | RETAIN,COUNT SHA | 1 |
| 16 | 91732-06012W | SCRW OL GR SH (M6*12) | 1 |
| 17 | 91700-06070-08W | BOLT, MAGNETO COV (M6*70) | 1 |

[BACK](#)

E-5 CRANK CASE COVER



E-5 CRANK CASE COVER

| Item | Part No. | | Spec | Q'ty |
|------|-----------------|-----------------------------|---------------|------|
| 1 | 11350-E12-000 | COVER COMP, clutch | | 1 |
| 2 | 11393-E12-000 | GASKET, clutch cover | | 1 |
| 3 | 11360-E12-000 | COVER, clutch outer | | 1 |
| 4 | 11365-E12-000 | O-RING, clutch outer cover | | 1 |
| 5 | 15500-E12-000 | PLUG, eng oil filter | | 1 |
| 6 | 96200-208024 | O-RING, eng oil filter plug | (20.8*2.4) | 1 |
| 7 | 94001-130180 | PIN, clutch cover knock | (10.3*13*18) | 2 |
| 8 | 41052-E12-000 | SPRING, oil check ball | | 1 |
| 9 | 41053-E12-000 | BALL, oil check | | 1 |
| 10 | 93510-E12-000 | BUSH COMP, oil check | | 1 |
| 11 | 91700-06012-10W | BOLT, oil galley | (M6*12) | 1 |
| 12 | 93101-06513-12 | GASKET, oil galley bolt | (6.5*13*1.2t) | 1 |
| 13 | 91700-08012-10W | PLUG, oil check | (M8*12) | 1 |
| 14 | 93100-08015-13C | GASKET, oil check plug | (8*15*1.3t) | 1 |
| 15 | 91700-10012-10C | BOLT, oil galley | (M10*12) | 1 |
| 16 | 93101-10015-14 | GASKET, oil galley bolt | (10*15*1.4t) | 1 |
| 17 | 91700-06020-08W | BOLT, clutch cover | (M6*20) | 3 |
| 18 | 91700-06030-08W | BOLT, clutch cover | (M6*30) | 6 |
| 19 | 91700-06020-08W | BOLT, clutch cover outer | (M6*20) | 4 |
| 20 | 91700-06065-08W | BOLT, clutch cover outer | (M6*65) | 2 |

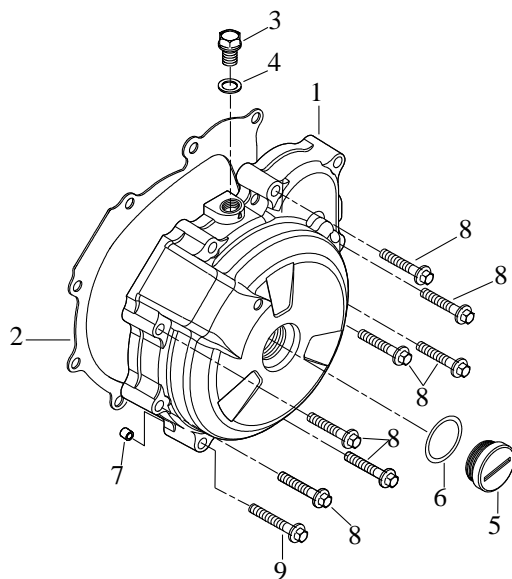
[BACK](#)

E-6 MAGNETO COVER

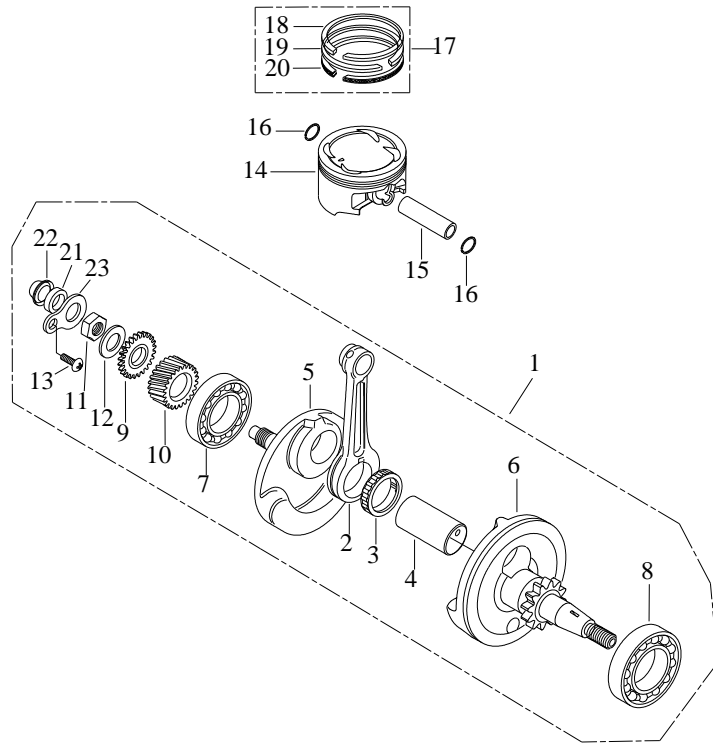
E-6 MAGNETO COVER

[BACK](#)

| Item | Part No. | Spec | Q'ty |
|------|-----------------|------------------------------|--------------|
| 1 | 11340-E12-000 | COVER, magneto | 1 |
| 2 | 11395-E12-000 | GASKET, magneto cover | 1 |
| 3 | 91840-E12-000 | PLUG, tdc | 1 |
| 4 | 93100-12017-10W | GASKET, tdc plug | (12*17*1.0t) |
| 5 | 91841-E12-000 | PLUG, crankshaft hole | 1 |
| 6 | 96200-240030 | O-RING, crankshaft hole plug | (24*3.0) |
| 7 | 94001-090118 | PIN, magneto cover knock | (6.3*9*11.8) |
| 8 | 91700-06040-08W | BOLT, magneto cover | M6*40 |
| 9 | 91700-06045-08W | BOLT, magneto cover | M6*45 |



E-7 CRANK SHAFT



E-7 CRANK SHAFT

[BACK](#)

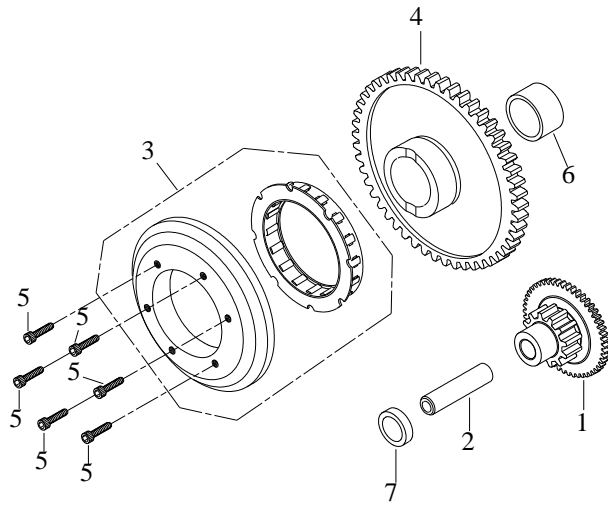
| Item | Part No. | Spec | Q'ty |
|------|-----------------|-----------------------------------|--------------------------------------|
| 1 | 13000-E12-000 | CRANK SHAFT ASS'Y | 1 |
| 2 | 13000-E12-000-1 | ROD, connecting | NOT SALE- included Crank Sh 1 |
| 3 | 13000-E12-000-2 | BEARING, crank pin | NOT SALE- included Crank Sh 2 |
| 4 | 13000-E12-000-3 | PIN COMP, crank | NOT SALE- included Crank Sh 1 |
| 5 | 13000-E12-000-4 | CRANK SHAFT, R | NOT SALE- included Crank Sh 1 |
| 6 | 13000-E12-000-5 | CRANK SHAFT, L | NOT SALE- included Crank Sh 1 |
| 7 | 95100-6306 | BEARING, crank shaft R | 1 |
| 8 | 95100-6307 | BEARING, crank shaft L | 1 |
| 9 | 13000-E12-000-6 | GEAR, water pump drive | 1 |
| 10 | 13000-E12-000-7 | GEAR, primary drive | 1 |
| 11 | 92110-18-24 | NUT, primary drive gear | 1 |
| 12 | 93106-14331-18 | WASHER, water pump deive gear loc | 1 |
| 13 | 91740-06010W | SCREW, oil return guide | (M6*10) 3 |
| 14 | 13300-E12-000 | PISTON | ϕ ϕ 1 |
| 15 | 13400-E12-000 | PIN, piston | (13* 19*74) 1 |
| 16 | 13410-E12-000 | CIRCLIP, piston pin | 2 |
| 17 | 13310-E12-000 | RINGSET, piston | 1 |
| 18 | 13310-E12-000-1 | RING, piston 1st | 1 |
| 19 | 13310-E12-000-2 | RING, piston 2nd | 1 |
| 20 | 13310-E12-000-3 | RING, piston oil | 1 |
| 21 | 96100-122407 | SEAL, crank shaft oil rh | (12*24*7) 1 |
| 22 | 14210-E12-000 | JET, crank shaft R | 1 |
| 23 | 83121-E12-000 | RETAINER, crank shaft oil seal | 1 |

E-8 STARTER CLUTCH

E-8 STARTER CLUTCH

[BACK](#)

| Item | Part No. | Spec | Q'ty |
|------|-----------------|--------------------------------------|------|
| 1 | 22120-E12-000 | GEAR, starter idle | 1 |
| 2 | 11344-E12-000 | SHAFT, sharter idle gear | 1 |
| 3 | 22100-E12-000 | CLUTCH, starter one way | 1 |
| 4 | 22110-E12-000 | GEAR, starter clutch | 1 |
| 5 | 91760-08016-06W | BOLT, starter clutch (M8*16) | 6 |
| 6 | 95200-2512 | BEARING, starter clutch gear | 1 |
| 7 | 93300-1319-06 | SPACER, starter idle gear (13*19*6t) | 1 |

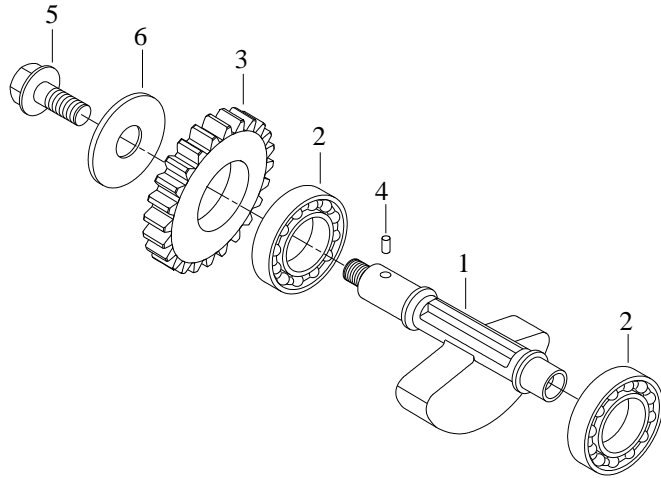


E-9 BALANCE GEAR

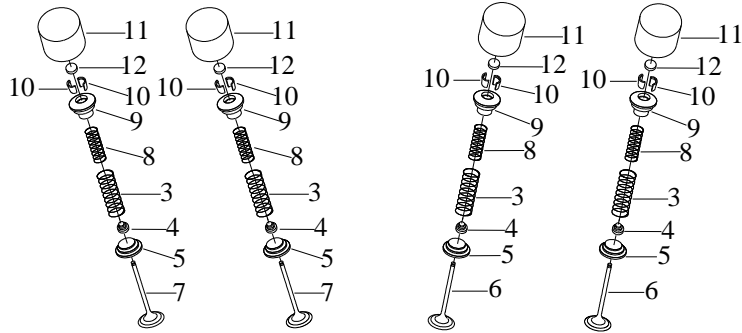
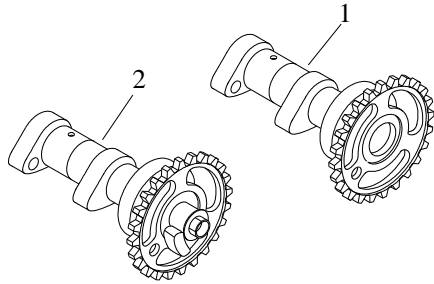
E-9 BALANCE GEAR

| Item | Part No. | | Spec | Q'ty |
|------|-----------------|----------------------------|----------------|------|
| 1 | 22370-E12-000 | BALANCER, crank | | 1 |
| 2 | 95100-T6204C3 | BEARING, crank balancer | | 2 |
| 3 | 22370-E12-000-1 | GEAR, crank balancer drive | | 1 |
| 4 | 94002-040069 | PIN, balancer drive | | 1 |
| 5 | 91770-10016-14W | BOLT, balancer | (M10*16) | 1 |
| 6 | 93107-10328-25 | WASHER, balancer bolt | (10.3*28*2.5t) | 1 |

[BACK](#)



E-10 CAMSHAFT/VALVE

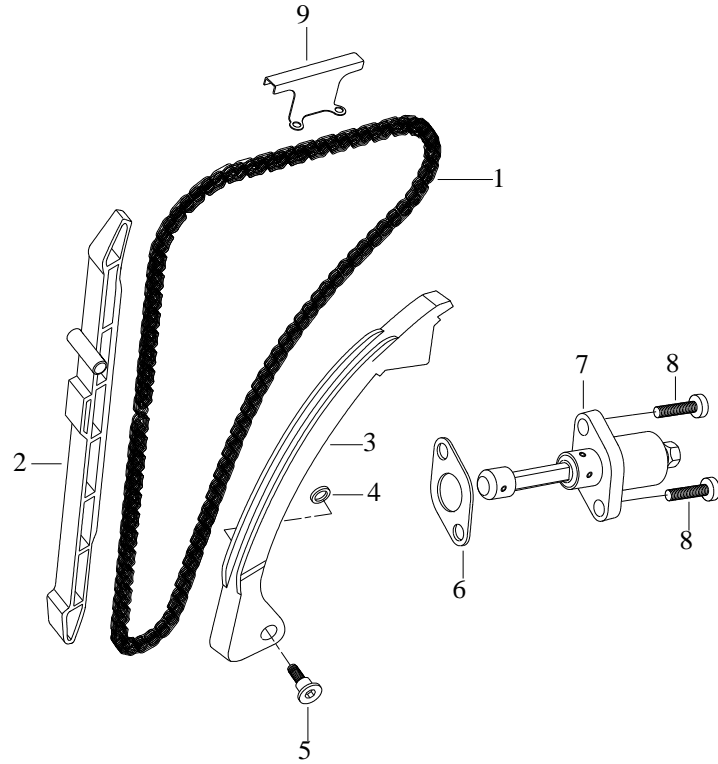


E-10 CAMSHAFT/VALVE

| Item | Part No. | Spec | Q'ty |
|------|---------------|-------------------------|------|
| 1 | 25100-E12-000 | CAMSHAFT ASS'Y, intake | 1 |
| 2 | 25100-E12-010 | CAMSHAFT ASS'Y, exhaust | 1 |
| 3 | 14735-E12-000 | SPRING, valve outer | 4 |
| 4 | 14730-E12-000 | SEAL, valve stem oil | 4 |
| 5 | 14776-E12-000 | SEAT, valve spring | 4 |
| 6 | 14720-E12-000 | VALVE, intake | 2 |
| 7 | 14721-E12-000 | VALVE, exhaust | 2 |
| 8 | 14736-E12-000 | SPRING, valve inner | 4 |
| 9 | 14771-E12-000 | RETAINER, valve spring | 4 |
| 10 | 14781-E12-000 | COTTER, valve | 8 |
| 11 | 14780-E12-000 | TAPPET | 4 |
| 12 | 14782-E12-000 | SHIM, tappet | 4 |

[BACK](#)

E-11 CAM CHAIN

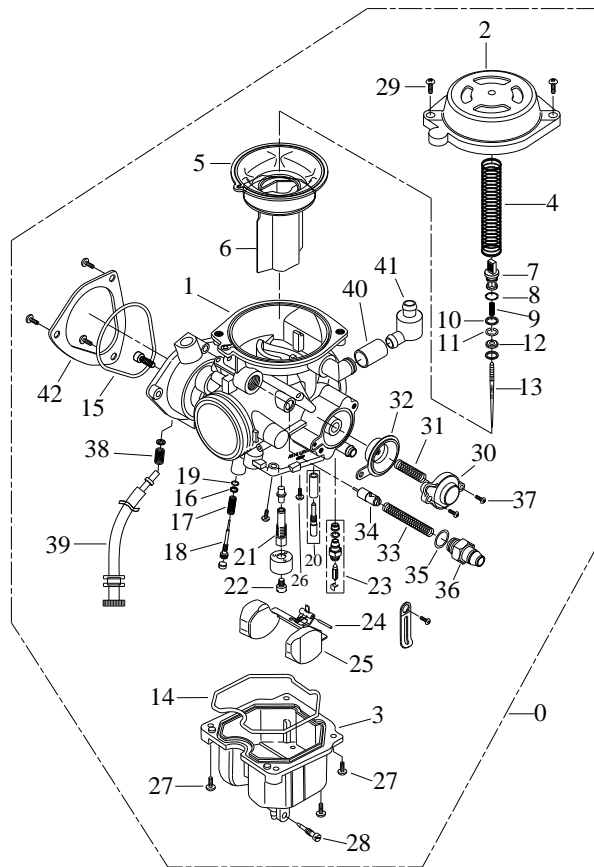


E-11 CAM CHAIN

| Item | Part No. | Spec | Q'ty |
|------|-----------------|---|------|
| 1 | 23318-E12-000 | CHAIN COMP, camshaft drive | 2 |
| 2 | 14503-E12-000 | GUIDE, camchain NO.1 | 2 |
| 3 | 14500-E12-000 | TENSIONER, camchain | 2 |
| 4 | 93100-06018-10 | WASHER, camchain tensioner bolt (6*18*1.0t) | 2 |
| 5 | 14505-E12-000 | BOLT, camchain tensioner | 1 |
| 6 | 14553-E12-000 | GASKET, tensioner adjuster | 1 |
| 7 | 14550-E12-000 | ADJUSTER ASSY, tensioner | 1 |
| 8 | 91760-06020-04W | BOLT, tensioner adjuster (M6*20) | 2 |
| 9 | 14510-E12-000 | GUIDE, camchain NO.2 | 1 |

[BACK](#)

E-12 CARBURETOR ASSY

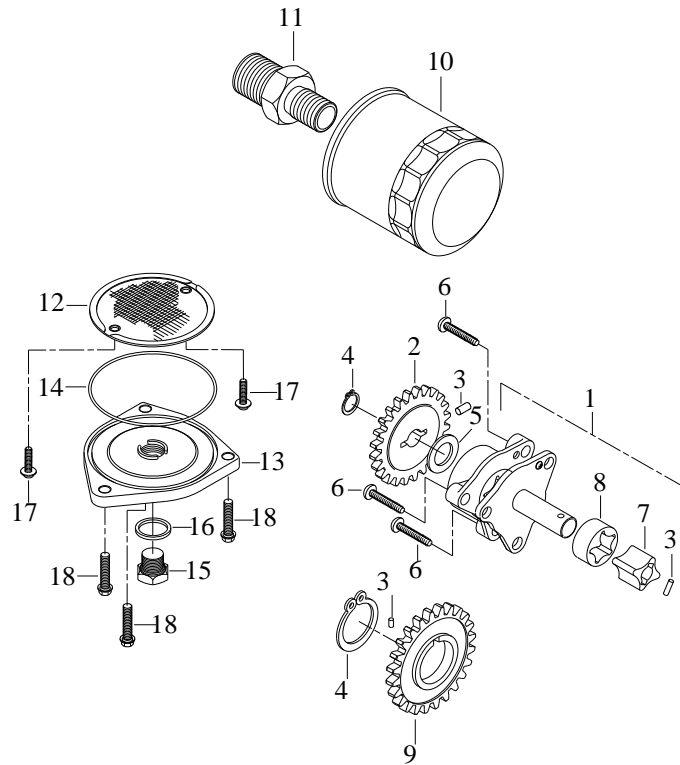


E-12 CARBURETOR ASS'Y

| Item | Part No. | Spec | Q'ty |
|------|---------------|--------------------|------|
| 0 | 16100-E12-000 | CARBURATOR ASS'Y | 1 |
| 1 | 16140-E12-000 | MIXING BODY ASS'Y | 1 |
| 2 | 16150-E12-000 | DIAPHRAGM COVER | 1 |
| 3 | 16160-E12-000 | FLOAT BODY | 1 |
| 4 | 16133-E12-000 | COMPRESSION SPRING | 1 |
| 5 | 16170-E12-000 | DIAPHRAGM | 1 |
| 6 | 16126-E12-000 | PISTON VALVE | 1 |
| 7 | 16132-E12-000 | HOLDER | 1 |
| 8 | 96200-045020 | O-RING (4.5*2) | 1 |
| 9 | 97224-E12-000 | COMPRESSION SPRING | 1 |
| 10 | 93100-0306310 | WASHER | 1 |
| 11 | 16136-E12-000 | E-RING | 1 |
| 12 | 93104-0307025 | RING | 1 |
| 13 | 16131-E12-000 | JET NEEDLE | 1 |
| 14 | 16109-E12-000 | O-RING | 1 |
| 15 | 16121-E10-000 | O-RING | 1 |
| 16 | 93100-0305005 | WASHER | 1 |
| 17 | 97223-E12-000 | COMPRESSION SPRING | 1 |
| 18 | 16129-E12-000 | ADJUSTER(PS) | 1 |
| 19 | 96200-038010 | O-RING | 1 |
| 20 | 16102-E12-000 | PILOT JET 45 | 1 |
| 21 | 16106-E12-000 | JET HOLDER | 1 |
| 22 | 16101-E12-000 | MAIN JET 162,5 | 1 |
| 23 | 16113-E12-000 | NEEDLE VALVE ASS'Y | 1 |
| 24 | 16108-E12-000 | PIN | 1 |
| 25 | 16107-E12-000 | FLOAT ASS'Y | 1 |
| 26 | 16110-E10-000 | SCREW | 1 |
| 27 | 16110-E10-010 | SCREW | 3 |
| 28 | 16120-E10-000 | SCREW | 1 |
| 29 | 16135-E12-000 | SCREW | 2 |
| 30 | 16151-E12-000 | COVER ASS'Y | 1 |
| 31 | 16133-E12-010 | COMPRESSION SPRING | 1 |
| 32 | 16171-E12-000 | DIAPHRAGM ASS'Y | 1 |
| 33 | 16124-E12-000 | COMPRESSION SPRING | 1 |
| 34 | 16125-E12-000 | PLUNGER ASSY | 1 |
| 35 | 96200-100015 | O-RING | 1 |
| 36 | 16118-E12-000 | GUIDE HOLDER | 1 |
| 37 | 16110-E12-000 | SCREW | 2 |
| 38 | 97225-E12-000 | COMPRESSION SPRING | 1 |
| 39 | 16128-E12-000 | ADJUSTER SCREW | 1 |
| 40 | 16310-11035 | Tube A, Fuel | 1 |
| 41 | 16305-E10-000 | Air Filter, Box | 1 |
| 42 | 16122-E10-000 | | 1 |

[BACK](#)

E-13 OIL PUMP

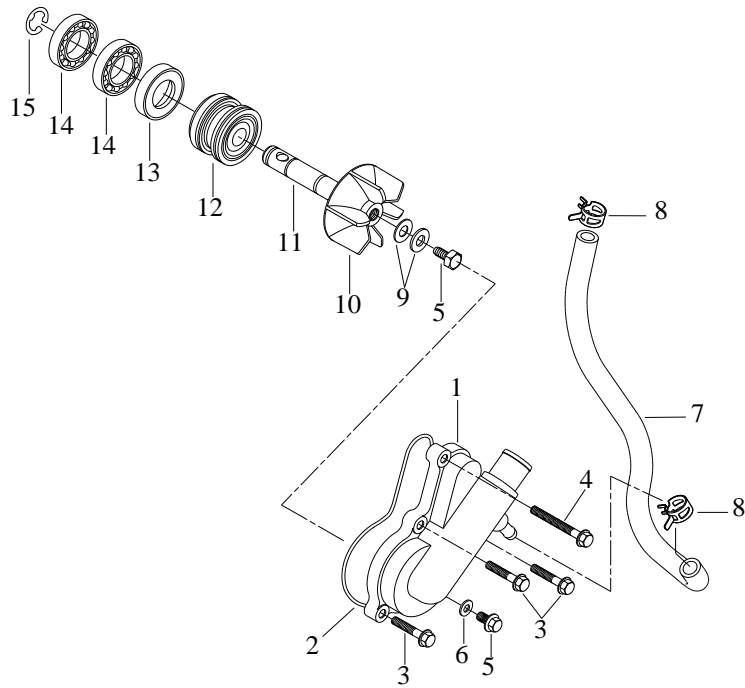


E-13 OIL PUMP

| Item | Part No. | Spec | Q'ty |
|------|-----------------|---|---------------------------------------|
| 1 | 15100-E12-000 | PUMP ASS'Y, oil | 1 |
| 2 | 15111-E12-000 | GEAR, oil pump driven | 1 |
| 3 | 94002-040160 | PIN, oil pump driven gear (4*16) | 3 |
| 4 | 93406-STW10 | CIRCLIP, oil pump driven gear | 2 |
| 5 | 93107-10218-05 | SHIM, oil pump driver gear (10.2*18*0.5t) | 1 |
| 6 | 91732-06025W | SCREW, oil pump (M6*25) | 3 |
| 7 | 15100-E12-000-1 | ROTOR, oil pump inner No.1 | Not sale, it is included oil pump / 1 |
| 8 | 15100-E12-000-2 | ROTOR, oil pump inner No.2 | Not sale, it is included oil pump / 1 |
| 9 | 15110-E12-000 | GEAR, oil pump driven | 1 |
| 10 | 15290-E12-000 | FILTER ASS'Y, engine oil | 1 |
| 11 | 15291-E12-000 | UNION, engine oil filter | 1 |
| 12 | 15281-E12-000 | STRAINER COMP, engine oil | 1 |
| 13 | 15283-E12-000 | CAP, oil strainer | 1 |
| 14 | 96200-600024 | O-RING, oil strainer cap (60*2.4) | 1 |
| 15 | 91833-E12-000 | PLUG, oil drain | 1 |
| 16 | 93100-14520-10 | GASKET, drain plug (14.5*20*1.0t) | 1 |
| 17 | 91700-05012-08W | SCREW, engine oil strainer (M5*12) | 2 |
| 18 | 91700-06020-08W | BOLT, oil strainer cap (M6*20) | 3 |

[BACK](#)

E-14 WATER PUMP

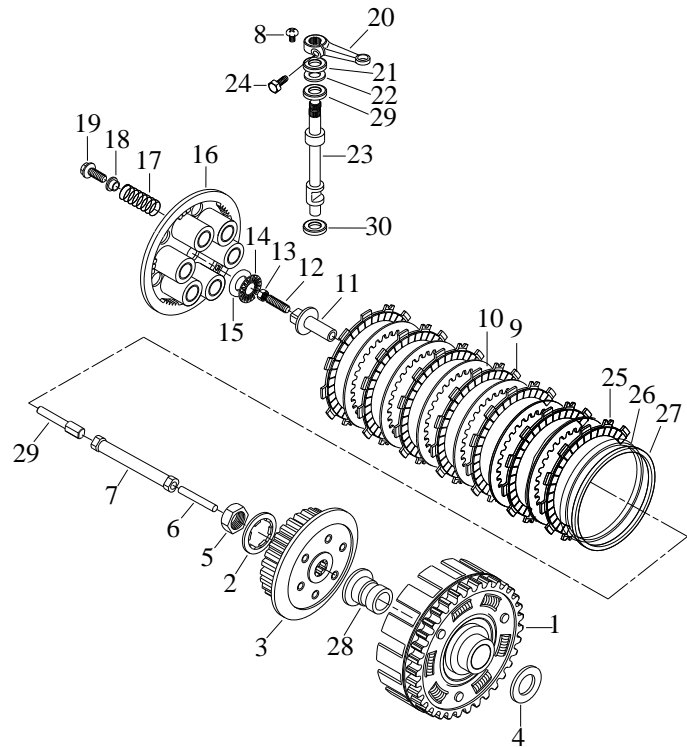


E-14 WATER PUMP

| Item | Part No. | Spec | Q'ty |
|------|-------------------|---------------------------------------|------|
| 1 | 15215-E12-000 | CASE COMP, water pump | 1 |
| 2 | 15218-E12-000 | O-RING, water pump case | 1 |
| 3 | 91700-06025-08W | BOLT, water pump case (M6*20) | 3 |
| 4 | 91700-06070-08W | BOLT, water pump case (M6*60) | 1 |
| 5 | 91700-06010-10W | PULG, water drain (M6*10) | 2 |
| 6 | 93101-06513-12 | GASKET, oil galley bolt (6.5*13*1.2t) | 1 |
| 7 | 15233-E12-000 | HOSE, thermostat bypass | 1 |
| 8 | 97411-133-10 | CLAMP, thermostat bypass hose | 2 |
| 9 | 93100-06513-07 | WASHER, impeller rock 6.5*13*0.7t) | 2 |
| 10 | 15213-E12-000 | IMPELLER, water pump | 1 |
| 11 | 15217-E12-000 | SHAFT, water pump Not sale yet | 1 |
| 12 | 15220-E12-000 | SEAL, mechanical | 1 |
| 13 | 96100-09283H10001 | SEAL, oil | 1 |
| 14 | 95100-6900 | BEARING, water pump | 2 |
| 15 | 93410-E12-000 | E-RING, water pump | 1 |

[BACK](#)

E-15 CLUTCH ASS'Y



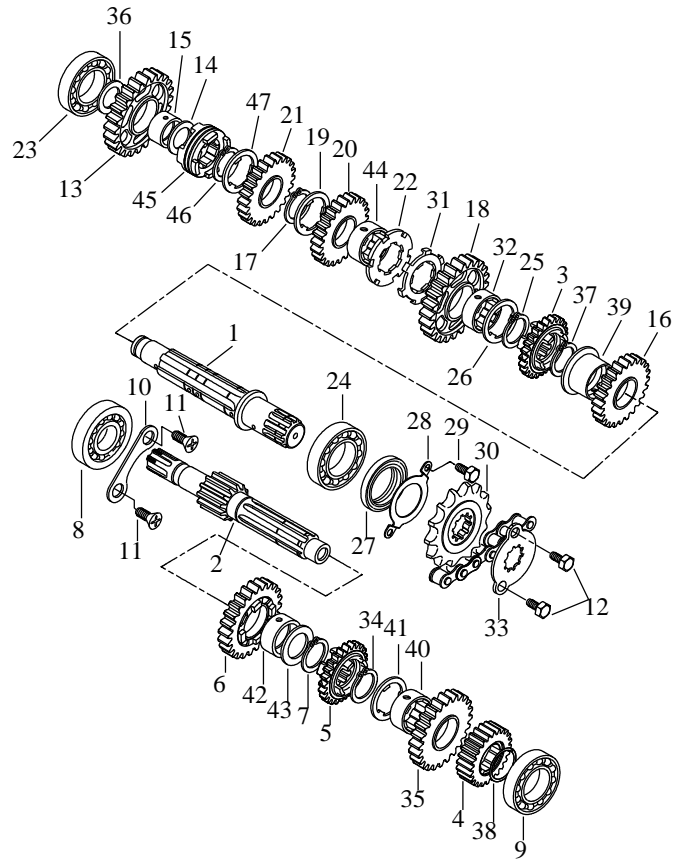
E-15 CLUTCH ASS'Y

| Item | Part No. | Spec | Q'ty |
|------|-----------------|---|------|
| 1 | 22340-E12-000 | GEAR ASS'Y, primary driven | 1 |
| 2 | 93240-E12-000 | WASHER, clutch sleeve hub thrust | 1 |
| 3 | 22341-E12-000 | HUB, clutch sleeve | 1 |
| 4 | 93100-20235-30 | WASHER, primary driven gear thrust (20.2*35.4*3t) | 1 |
| 5 | 92110-20-27B | NUT, clutch sleeve hub (M20*8t) | 1 |
| 6 | 22342-E12-000 | ROD, clutch push | 2 |
| 7 | 22344-E12-000 | ROD COMP, clutch push M | 1 |
| 8 | 91731-06010W | STOPPER, clutch release camshaft oi (M6*10) | 1 |
| 9 | 22345-E12-000 | PLATE, clutch drive | 6 |
| 10 | 22347-E12-000 | PLATE, clutch driven | 6 |
| 11 | 22343-E12-000 | PIECE, clutch push | 1 |
| 12 | 91000-06010 | SCREW, clutch release adjuster | 1 |
| 13 | 92110-06-10W | NUT, clutch release adjust (M6*t=3) | 1 |
| 14 | 95200-15282 | BEARING, clutch release thrust | 1 |
| 15 | 93107-15028-10 | WASHER, clutch release thrust (15*28*1.0t) | 1 |
| 16 | 22348-E12-000 | DISK, clutch pressure | 1 |
| 17 | 22331-E12-000 | SPRING, clutch | 6 |
| 18 | 22349-E12-000 | RETAINER, clutch spring | 6 |
| 19 | 91770-06040-10 | BOLT, clutch spring (M6*40) | 6 |
| 20 | 41072-E12-000 | ARM, clutch release | 1 |
| 21 | 96100-122807 | OIL SEAL, clutch release camshaft | 1 |
| 22 | 93100-12028-10W | THRUST WASHER, clutch release c | 1 |
| 23 | 22350-E12-000 | SHAFT, clutch release cam | 1 |
| 24 | 91770-06020-10W | BOLT, clutch release arm (M6*20) | 1 |
| 25 | 22346-E12-000 | PLATE, clutch driven No.2 (φ φ) | 1 |
| 26 | 22352-E12-000 | WASHER, clutch wave (φ 114*φ 118*1.0t) | 1 |
| 27 | 22353-E12-000 | SEAT, clutch wave washer (113* 118*1.8t) | 1 |
| 28 | 22351-E12-000 | SPACER, primary driven gear | 1 |
| 29 | 95200-HK1812 | Bearing, Needle | 1 |
| 30 | 95200-HK1010 | Bearing, Needle | 1 |

[BACK](#)

FWD

E-16 TRANSMISSION



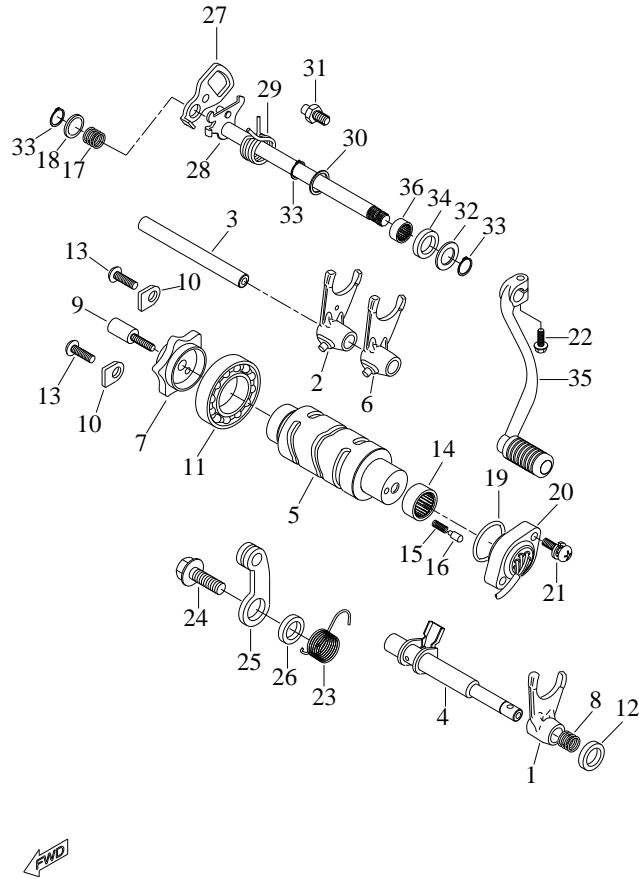
E-16 TRANSMISSION

| Item | Part No. | Spec | Q'ty |
|------|-----------------|---|------|
| 1 | 23650-E12-000 | SHAFT COMP, drive | 1 |
| 2 | 23610-E12-000 | SHAFT ASS'Y, counter | 1 |
| 3 | 23654-E12-000 | GEAR, 4th driven | 1 |
| 4 | 23611-E12-000 | GEAR, 2nd drive | 1 |
| 5 | 23612-E12-000 | GEAR, 3rd drive | 1 |
| 6 | 23614-E12-000 | GEAR, 5th drive | 1 |
| 7 | 93406-STW25 | CIRCLIP, 5th drive gear | 1 |
| 8 | 95100-T6304 | BEARING, counter shaft R(#6304) | 1 |
| 9 | 95100-T6203 | BEARING, counter shaft L | 1 |
| 10 | 83120-E12-010 | RETAINER, counter shaft bearing | 1 |
| 11 | 91732-06012W | SCREW, counter shaft bearing rtng (M6*12) | 2 |
| 12 | 91700-06012-10W | BOLT, engine sprocket (M6*12) | 2 |
| 13 | 23651-E12-000 | GEAR, 1st driven | 1 |
| 14 | 93201-E12-000 | SHIM, 1st driven gear | 1 |
| 15 | 95400-E12-000 | BUSH, 1st driven gear | 1 |
| 16 | 23652-E12-000 | GEAR, 2nd drive | 1 |
| 17 | 93406-STW25 | CIRCLIP, 4th driven gear | 1 |
| 18 | 23653-E12-000 | GEAR, 3rd driven | 1 |
| 19 | 93202-E12-000 | THRUST WASHER, 4th driven gear | 1 |
| 20 | 23655-E12-000 | GEAR, 5th driven | 1 |
| 21 | 23656-E12-000 | GEAR, reverse driven | 1 |
| 22 | 93203-E12-000 | WASHER, 3rd & 4th driven gear th | 1 |
| 23 | 95100-6203RS | BEARING, drive shaft R | 1 |
| 24 | 95100-6305RS | BEARING, drive shaft L | 1 |
| 25 | 93406-STW25 | CIRCLIP, 3rd driven gear | 1 |
| 26 | 93202-E12-000 | THRUST WASHER, 3rd driven gear | 1 |
| 27 | 96100-253806 | OIL SEAL, drive shaft (25*38*06) | 1 |
| 28 | 83121-E12-010 | RETAINER, drive shaft oil seal | 1 |
| 29 | 91770-06010-10C | BOLT, drive shaft oil seal retainer (M6*10) | 2 |
| 30 | 23810-E12-000 | SPROCKET COMP, engine 14T(#52) | 1 |
| 31 | 93220-E12-000 | WASHER, thrust washer lock | 1 |
| 32 | 95401-E12-000 | BUSH, 3rd driven gear | 1 |
| 33 | 23900-E12-000 | LOCK WASHER, engine sprocket | 1 |
| 34 | 93406-STW25 | CILCLIP, 6th driven gear | 1 |
| 35 | 23613-E12-000 | GEAR, 4th drive | 1 |
| 36 | 93107-17528-10 | SHIM, drive shaft (17.5*28*1) | 1 |
| 37 | 93406-STW25 | CILCLIP, 2nd driven gear | 1 |
| 38 | 93450-E12-000 | CILCLIP, 2nd drive gear | 1 |
| 39 | 95401-E12-010 | BUSH, 3nd driven gear | 1 |
| 40 | 95401-E12-000 | BUSH, 4th drive gear | 1 |
| 41 | 93202-E12-000 | WASHER, 4th drive gear | 1 |
| 42 | 95410-E12-000 | BUSH, 5th drive gear | 1 |
| 43 | 93210-E12-000 | SHIM, 5th drive gear | 1 |

[BACK](#)

| | | | |
|----|---------------|------------------------------|---|
| 44 | 95402-E12-000 | BUSH, reverse driven gear | 1 |
| 45 | 23657-E12-000 | WHEEL, sliding dog | 1 |
| 46 | 93406-STW25 | CIRCLIP, reverse driven gear | 1 |
| 47 | 93202-E12-000 | WASHER, reverse driven gear | 1 |

E-17 GEAR SHAFTING



E-17 GEAR SHAFTING

| Item | Part No. | Spec | Q'ty |
|------|-----------------|--|------|
| 1 | 41005-E12-000 | FORK, gear shift No.3 | 1 |
| 2 | 41000-E12-000 | FORK, gear shift No.1 | 1 |
| 3 | 41020-E12-000 | SHAFT, gear shift fork No.2 | 1 |
| 4 | 41042-E12-000 | SHAFT, gear shift fork No.1 | 1 |
| 5 | 41030-E12-000 | CAM COMP, gear shift | 1 |
| 6 | 41000-E12-010 | FORK, gear shift No.2 | 1 |
| 7 | 41035-E12-000 | PLATE COMP, gear shift cam | 1 |
| 8 | 97220-E12-000 | SPRING, gear shift fork No.1 return | 1 |
| 9 | 41031-E12-000 | BOLT, gear shift cam plate | 1 |
| 10 | 83120-E12-000 | RETAINER, gear shift cam bearing R | 2 |
| 11 | 95100-16005C3 | BEARING, gear shift cam R | 2 |
| 12 | 96100-102006 | SEAL, gear shift fork No.1 oil (10*20*06) | 1 |
| 13 | 91740-06010W | SCREW, gear shift cam bearing retain (M6*10) | 2 |
| 14 | 95200-2512 | BEARING, gear shift cam L ϕ | 1 |
| 15 | 97221-E12-000 | SPRING, gear shift shift contact (ϕ 0.6* 4.5*13) | 1 |
| 16 | 94002-045155 | CONTACT, gear shift switch (4.5*15.5) | 1 |
| 17 | 97222-E12-000 | SPRING, gear shift cam drive plate | 1 |
| 18 | 93107-14221-10 | SHIM, gear shift shift thrust (14.2*21*1.0t) | 2 |
| 19 | 96200-260022 | O-RING, gear shift switch | 1 |
| 20 | 61210-E12-000 | SWITCH ASS'Y, gear shift | 1 |
| 21 | 91741-05020W | SCREW, gear shift switch (M5*20) | 2 |
| 22 | 91710-06032-10G | BOLT, gear shift lever | 1 |
| 23 | 97270-E12-000 | SPRING, gear shift cam stopper | 1 |
| 24 | 91900-090025-12 | BOLT, gear shift cam stopper (M6xP1.0x2.5(12)) | 1 |
| 25 | 41036-E12-000 | STOPPER COMP, gear shift cam | 1 |
| 26 | 93107-06212-10 | WASHER, gear shift shaft thrust (6.2*12*1.0t) | 1 |
| 27 | 41045-E12-000 | PLATE, gear shift cam drive | 1 |
| 28 | 41040-E12-000 | SHAFT COMP, gear shift | 1 |
| 29 | 97275-E12-000 | SPRING, gear shift shaft return | 1 |
| 30 | 93107-14221-10 | SHIM, gear shift shaft | 1 |
| 31 | 91842-E12-000 | STOPPER, gear shift arm | 1 |
| 32 | 93100-14229-08B | WASHER, gear shift shaft thrust (14.2*29*0.8t) | 1 |
| 33 | 93406-STW14A | CIRCLIP, gear shift shaft | 3 |
| 34 | 96100-142407 | SEAL, gear shift shaft oil (14*24*07) | 1 |
| 35 | 41070-E12-000 | LEVER ASS'Y, gear shift cam | 1 |
| 36 | 95200-HK1412 | BEARING, gear shift shaft | 1 |

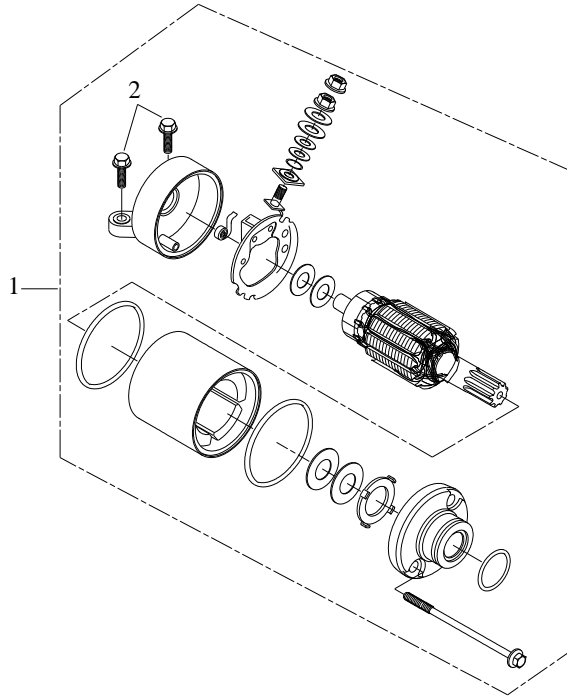
[BACK](#)

E-18 STARTING MOTOR

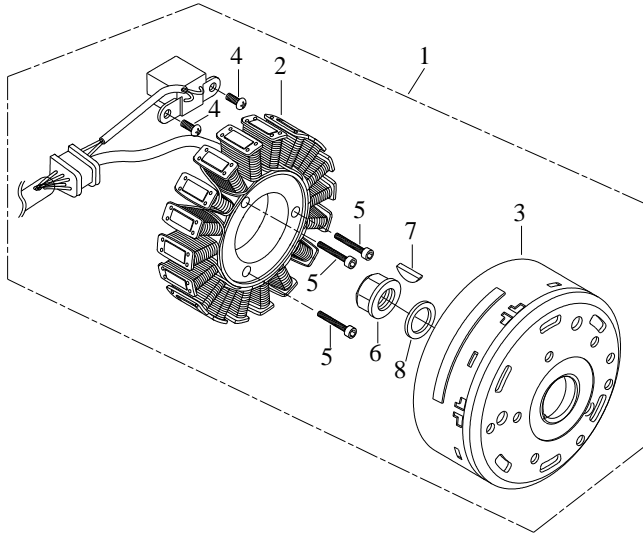
E-18 STARTING MOTOR

| Item | Part No. | Spec | Q'ty |
|------|-----------------|--------------------------------------|------|
| 1 | 31200-E12-000 | MOTOR ASSY, starting | 1 |
| 2 | 91700-06025-08W | BOLT, start motor bracket (M6*25) | 2 |

[BACK](#)



E-19 MAGNETO ASS'Y

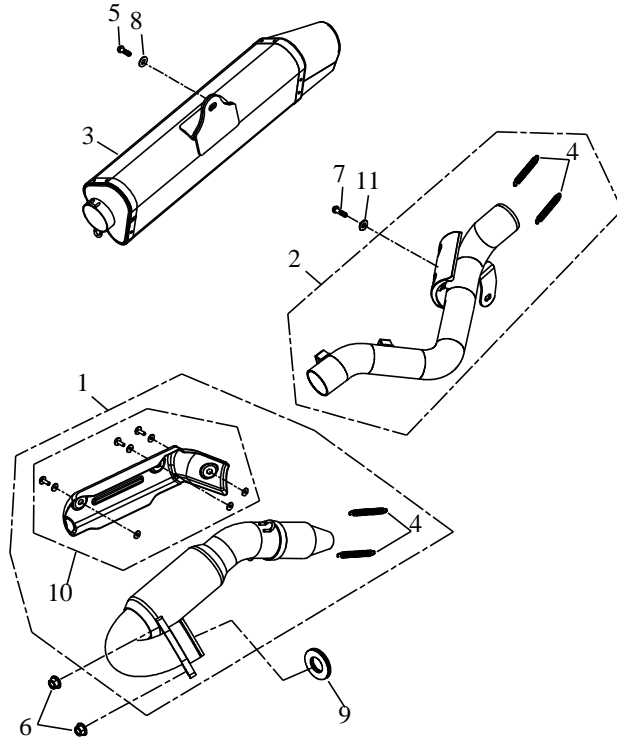


E-19 MAGNETO ASS'Y

| Item | Part No. | | Spec | Q'ty |
|------|-----------------|----------------------|----------------|------|
| 1 | 31000-E12-000 | MAGNETO ASS'Y | | 1 |
| 2 | 31120-E12-000 | STATOR ASS'Y | | 1 |
| 3 | 31100-E12-000 | ROTOR, fly wheel | | 1 |
| 4 | 91740-05012W | SCREW, pick-up coil | (M5X12) | 2 |
| 5 | 91760-06030-04W | BOLT, magneto stator | (M6X30) | 3 |
| 6 | 92120-12-17W | NUT, magneto | (M12) | 1 |
| 7 | 13010-E12-000 | KEY, magneto | | 1 |
| 8 | 93100-13324-10 | WASHER, magneto | (13.3*24*1.0t) | 1 |

[BACK](#)

F-1 排氣管

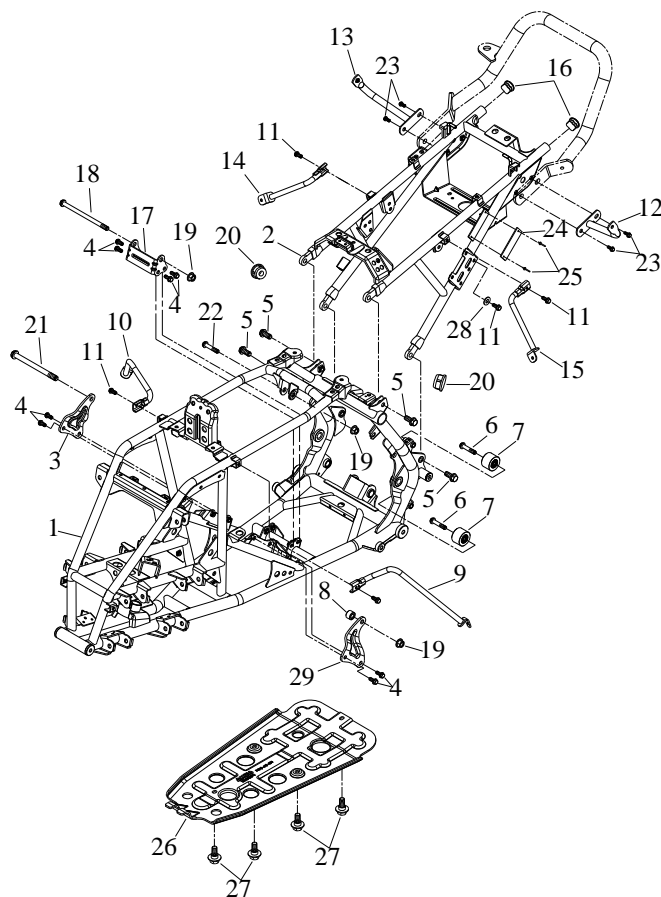


F-1 EXHAUST PIPE

| Item | Part No. | | Spec | Q'ty |
|------|-------------------------------|----------------------|---------|------|
| 1 | 12164-A12-001 | Exhaust Pipe | | 1 |
| 2 | 12169-A12-001 | | | 1 |
| 3 | 12160-A12-001 | Exhaust Muffler | | 1 |
| 4 | 97213-A12-000 | | | 4 |
| 5 | P91710-10022-14G | Hex Washer Face Bolt | M10x22 | 1 |
| 6 | 92130-08S-14G | Nut, Insert Lock | M8 | 2 |
| 7 | 91700-08016-12G | Hex Washer Face Bolt | M8x16 | 1 |
| 8 | P93100-10022-20C | Washer, Plate | 10x22x2 | 1 |
| 9 | 12161-A12-000 | Washer, Muffler | | 1 |
| 10 | 12162-A12-000 | Heat shield (front) | | 1 |
| 11 | P93100-08522-20G | Washer, Plate | 8x22x2 | 1 |

[BACK](#)

F-2 車架

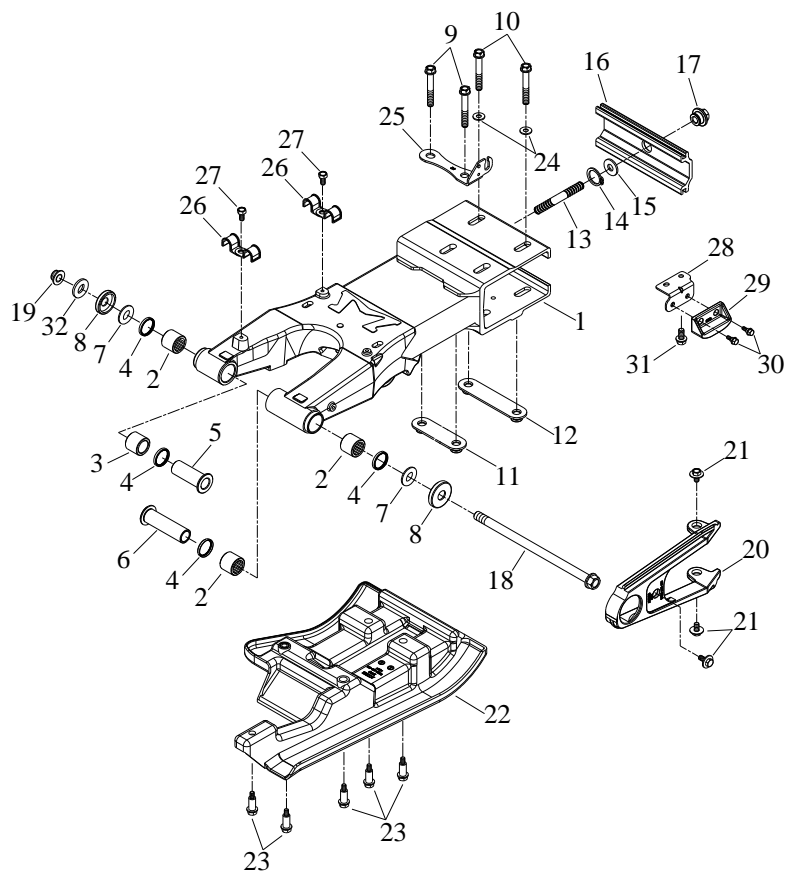


F-2 CHASSIS

| Item | Part No. | | Spec | Q'ty |
|------|------------------|-------------------------|-------------------|------|
| 1 | 71000-A12-000-SI | Chassis | Silver | 1 |
| 2 | 71110-A12-000-SI | Rail, Seat | Silver | 1 |
| 3 | 71205-A12-000 | Plate,Mount | | 1 |
| 4 | 91700-08016-12G | Hex Washer Face Bolt | M8x16 | 8 |
| 5 | P91710-10022-14G | Hex Washer Face Bolt | M10x22 | 4 |
| 6 | 91710-08038-12G | Hex Washer Face Bolt | M8x38 | 2 |
| 7 | 23320-A03-100 | Roller,chain control | | 2 |
| 8 | 93300-1020-20 | Spacer | 10.5*20*20 | 1 |
| 9 | 71252-A03-000 | Support, Front Fender L | | 1 |
| 10 | 71254-A03-000 | Support, Front Fender R | | 1 |
| 11 | 91700-06012-10G | Hex Washer Face Bolt | M6x12 | 4 |
| 12 | 71260-A03-000 | Support, Rear Fender L | | 1 |
| 13 | 71265-A03-000 | Support Rear Fender R | | 1 |
| 14 | 71216-A03-000 | Support, Floor Panel R | | 1 |
| 15 | 71217-A03-000 | Support, Floor Panel L | | 1 |
| 16 | 93612-A03-000 | Cap, pipe | CF22-7/8 PA6 | 2 |
| 17 | 71204-A12-000 | Plate,Mount | | 1 |
| 18 | 91700-10110-14G | Hex Washer Face Bolt | M10x110 | 1 |
| 19 | 92130-10S-14G | Nut, Insert Lock | M10 | 3 |
| 20 | 93612-A03-010 | Cap, pipe | CF32-1 1/4PA6 | 2 |
| 21 | 91700-10140-14G | Hex Washer Face Bolt | M10x140 | 1 |
| 22 | 91700-10048-14G | Hex Washer Face Bolt | M10x48 | 1 |
| 23 | 91700-08020-12G | Hex Washer Face Bolt | M8x20 | 4 |
| 24 | 71237-A12-000 | Id Plate | | 1 |
| 25 | 91835-A01-000 | Pulling Nail | 3.1x11 | 2 |
| 26 | 71212-A12-000 | Frame Plate | | 1 |
| 27 | 91821-A01-000 | Hex Washer Ladder Bolt | M6*P1.0*15L(牙長11) | 4 |
| 28 | 93150-0611 | Washer | 内徑6,外徑11 | 1 |
| 29 | 71203-12-000 | Plate,Mount | | 1 |

[BACK](#)

F-3 後叉

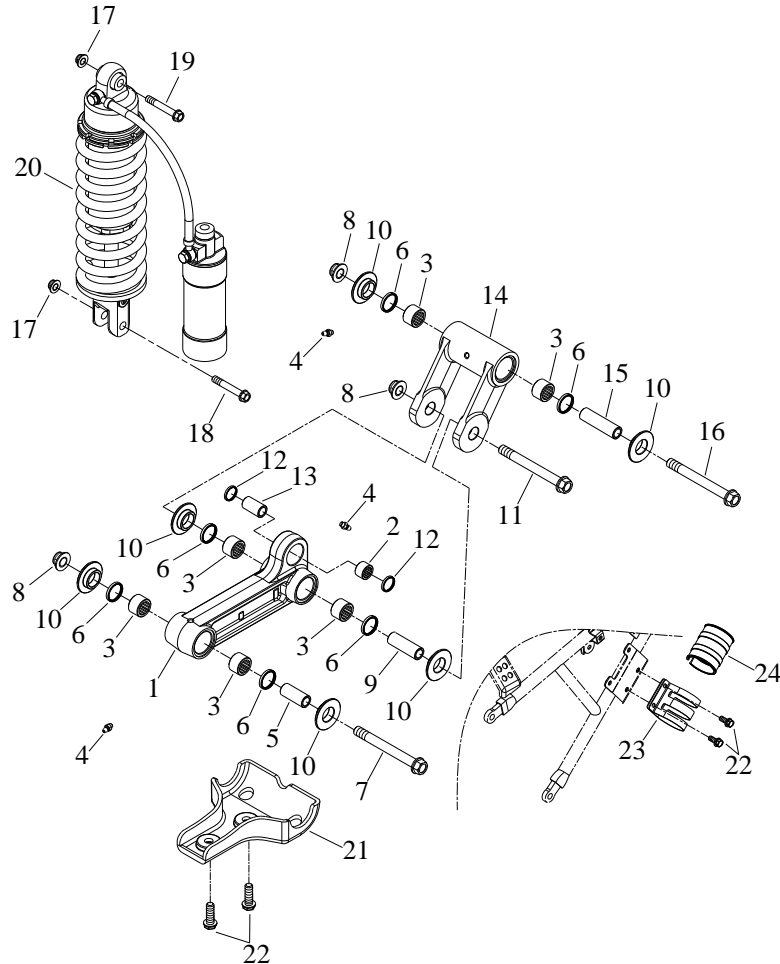


F-3 SWING ARM

| Item | Part No. | | Spec | Q'ty |
|------|-------------------------------|---------------------------------|-------------------|------|
| 1 | 82105-A12-000 | Fork, Rear | | 1 |
| 2 | 95200-HKH223030 | Bearing, Needle | HKH223030 | 3 |
| 3 | 93305-2230-15 | Spacer | 22.2*30*15 | 1 |
| 4 | 96100-223008 | Seal, Oil | 22*30*8 | 4 |
| 5 | 93316-A12-000 | Spacer | | 1 |
| 6 | 93316-A12-010 | Spacer | | 1 |
| 7 | P93107-14235-10 | Washer, Plate(SK5) | 14.2*35*1 | 2 |
| 8 | 93609-A03-000 | Cover,Pivot Dust | 18.1*34.2*6.2 | 2 |
| 9 | P91700-12120-14W | Hex Washer Face Bolt | M12*120 | 2 |
| 10 | P91700-12110-14W | Hex Washer Face Bolt | M12*110 | 2 |
| 11 | 23216-A03-000 | Washer,Axle Housing Set(Front) | | 1 |
| 12 | 23216-A03-010 | Washer, Axle Housing Set (Rear) | | 1 |
| 13 | P91000-12075 | Bolt, Stud | M12*75 | 1 |
| 14 | 93406-STW20 | Cir Clip | STW20 | 1 |
| 15 | P93100-20028-10W | Washer, Plate | 20*28*1 | 1 |
| 16 | 82110-A03-100 | Plate, Chain Adjuster | | 1 |
| 17 | 92205-A03-000 | Nut,Chain Adjuster | | 1 |
| 18 | P91700-14312-19G | Hex Washer Face Bolt | M14*312 | 1 |
| 19 | 92130-14S-19G | Nut, Insert Lock | M14 | 1 |
| 20 | 23325-A03-000 | Buffer, Chain Touch Defense | | 1 |
| 21 | P91750-06014-10G | Hex. Bolt, Flange, Washer | M6x14 | 3 |
| 22 | 71225-A12-000 | Guard Set,Swenging Arm Under | | 1 |
| 23 | P91901-100190-10 | Hex Washer Ladder Bolt | | 5 |
| 24 | P93100-12530-30W | Washer,Plate | 12.5*30*3 | 2 |
| 25 | 23250-A12-000 | Sensor, clip | | 1 |
| 26 | 83115-A03-000 | Clip, Brake Hose | | 2 |
| 27 | 91700-06012-10G | Hex Washer Face Bolt | M6x12 | 2 |
| 28 | 83140-A12-000 | Bracket, Chain Guide | | 1 |
| 29 | 23326-A03-000 | Buffer, Chain Touch Defense | | 1 |
| 30 | 91820-A01-000 | Bolt, Hex Ladder(Long) | M6*P1.0*17L(牙長11) | 2 |
| 31 | 91700-08016-12G | Hex Washer Face Bolt | M8x16 | 1 |
| 32 | P93100-14530-30G | Washer,Plate | 14.5*30*3 | 1 |

[BACK](#)

F-4 後避震器連桿組

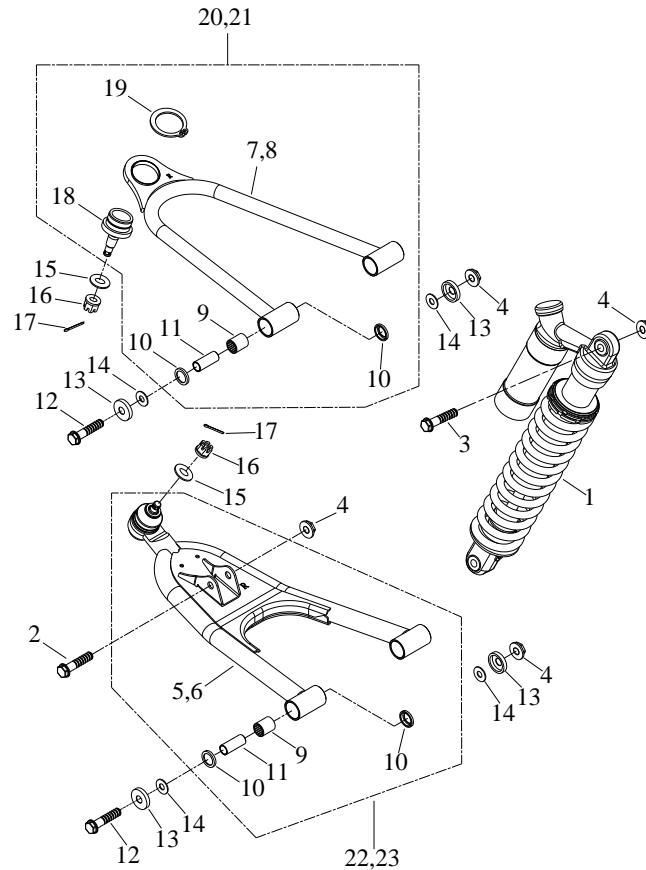


F-4 REAR SHOCK

| Item | Part No. | | Spec | Q'ty |
|------|------------------|---------------------------|------------|------|
| 1 | 82300-A03-000 | Shock Link, Rear | | 1 |
| 2 | 95200-HKS202612 | Bearing, Needle | HKS-202612 | 1 |
| 3 | 95200-HKH202715 | Bearing, Needle | HKH202715 | 6 |
| 4 | 91805-A01-000 | Grease Valve | M6(短)牙長4.2 | 3 |
| 5 | 93300-1520-31A | Spacer | 15*20*31 | 1 |
| 6 | 96100-202705 | Seal, Oil | (20*27*5) | 6 |
| 7 | 91832-A03-000 | Bolt,Lever | M12*92 | 1 |
| 8 | 92130-12S-17G | Nut, Insert Lock | M12 | 3 |
| 9 | 93300-1520-44A | Spacer | 15*20*44 | 1 |
| 10 | 95300-A03-000 | Spacer,Cushion Lever Side | | 6 |
| 11 | 91832-A03-010 | Bolt,Lever | (M12x95) | 1 |
| 12 | 96100-202604 | Seal, Oil | (20*26*4) | 2 |
| 13 | 93300-1020-22A | Spacer | (10*20*22) | 1 |
| 14 | 82310-A03-000 | Housing, Shock Link, Rear | | 1 |
| 15 | 93300-1520-72A | Spacer | (15*20*72) | 1 |
| 16 | 91832-A03-020 | Bolt,Lever | M12x133 | 1 |
| 17 | 92130-10S-14G | Nut, Insert Lock | M10 | 2 |
| 18 | 91700-10048-14G | Hex Washer Face Bolt | M10x48 | 1 |
| 19 | P91700-10060-14G | Hex Washer Face Bolt | M10*60 | 1 |
| 20 | 82200-A12-000 | Shock Absorber, Rear | | 1 |
| 21 | 71221-A03-000 | Guard, Shock Link | | 1 |
| 22 | 91700-06012-10G | Hex Washer Face Bolt | M6x12 | 4 |
| 23 | 83144-A03-000 | | | 1 |
| 24 | 93511-A03-000 | Rubber | | 1 |

[BACK](#)

F-5 前避震器/A臂

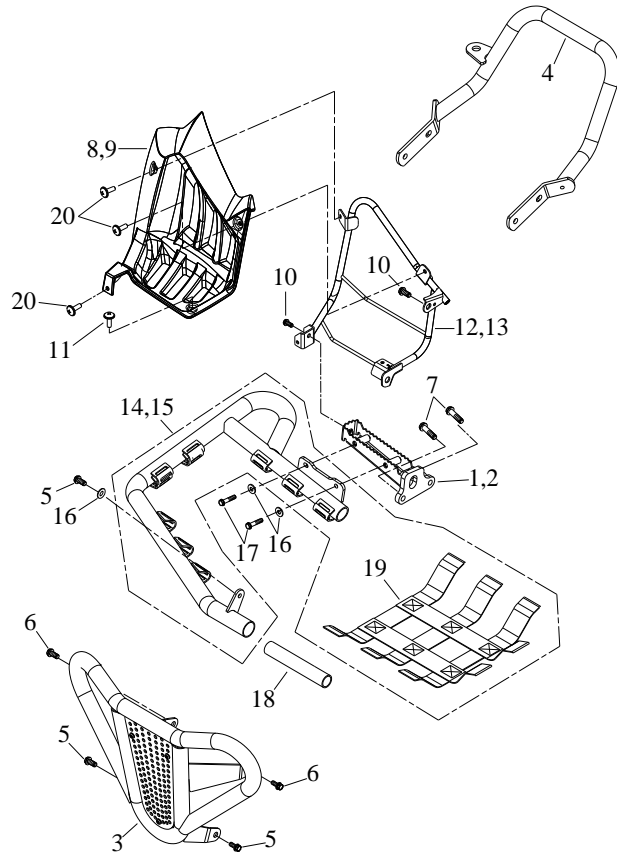


F-5 FRONT SHOCKS

| Item | Part No. | | Spec | Q'ty |
|------|------------------|----------------------------|---------------|------|
| 1 | 81200-A12-000 | Shock Absorber, Front | | 2 |
| 2 | 91700-10048-14G | Hex Washer Face Bolt | M10x48 | 2 |
| 3 | 91700-10040-14G | Hex Washer Face Bolt | M10x40 | 2 |
| 4 | 92130-10S-14G | Nut, Insert Lock | M10 | 12 |
| 5 | 81111-A03-100 | A Arm, Lower, Right | Silver | 1 |
| 6 | 81106-A03-100 | A. Arm, Lower, Left | Silver | 1 |
| 7 | 81110-A03-101 | A Arm, Upper, Right | Silver | 1 |
| 8 | 81105-A03-101 | A. Arm, Upper, Left | Silver | 1 |
| 9 | 95200-HKH172425 | Bearing, Needle | HKH172425 | 8 |
| 10 | 96100-172403 | Seal, Oil | 17*24*3 | 16 |
| 11 | 93300-1017-51 | Spacer | (10*17*51) | 8 |
| 12 | P91700-10074-14G | Hex Washer Face Bolt | M10*74 | 8 |
| 13 | 93609-A03-010 | Cover,Pivot Dust | (28.6*35*6) | 16 |
| 14 | P93107-10228-10 | Washer, Plate(SK5) | 10.2*27.6*1.0 | 16 |
| 15 | P93100-10517-26G | Washer, Plate | (10.5*17*2.6) | 4 |
| 16 | P92140-10-14G | Cross Thread Nut | (M10) | 4 |
| 17 | 94000-02525 | Cotter Pin | 2.5x25 | 4 |
| 18 | 52316-A03-000 | Ball Joint | | 2 |
| 19 | 93406-STW34 | Cir Clip | STW-34 | 2 |
| 20 | 81010-A03-001 | A Arm A'ssy, Upper, Right | Silver | 1 |
| 21 | 81000-A03-001 | A. Arm A'ssy , Upper, Left | Silver | 1 |
| 22 | 81015-A03-000 | A Arm A'ssy, Lower, Right | Silver | 1 |
| 23 | 81005-A03-000 | A. Arm A'ssy, Lower, Left | Silver | 1 |

[BACK](#)

F-6 腳踏板/前保桿/後握把

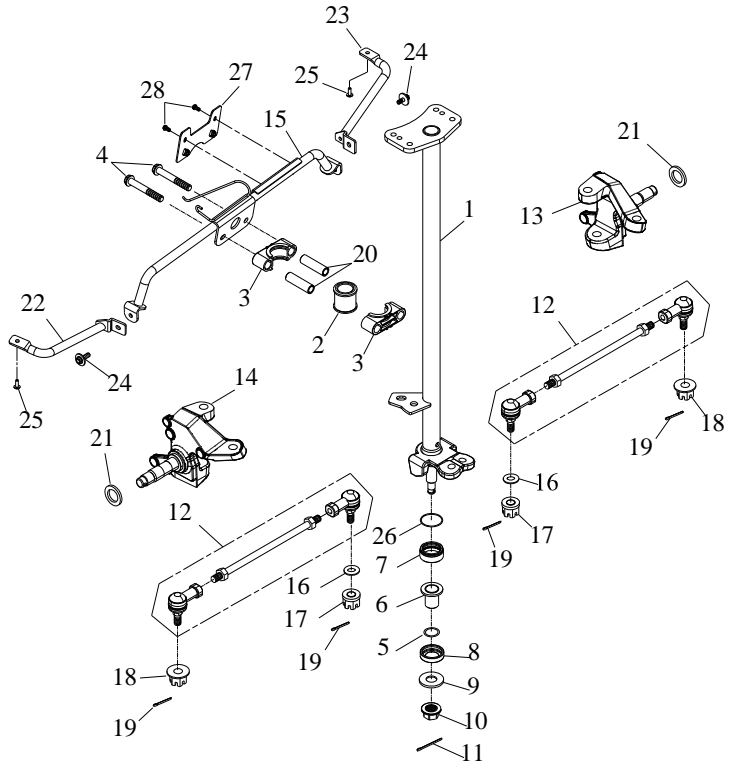


F-6 FOOTREST / FRONT BUMPER/ REAR HAND GRIP

[BACK](#)

| Item | Part No. | | | Q'ty |
|------|---------------------------------|--------------------------|------------|------|
| 1 | 72305-A12-000 | Footrest , Right | ED | 1 |
| 2 | 72310-A12-000 | Footrest,Left | ED | 1 |
| 3 | 71211-P300-000 | Front Bumper | | 1 |
| 4 | 71235-A03-000 | Rear Hand Grip | | 1 |
| 5 | 91700-08020-12G | Hex Washer Face Bolt | M8x20 | 4 |
| 6 | P91750-06014-10G | Hex. Bolt,Flange, Washer | M6x14 | 2 |
| 7 | 91710-10028-14G | Hex Washer Face Bolt | M10*28 | 4 |
| 8 | 72220-A07-000 | L. Footrest | | 1 |
| 9 | 72215-A07-000 | R. Footrest | | 1 |
| 10 | 91700-08016-12G | Hex Washer Face Bolt | | 4 |
| 11 | P91731-06018S | Screw, Cross | | 2 |
| 12 | 72320-A07-000 | Holder, R. Footrest | | 1 |
| 13 | 72325-A07-000 | Holder, L. Footrest | | 1 |
| 14 | 72340-A12-000 | Nerfbar , Right | 含護網 | 1 |
| 15 | 72350-A12-000 | Nerfbar , Left | 含護網 | 1 |
| 16 | P93100-08522-20G | Washer,Plate | 8.5x22x2.0 | 6 |
| 17 | 91710-08035-12G | Hex Washer Face Bolt | M8x35 | 4 |
| 18 | 71218-A12-000 | Support Tube, Nerfbar | 鐵 | 1 |
| 19 | 72312-A12-000 | Nylon Net, Nerfbar | | 2 |
| 20 | P91731-06012S | Screw, Cross | | 6 |

F-7 轉向桿/仰角/拉桿

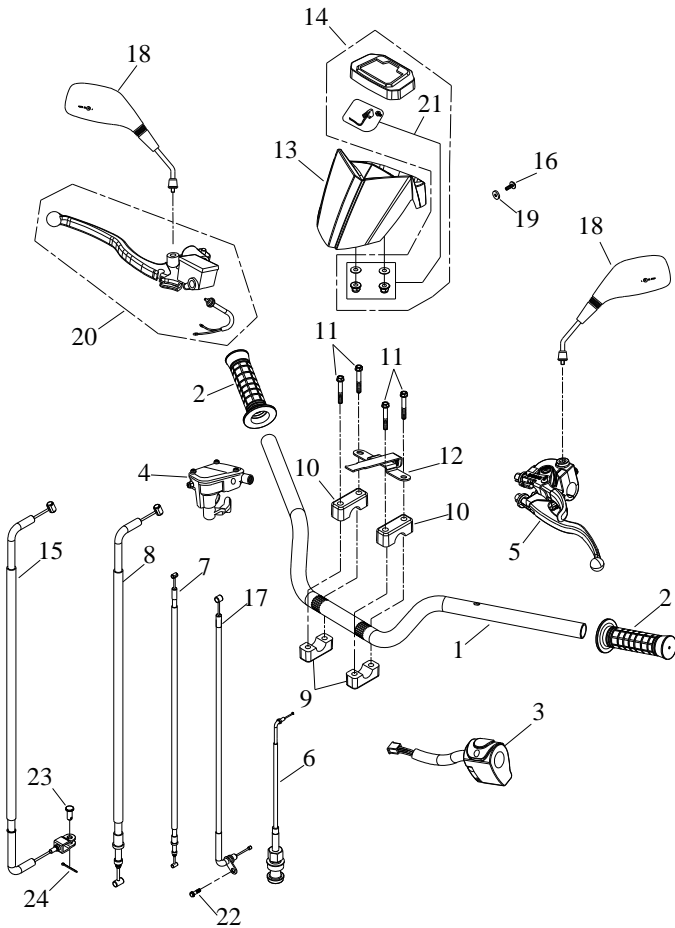


F-7 STEERING, SHAFT, LINK

| Item | Part No. | | Spec | Q'ty |
|------|------------------|-------------------------------|------------------|------|
| 1 | 52205-A03-000 | Steering Shaft A'ssy | | 1 |
| 2 | 93510-A03-000 | Bush, PU | | 1 |
| 3 | 52120-A03-000 | Shaft Holder, Steering | | 2 |
| 4 | P91700-08065-12G | Hex Washer Face Bolt | M8*65 | 2 |
| 5 | 96200-168031 | O-Ring | 16.8*3.1 | 1 |
| 6 | 93317-A03-000 | Bush,Steering Shaft | | 1 |
| 7 | 93610-A03-000 | Dustproof Rubber | | 1 |
| 8 | 93609-A01-100 | Cover,Pivot Dust | KC3Y 31.8x38.5x7 | 1 |
| 9 | P93100-12232-23G | Washer,Plate | 12.2*32*2.3 | 1 |
| 10 | 92130-12S-17G | Nut, Insert Lock | M12 | 1 |
| 11 | 94000-03032 | Cotter pin | 3.2x32 | 1 |
| 12 | 52300-A03-000 | Link Ass'y | | 2 |
| 13 | 52325-A03-000 | Knuckle, R. | | 1 |
| 14 | 52320-A03-000 | Knuckle, L. | | 1 |
| 15 | 71250-A03-000 | Support | | 1 |
| 16 | P93100-10517-26G | Washer,Plate | 10.5*17*2.6 | 2 |
| 17 | P92140-10-14G | Cross Thread Nut | M10 | 2 |
| 18 | 92141-10-14G | Cross Thread Nut | M10 | 2 |
| 19 | 94000-02525 | Cotter pin | 2.5x25 | 4 |
| 20 | 93300-0814-47A | Spacer | 8.5*14.2*47.5 | 2 |
| 21 | P93107-21228-10 | Washer , Plate(SK5) | 21.2*28*1 | 2 |
| 22 | 71256-A03-000 | Signal Light Support,Front L. | | 1 |
| 23 | 71258-A03-000 | Signal Light Support,Front R. | | 1 |
| 24 | P91750-06020-10G | Hex. Bolt,Flange, Washer | M6x20 | 2 |
| 25 | P91825-05016 | Screw, Tapping | M5x16 | 2 |
| 26 | 97413-A03-000 | Clip | 黑色 | 1 |
| 27 | 83121-A12-000 | Plate, CDI | | 1 |
| 28 | P91710-05010-08B | Hex Washer Face Bolt | M5*10 | 2 |

[BACK](#)

F-8 手把/拉桿/開關組合

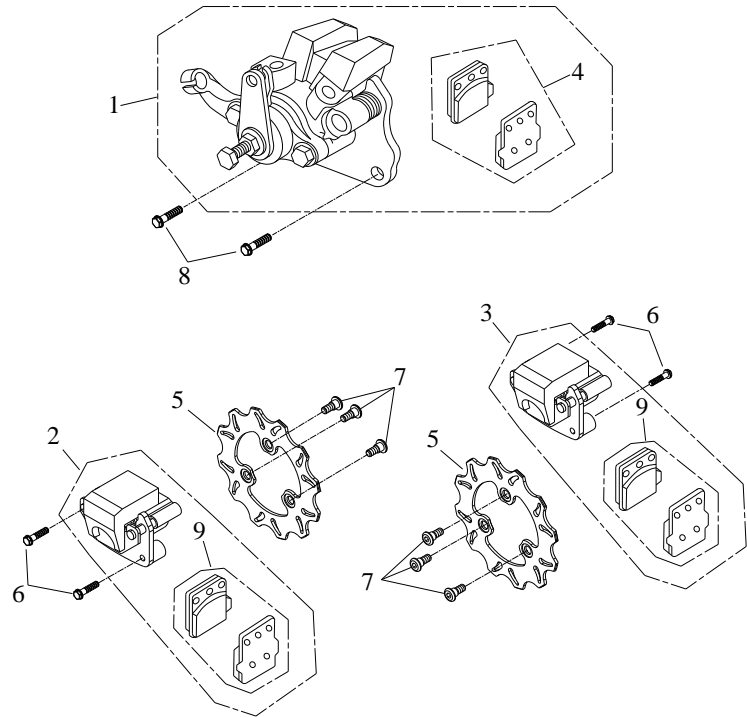


F-8 HANDLE BAR

| Item | Part No. | | Spec | Q'ty |
|------|--------------------------------|-------------------------|---------------|------|
| 1 | 51100-A03-001-SI | Handlebar | 銀色 | 1 |
| 2 | 51105-A03-000 | Grip, Handle | 內管徑:20mm | 2 |
| 3 | 61101-A12-000 | Handle Switch Ass'y, L. | (含倒檔座) | 1 |
| 4 | 31410-A03-000 | Bottom Clamp,Throttle | KTL-501-R | 1 |
| 5 | 31405-A12-000 | Lever Ass'y, Left | | 1 |
| 6 | 31220-A12-000 | Cable, Manual Choke | | 1 |
| 7 | 31215-A12-000 | Cable, Throttle | | 1 |
| 8 | 31210-A12-000 | Parking Cable | | 1 |
| 9 | 52105-A03-000 | Bottom Clamp, Handlebar | | 2 |
| 10 | 52110-A03-000 | Top Clamp, Handlebar | | 2 |
| 11 | P91700-08065-12G | Hex Washer Face Bolt | M8*65 | 4 |
| 12 | 71320-A03-000 | Support, Meter fender | | 1 |
| 13 | 72200-A03-00A | Meter fender | Red | 1 |
| 14 | 63300-A12-000 | Speedometer Ass'y | | 1 |
| 15 | 31235-A12-000 | Cable, Clutch | | 1 |
| 16 | P91731-06012S | Screw,Cross | M6*12 | 1 |
| 17 | 31230-A12-000 | Cable, Reverse | | 1 |
| 18 | 51115-A03-000 | Rear Mirror(pair) | | 1 |
| 19 | 93104-06014-08 | Washer, Nylon | 6.0x14x0.8t | 1 |
| 20 | 31460-A03-000 | Lever Ass'y, Right | 含后視鏡孔座/12.7mm | 1 |
| 21 | 63302-A03-000 | Sensor Kit | | 1 |
| 22 | P91710-05010-08B | Hex Washer Face Bolt | M5x10 | 1 |
| 23 | 94005-06015 | Pin | 6x15 | 1 |
| 24 | 94000-01620 | Cotter pin | 1.6x19 | 1 |

[BACK](#)

F-9 煞車

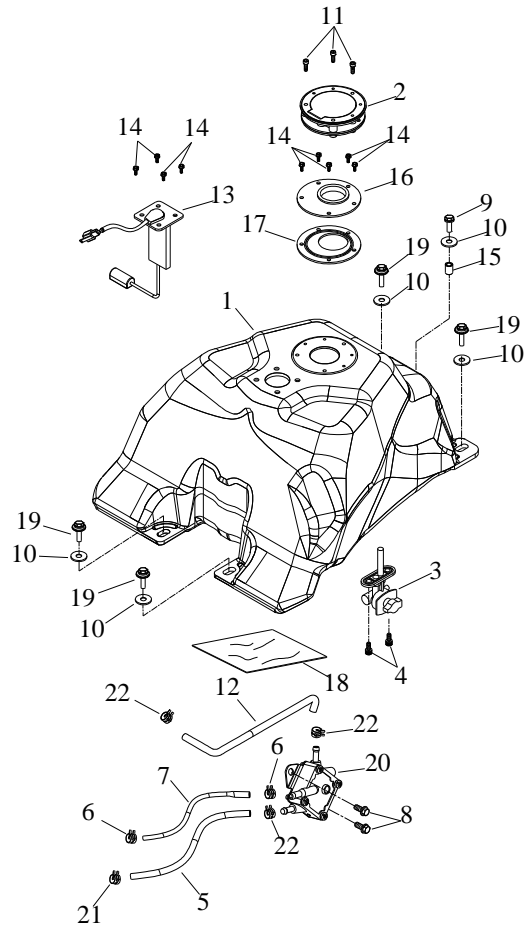


F-9 BRAKE

| Item | Part No. | | Spec | Q'ty |
|------|-------------------------------|----------------------------|---------|-------------------|
| 1 | 31360-A12-000 | Caliper Ass'y, Rear | | 1 |
| 2 | 31335-A03-000 | Caliper Ass'y, Front Right | | 1 |
| 3 | 31336-A03-000 | Caliper Ass'y, Front Left | | 1 |
| 4 | 31337-A03-001 | Brake Pad , Disk Brake | TFT-101 | 1 |
| 5 | 31305-A12-000 | Brake Disc,Front | | 2 |
| 6 | P91710-08018-12G | Hex Washer Face Bolt | M8x18 | 4 |
| 7 | 91831-A03-000 | Bolt, Brake Disc | BL | 6 |
| 8 | P91710-10022-14G | Hex Washer Face Bolt | M10x22 | 2 |
| 9 | 31337-A03-000 | Brake Pad , Disk Brake | BC-820 | 2 |

[BACK](#)

F-10 油箱組合

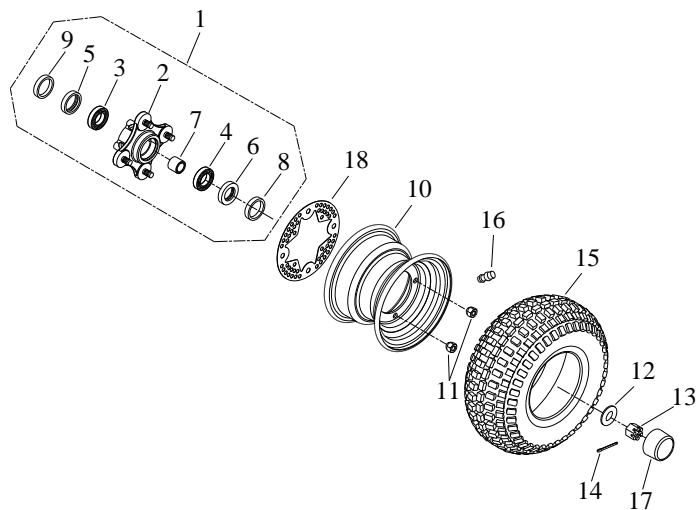


F-10 FUEL TANK

| Item | Part No. | | Spec | Q'ty |
|------|-------------------------------|--------------------------|-----------------|------|
| 1 | 12100-A12-000 | Tank, Fuel | | 1 |
| 2 | 12150-A03-000 | Cap Ass'y, Fuel Tank | | 1 |
| 3 | 12105-A12-000 | Valve, Fuel | | 1 |
| 4 | P91760-06016-05W | Hex. Socket Bolt | (M6x16) | 2 |
| 5 | 12310-A12-000 | Tube, Fuel | 耐臭氧-6*10.5*530 | 1 |
| 6 | 97411-095-08 | Clip | 孔徑9.5~12 | 2 |
| 7 | 12313-A12-000 | Vacuum Tube,Fuel | 耐臭氧-4.5*8.5*325 | 1 |
| 8 | 91700-06012-10G | Hex Washer Face Bolt | (M6x12) | 2 |
| 9 | 91700-06016-10G | Hex Washer Face Bolt | (M6x16) | 1 |
| 10 | P93100-06524-16G | Washer , Plate | 6.5*24*1.6 | 5 |
| 11 | P91760-05028-04W | Hex. Socket Bolt | M5*P0.8*28L | 3 |
| 12 | 12310-A12-011 | Tube, Fuel | | 1 |
| 13 | 12115-A03-000 | Gauge, Fuel Tank | | 1 |
| 14 | P91710-05010-08B | Hex Washer Face Bolt | M5*10 | 9 |
| 15 | 93300-0610-10 | Spacer | 6.2*10*10 | 1 |
| 16 | 12101-A03-000 | Feul Cap, Carrier | | 1 |
| 17 | 93502-A03-001 | Rubber Washer, Feul Cap | | 1 |
| 18 | 72125-A01-000 | Heat Cushion (Front) | 130X180X5t | 1 |
| 19 | P91750-06020-10G | Hex. Bolt,Flange, Washer | M6x20 | 4 |
| 20 | 12106-A12-000 | Pump Ass'y, Fuel | | 1 |
| 21 | 97411-106-08 | Clip | 孔徑10.6~13 | 1 |
| 22 | 97411-100-08 | Clip | 孔徑10~12.2 | 3 |

[BACK](#)

F-11 前輪



F-11 FRONT WHEEL

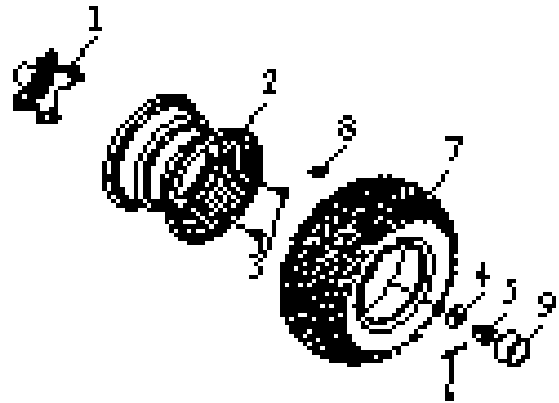
| Item | Part No. | Spec | Q'ty |
|------|-----------------|--------------------------------|------|
| 1 | 23100-A03-100 | Fixed Bracket, Wheel Hub,Front | 2 |
| 2 | 23100-A03-100-1 | Fixed Bracket, Wheel Hub,Front | 2 |
| 3 | 95100-6202LU | Bearing, Ball | 2 |
| 4 | 95100-6004LLU | Bearing, Ball | 2 |
| 5 | 96100-284508 | Seal, Oil | 2 |
| 6 | 96100-203507 | Seal, Oil | 2 |
| 7 | 93325-A03-000 | Spacer, Inner | 2 |
| 8 | 93300-1520-10 | Spacer | 2 |
| 9 | 93300-2128-07 | Spacer | 2 |
| 10 | 24205-A03-310 | Wheel Rim,Front | 2 |
| 11 | 24190-A01-000 | Tire Nut | 8 |
| 12 | 93100-14540-45G | Washer, Plate | 2 |
| 13 | P92140-14-21G | Cross Thread Nut | 2 |
| 14 | 94000-03032 | Cotter pin | 2 |
| 15 | 24110-A03-030 | Tire,Front | 2 |
| 16 | 24106-A01-010 | Valve, Tire | 2 |
| 17 | 93615-A01-000 | Cap, Rubber | 2 |
| 18 | 31307-A03-000 | Cover, Brake Disc | 2 |

[BACK](#)

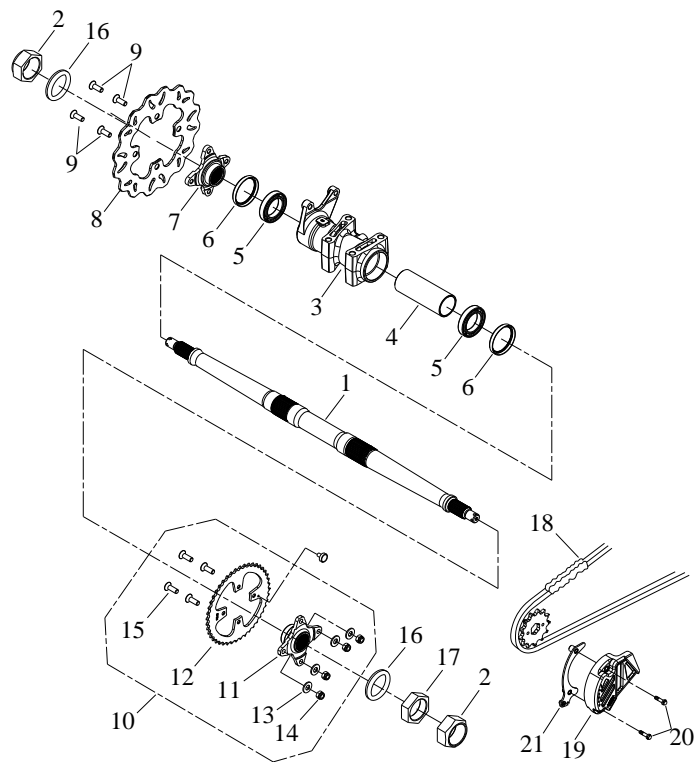
F-12 REAR WHEEL

[BACK](#)

| Item | Part No. | | Spec | Q'ty |
|------|------------------|--------------------------|------------------|------|
| 1 | 23105-A03-000 | Fixed Bracket, Rim, Rear | | 2 |
| 2 | 24206-A03-310 | Wheel Rim,Rear | 9*8 | 2 |
| 3 | 24190-A01-000 | Tire Nut | | 8 |
| 4 | P93100-18240-50G | Washer , Plate | 18.2*40*5 | 2 |
| 5 | P92140-18-27G | Cross Thread Nut | M18 | 2 |
| 6 | P94000-04046 | Cotter pin | 4*46 | 2 |
| 7 | 24115-A03-040 | Tire, Rear | (K533) AT20*11-9 | 2 |
| 8 | 24106-A01-010 | Valve, Tire | | 2 |
| 9 | 93615-A01-000 | Cap, Rubber | PK-6142 | 2 |



F-13 後輪軸固定座

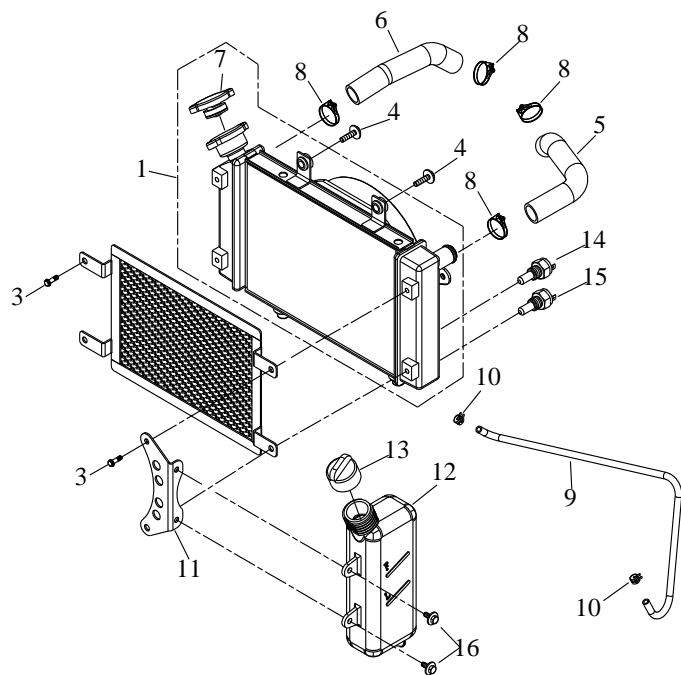


F-13 REAR AXLE ASS'Y

| Item | Part No. | Spec | Q'ty |
|------|------------------|---------------------------|------|
| 1 | 23205-A12-000 | Wheel Axle,Rear | 1 |
| 2 | 92112-38-46W | Hex. Acorn Nut | 2 |
| 3 | 23215-A12-000 | Rear Axle Bearing Carrier | 1 |
| 4 | 93330-A03-100 | Spacer,Rear Axle Bearing | 1 |
| 5 | 95100-6008NKE | Bearing,Ball | 2 |
| 6 | 96100-506808 | Seal,Oil | 2 |
| 7 | 31355-A03-000 | Disc Connector | 1 |
| 8 | 31350-A12-000 | Disc Plate | 1 |
| 9 | P91734-10020-06G | Bolt | 4 |
| 10 | 23300-A12-000 | Sprocket Ass'y(Rear) | 1 |
| 11 | 23310-A03-000 | Sprocket Holder, Driven | 1 |
| 12 | 23305-A12-000 | Sprocker | 1 |
| 13 | P93100-10022-20C | Washer, Plate | 4 |
| 14 | P92130-10N-17G | Nut, Insert Lock | 4 |
| 15 | 91733-10030-06G | Bolt | 4 |
| 16 | P93106-38550-30G | Washer,Disc | 2 |
| 17 | 92110-38-46W | Hex. Acorn Nut | 1 |
| 18 | 23315-NP520S-098 | Chain | 1 |
| 19 | 71222-A12-000 | Guard, Chain | 1 |
| 20 | P91700-06042-10G | Hex.Washer Face Bolt | 2 |
| 21 | 23322-A12-000 | Guard, Chain | 1 |

[BACK](#)

F-14 水箱組合

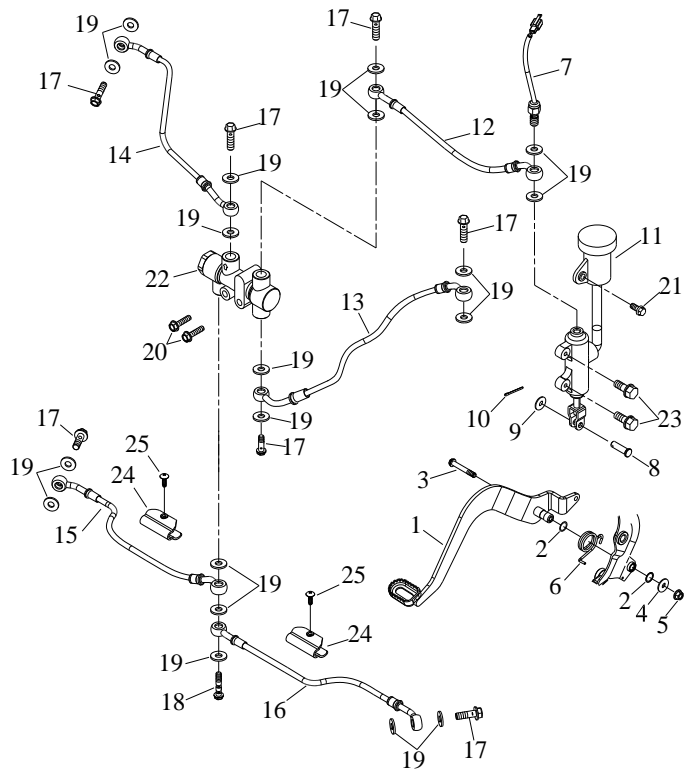


F-14 RADIATOR

| Item | Part No. | | Spec | Q'ty |
|------|------------------|---------------------------|-----------|------|
| 1 | 15230-A12-000 | Radiator Assembly | | 1 |
| 2 | 15236-A12-000 | Mesh, Radiator | | 1 |
| 3 | 91700-06016-10G | Hex Washer Face Bolt | M6x16 | 2 |
| 4 | P91750-06025-10G | Hex. Bolt, Flange, Washer | M6X25 | 2 |
| 5 | 15233-A12-000 | Hose , Liquid | | 1 |
| 6 | 15233-A12-010 | Hose , Liquid | | 1 |
| 7 | 15232-A01-000 | Cap, Radiator | | 1 |
| 8 | 97411-260-12 | Clip | 孔徑26~32 | 4 |
| 9 | 15107-A12-001 | Hose, Aux Liquid Bottle | | 1 |
| 10 | 97411-106-08 | Clip | 孔徑10.6~13 | 2 |
| 11 | 71310-A03-000 | Aux. Liquid Bottle Holder | | 1 |
| 12 | 15105-A03-000 | Aux. Liquid Bottle | | 1 |
| 13 | 12205-A01-101 | Cap, Oil Tank | | 1 |
| 14 | 15240-E12-000 | Sensor, Temperature | | 1 |
| 15 | 15250-E12-000 | Fan Switch | | 1 |
| 16 | P91750-06014-10G | Hex. Bolt, Flange, Washer | M6*14 | 2 |

[BACK](#)

F-15 煞車油管

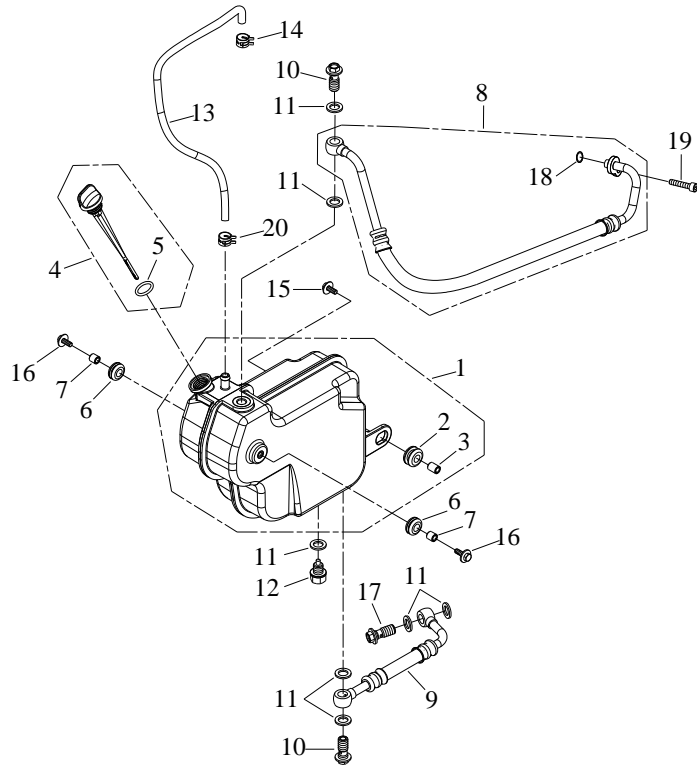


F-15 BRAKE OIL TUBE

| Item | Part No. | | Spec | Q'ty |
|------|-------------------------------|--------------------------------|-------------|------|
| 1 | 31408-A12-100 | Swing Arm, Footbrake | | 1 |
| 2 | 96200-138024 | O-Ring | 13.8*2.4 | 2 |
| 3 | P91700-06057-10G | Hex Washer Face Bolt | M6x57 | 1 |
| 4 | P93100-06524-16G | Washer, Plate | 6.5*24*1.6 | 1 |
| 5 | 92130-06S-10G | Nut, Insert Lock | M6 | 1 |
| 6 | 97271-A12-000 | Return Spring | | 1 |
| 7 | 61205-A12-000 | Switch, Footbrake | | 1 |
| 8 | P94005-07021 | Pin | 7x21 | 1 |
| 9 | P93100-07013-10W | Washer, Plain | 7x13x1.0 | 1 |
| 10 | 94000-01620 | Cotter pin | 1.6x19 | 1 |
| 11 | 31406-A08-000 | Hydraulic Pump, Footbrake | | 1 |
| 12 | 31228-A12-100 | Hose, Footbrake Hydraulic Pump | 鐵氟龍管 | 1 |
| 13 | 31225-A12-100 | Hose, Rear Disk Brake | 鐵氟龍管 | 1 |
| 14 | 31229-A03-110 | Hose, Hand Brake | 鐵氟龍管 | 1 |
| 15 | 31227-A03-111 | Hose, Front Brake R. | 鐵氟龍管 | 1 |
| 16 | 31226-A03-111 | Hose, Front Brake L. | 鐵氟龍管 | 1 |
| 17 | 91830-A01-000 | Bolt, Brake Hose | | 7 |
| 18 | 91830-A03-000 | Bolt, Brake Hose | | 1 |
| 19 | P93101-10515-12 | Washer, Copper | 10.5x15x1.2 | 19 |
| 20 | 91700-06016-10G | Hex Washer Face Bolt | M6x16 | 2 |
| 21 | 91700-06012-10G | Hex Washer Face Bolt | M6x12 | 1 |
| 22 | 31403-A03-000 | Brake Oil Valve | | 1 |
| 23 | 91700-08016-12G | Hex Washer Face Bolt | M8x16 | 2 |
| 24 | 83115-A03-010 | Clip, Brake Hose | | 2 |
| 25 | P91825-05016 | Screw, Tapping | M5x16 | 2 |

[BACK](#)

F-16 機油箱

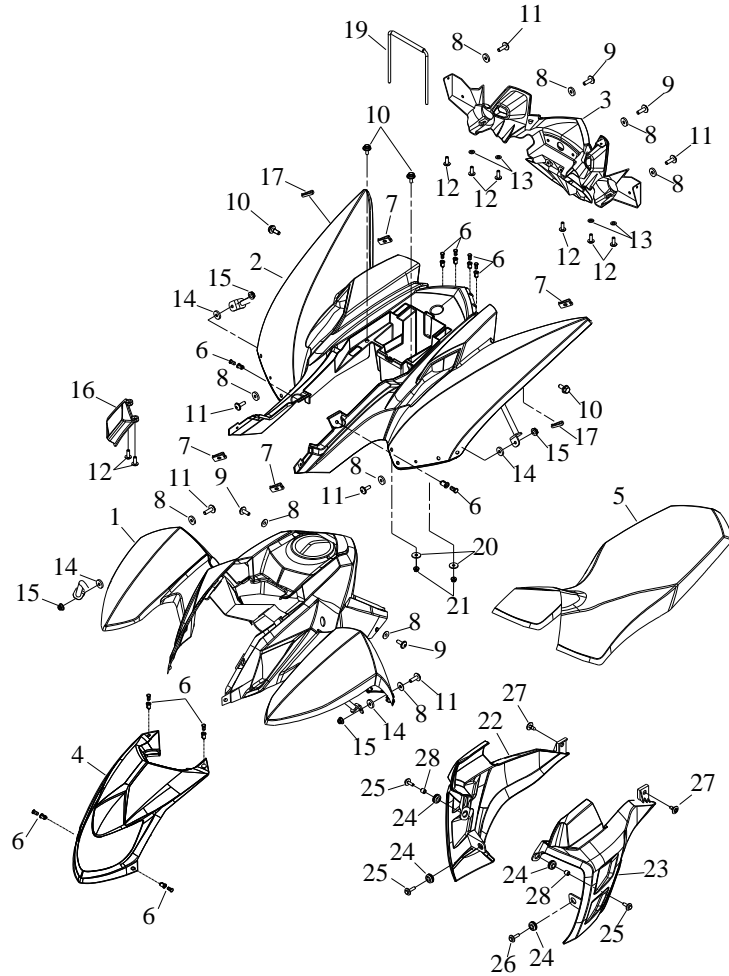


F-16 Oil Tank

| Item | Part No. | | Spec | Q'ty |
|------|------------------|---------------------------|--------------|------|
| 1 | 15400-A12-000 | Oil Tank Ass'y | | 1 |
| 2 | 93509-A12-000 | Rubber, Oil Tank | | 1 |
| 3 | 93300-0610-13 | Spacer | | 1 |
| 4 | 15550-A12-000 | Oil Level Gauge | | 1 |
| 5 | 96200-180030 | O Ring | 18.0x3.0 | 1 |
| 6 | 93509-A12-010 | Rubber, Oil Tank | | 2 |
| 7 | 93300-0610-10 | Spacer | | 2 |
| 8 | 15123-A12-000 | Hose, Oil, Upper | | 1 |
| 9 | 15124-A12-000 | Hose, Oil, Lower | | 1 |
| 10 | 91830-A07-000 | Bolt, Brake Hose | M12*28*P1.25 | 2 |
| 11 | P93105-12020-20 | Washer, Plain (AL) | 12.5*20*2.0t | 7 |
| 12 | 91833-E10-001 | Plug, Oil Pan Drain | | 1 |
| 13 | 16315-A12-000 | Hose, Pressure Release | | 1 |
| 14 | 97411-106-08 | Clip | 孔徑10.6-13 | 1 |
| 15 | P91750-06025-10G | Hex. Bolt, Flange, Washer | M6X25 | 1 |
| 16 | P91750-06020-10G | Hex. Bolt, Flange, Washer | M6X20 | 2 |
| 17 | 91830-A12-000 | Bolt, Brake Hose | M12*28*P1.0 | 1 |
| 18 | 96200-097025 | O Ring | | 1 |
| 19 | P91760-06016-05W | Hex. Socket Bolt | | 1 |
| 20 | 97411-A01-000 | Clip | | 1 |

[BACK](#)

F-17 前/後蓋

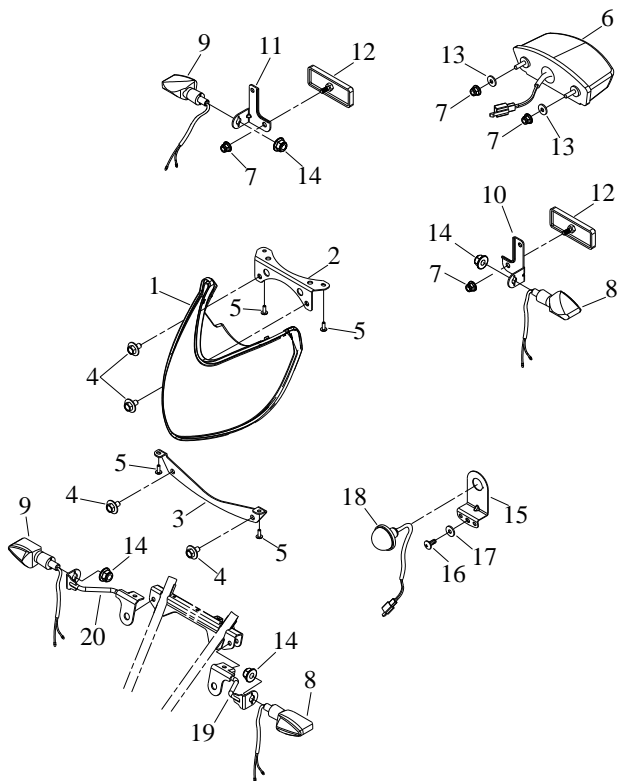


F-17 FRONT/REAR FENDER

[BACK](#)

| Item | Part No. | | Spec | Q'ty |
|------|------------------|--------------------------|---------------|------|
| 1 | 72205-A03-01A | Fender, Front | Red | 1 |
| | 72205-A03-01B | Fender, Front | Yellow | 1 |
| | 72205-A03-01D | Fender, Front | Black | 1 |
| | 72205-A03-010 | Fender, Front | Blue | 1 |
| | 72205-A03-1OG | Fender, Front | Orange | 1 |
| | 72205-A03-01E | Fender, Front | White | 1 |
| | | Fender, Front | Green | 1 |
| | | 72205-A03-1PK | Fender, Front | Pink |
| 2 | 72210-A03-00A | Fender, Rear | Red | 1 |
| | 72210-A03-00B | Fender, Rear | Yellow | 1 |
| | 72210-A03-00D | Fender, Rear | Black | 1 |
| | 72210-A03-000 | Fender, Rear | Blue | 1 |
| | 72210-A03-0OG | Fender, Rear | Orange | 1 |
| | 72210-A03-00E | Fender, Rear | White | 1 |
| | 72210-A03-0GN | Fender, Rear | Green | 1 |
| | | 72210-A03-0PK | Fender, Rear | Pink |
| 3 | 72250-A03-010 | Cover Fender, Rear | | 1 |
| 4 | 72245-A03-1BK | Cover Fender, Front | Black | 1 |
| 5 | 71305-A03-0VT-3 | Seat | 黑色/ACCESS | 1 |
| 6 | 93611-A03-000 | Rivet, Rubber | | 10 |
| 7 | 92210-A01-000 | Nut, U shape(Andoised) | M6 | 4 |
| 8 | 93104-06014-08 | Washer, Nylon | 6.0x14x0.8t | 10 |
| 9 | P91731-06015S | Screw,Cross | M6x15 | 4 |
| 10 | P91900-090025-12 | Hex Washer Ladder Bolt | M6*12.9*2.5 | 4 |
| 11 | P91731-06018S | Screw,Cross | M6x18 | 6 |
| 12 | P91825-04012 | Phillips Screw, Tapping | 4x12 | 8 |
| 13 | P93100-05514-10G | Washer, Plate | 5.5*14*1.0 | 4 |
| 14 | 93502-A01-000 | Washer, Rubber | 20x7x3t | 4 |
| 15 | 92130-06S-10G | Nut, Insert Lock | M6 | 4 |
| 16 | 72255-A07-000 | Gear, Cover | | 1 |
| 17 | 93706-A03-000 | Strap | ALT-200M-B | 2 |
| 18 | 93613-A03-000 | Plastic Plug | 10mm | 14 |
| 19 | 83145-A12-000 | Fixing Braket, Battery | | 1 |
| 20 | P93100-06519-12W | Washer, Plate | 6.5*19*1.2 | 2 |
| 21 | 92130-06S-10G | Nut,Insert Lock | M6 | 2 |
| 22 | 72280-A12-000 | | | 1 |
| 23 | 72285-A12-000 | | | 1 |
| 24 | 93509-A12-010 | Rubber, Oil Tank | | 4 |
| 25 | P91750-06020-10G | Hex. Bolt,Flange, Washer | M6X20 | 3 |
| 26 | P91750-06025-10G | Hex. Bolt,Flange, Washer | M6X25 | 1 |
| 27 | 93611-F33K7A | Rivet,Rubber | | 2 |
| 28 | 93300-0610-10 | Spacer | | 4 |

F-18 前/後燈組

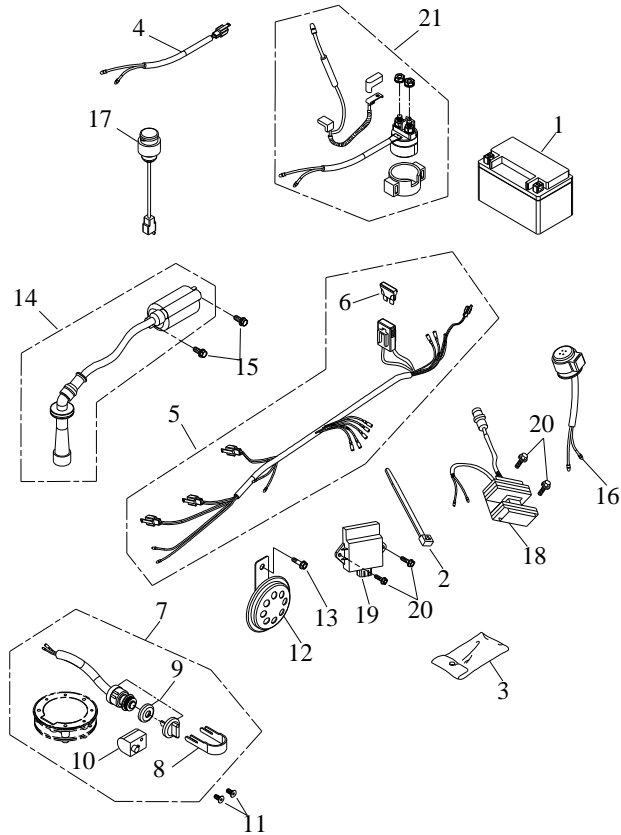


F-18 FRONT/TAIL LIGHT

| Item | Part No. | Spec | Q'ty | |
|------|--------------------------------|-------------------------------|-------------|---|
| 1 | 62205-A03-000 | Head Lamp Comp | 1 | |
| 2 | 62206-A03-000 | Head Lamp Bracket,Upper | 1 | |
| 3 | 62206-A03-010 | Head Lamp Bracket,Lower | 1 | |
| 4 | P91750-05016-08G | Hex. Bolt, Flange, Washer | M5x16 | 4 |
| 5 | P91825-05016 | Screw, Tapping | M5x16 | 4 |
| 6 | 62210-A12-000 | LED | | 1 |
| 7 | 92130-06S-10G | Nut, Insert Lock | M6 | 4 |
| 8 | 62220-A12-000 | Singal Light, L. Front | | 2 |
| 9 | 62215-A12-000 | Signal Light, R Front | | 2 |
| 10 | 71257-A12-000 | Signal Light Support,Rear L. | | 1 |
| 11 | 71259-A12-000 | Signal Light Support,Rear R. | | 1 |
| 12 | 62240-A01-000 | Reflector, Rear | PS50-R | 2 |
| 13 | P93100-06013-01W | Washer, Plate | 6x13x1.0 | 2 |
| 14 | 92120-10-14G | Nut,Hex. Flange | M10 | 4 |
| 15 | 83117-A12-000 | Bracket, Position Light | | 1 |
| 16 | P91731-06012S | Screw,Cross | M6x12 | 1 |
| 17 | 93104-06014-08 | Washer, Nylon | 6.0x14x0.8t | 1 |
| 18 | 62250-A03-000 | Position Light | | 1 |
| 19 | 71256-A12-000 | Signal Light Support,Front L. | | 1 |
| 20 | 71258-A12-000 | Signal Light Support,Front R. | | 1 |

[BACK](#)

F-19 主配線

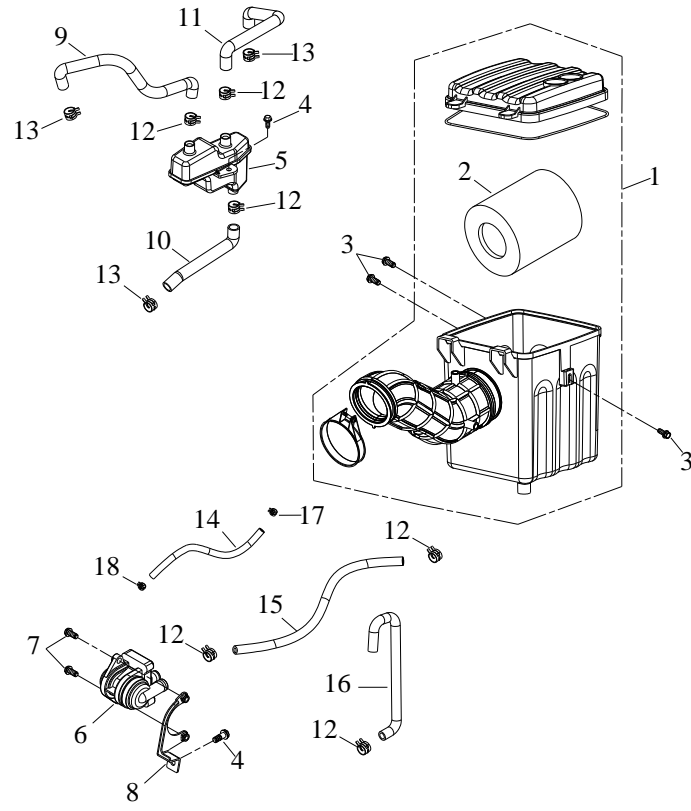


F-19 ELETRONICS

| Item | Part No. | | Spec | Q'ty |
|------|-----------------|---------------------------|-------------------|------|
| 1 | 63205-A03-000 | Battery | GTX12-BS | 1 |
| 2 | 93705-A01-000 | Strap | ALT-200M-B | 25 |
| 3 | 72105-A12-000 | Tool Box | | 1 |
| 4 | 63110-A03-000 | Cable,Position Lamp | | 1 |
| 5 | 63100-A12-000 | Main Wire Ass'y | | 1 |
| 6 | 63120-A03-020 | Fuse, 15A | 15A | 1 |
| 7 | 61106-A03-000 | Main Switch Ass'y | | 1 |
| 8 | 61107-A01-000 | Clip, Main Switch | | 1 |
| 9 | 61105-A03-000 | Lock, Main Switch | | 1 |
| 10 | 61108-A03-000 | Lock, Handle Bar | | 1 |
| 11 | 91732-06012G | Screw,Cross | M6X12 | 2 |
| 12 | 61145-A03-100 | Horn | | 1 |
| 13 | 91700-06012-10G | Hex Washer Face Bolt | M6x12 | 1 |
| 14 | 61109-A12-000 | Ignition Coil Comp | | 1 |
| 15 | 91700-05020-08G | Hex Washer Face Bolt | M5x20 | 2 |
| 16 | 61150-A12-001 | Blink Relay | | 1 |
| 17 | 61230-A03-000 | Power Supplier-12V | 12V/15A(TC-6613W) | 1 |
| 18 | 61120-A12-000 | Rectifier & Regulator | | 1 |
| 19 | 61115-A12-000 | C.D.I Unit | | 1 |
| 20 | 91700-06016-10G | Hex. Bolt, Flange, Washer | M6x16 | 4 |
| 21 | 61130-A03-000 | Starter Relay | 12V,150A | 1 |

[BACK](#)

F-20 空濾器總成



F-20 AIR FILTER ASS'Y

| Item | Part No. | | Spec | Q'ty |
|------|-----------------|-----------------------------|-----------------|------|
| 1 | 17300-E12-000 | Air Cleaner Ass'y | | 1 |
| 2 | 17320-E12-000 | Filter Element, Air Cleaner | | 1 |
| 3 | 91710-06012-10G | Hex Washer Face Bolt | M6x12 | 3 |
| 4 | 91700-06012-10G | Hex Washer Face Bolt | M6x12 | 2 |
| 5 | 16300-E12-001 | Oil Filter, Box | 含海綿 | 1 |
| 6 | 12166-A12-000 | Reed Valve Ass'y, Air | | 1 |
| 7 | 91700-06016-10G | Hex Washer Face Bolt | M6x16 | 2 |
| 8 | 71207-A12-000 | Bracket, Air Valve | | 1 |
| 9 | 16312-A12-000 | Hose, Pressure Release | | 1 |
| 10 | 16313-A12-000 | Hose, Pressure Release | | 1 |
| 11 | 16314-A12-001 | Hose, Pressure Release | | 1 |
| 12 | 97411-178-10 | Clip | 孔徑17.8~ 21.8 | 6 |
| 13 | 97411-162-12 | Clip | 孔徑16.2 | 3 |
| 14 | 12313-A12-010 | Vacuum Tube,Fuel | 耐臭氧-4.5*8.5*535 | 1 |
| 15 | 12168-A12-000 | Hose, Air | 11.5*18.5*400 | 1 |
| 16 | 12168-A12-010 | Hose, Pressure Release | | 1 |
| 17 | 97411-095-08 | Clip | 孔徑9.5~12 | 1 |
| 18 | 97411-078-06 | Clip | 孔徑7.8~9.5 | 1 |

[BACK](#)