



700 BEARCLAW ATV

Maintenance Manual

Catalogue

General Information	5
1 Description.....	5
1.1 Identification code.....	6
1.1.1. Frame No.	6
1.1.2. Engine No.....	7
1.2 Special tools, instruments and meters.....	7
1.3 Periodic maintenance chart.....	9
Engine	11
2. Inspection and adjustment of engine.....	11
2.1 Inspection of cylinder head, intake and exhaust valve.....	11
2.2 Inspection of spark Plug.....	12
2.3 Inspection of cylinder, piston and piston ring.....	14
2.4 Inspection of crankshaft.....	17
2.5 Inspection of clutch.....	18
2.6 Inspection of carburetor.....	18
2.7 Inspection of air filter.....	19
2.8 Inspection of oil filter.....	20
2.9 Inspection of lubrication system.....	20
2.10 Lubrication of engine.....	21
2.11 Inspection of cylinder head.....	21

3. Disassembly of engine.....	27
3.1 Cylinder head and block.....	27
3.2 Piston and connecting rod.....	31
3.3 Manual starting mechanism.....	32
3.4 Sensor.....	32
3.5 Left crankcase cover.....	33
3.6 Magneto.....	33
3.7 Oil pump.....	34
3.8 Clutch.....	35
3.9 Carburetor.....	36
3.9.1 Structure of carburetor.....	36
3.9.2 Inspection and adjustment of carburetor.....	37
4. Chassis	
4.1 Steering operation system.....	39
4.2 Brake system.....	51
4.3 Wheels and tires.....	67
4.4 Transmission system.....	70
4.5 . gearshiftmechanism.....	77
4.6 Suspension.....	79
5. Electrical system.....	84

5.1 Ignition system.....	87
5.2 Magneto and charging system.....	88
5.3 Battery.....	88
5.4 Lighting system.....	90
5.5 Meter and signal system.....	91
5.6 Electrical starting system.....	92
6. Appendix.....	93
6.1 Specification.....	93
6.2 Requirements for torque of fastener.....	99
6.3 Electrical circuits.....	100

General Information

1. Description





1.1 Identification code

1.1.1. Frame No.

The frame No. is engraved in the right bottom of the supporting frame.

See Figure 1-1.

LW6SDYZ067AD80021



Figure 1-1

1.1.2.Engine No.

The engine No. is engraved in the right side of the engine. See figure 1-2

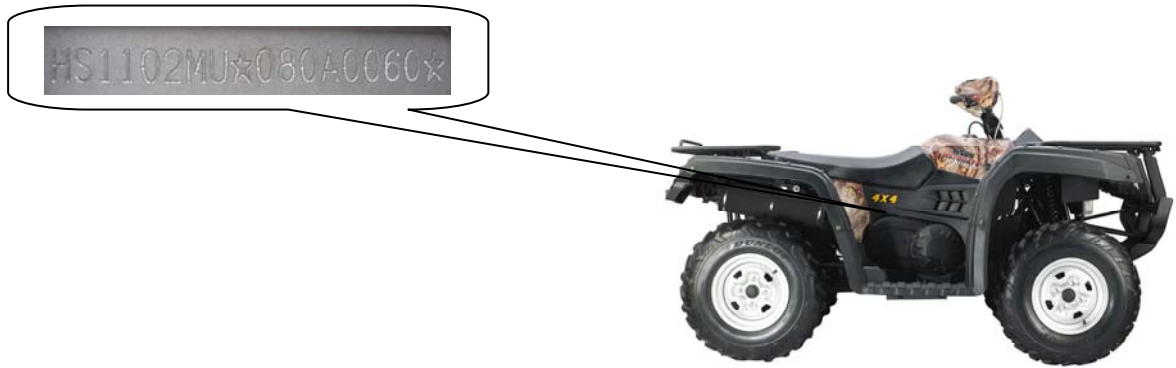


Figure 1-2

1.2 Special tools, instruments and meters

1.2.1 Oil filter detacher

To fasten and detach the oil filter



1.2.2 Height gauge

To gauge the height of various components



1.2.3 Vernier

To measure the length of various components



1.2.4 Outside micrometer



To accurately measure external
diameter of a column

1.2.5 Inside micrometer

To accurately measure internal
diameter of a hole



1.2.6 Dial indicator

To accurately measure a small distance



1.2.7 Torque Spanner

To measure torque force



1.2.8 Feeler gauge

To measure gap-width



1.2.9 Multimeter

To check electrical circuits and parts



1.2.10 Barometer

To measure pressure of the tire



1.2.11 Magneto drawing device

To detach the magneto



1.2.12 Snap ring clamp To install and detach snap rings

1.3 Periodic maintenance chart

ITEM	ROUTINE	Whicheve comes first	EVERY			INITIAL		
			month	1	3	6	6	12
			km	320	1,200	2,400	2,400	4,800
			(mi)	(200)	(750)	(1,500)	(1,500)	(3,000)
			hours	20	75	150	150	300
Valves	<ul style="list-style-type: none"> • Check valve clearance. • Adjust if necessary. 		○		○	○	○	
Sparkplug	<ul style="list-style-type: none"> • Check condition. • Adjust gap and clean. • Replace if necessary. 		○	○	○	○	○	
Air filter element	<ul style="list-style-type: none"> • clean. • Replace if necessary. 	Every 20-40 hours (More often in wet or dusty areas.)						
Carburetor*	<ul style="list-style-type: none"> • Check and adjust idlespeed/starter operation. • Adjust if necessary. 			○	○	○	○	
Crankcase breather system*	<ul style="list-style-type: none"> • Check breather hose for cracks of 				○	○	○	

	<p>damage.</p> <ul style="list-style-type: none"> • Replace if necessary. 					
Exhaust system*	<ul style="list-style-type: none"> • Check for leakage. • Tighten if necessary. • Replace gasket(s) if necessary. 			○	○	○
Spark arrester	<ul style="list-style-type: none"> • Clean. 			○	○	○
Fuel line*	<ul style="list-style-type: none"> • Check fuel hose for cracks or damage. • Replace if necessary. 			○	○	○
Engine oil	<ul style="list-style-type: none"> • Replace. (Wamenginebefore draining.) 	○		○	○	○
Engine oil filter cartridge	<ul style="list-style-type: none"> • Replace. 	○	○	○		○
Engine oil strainer*	<ul style="list-style-type: none"> • Clean. 	○	○	○		○
Final gear oil	<ul style="list-style-type: none"> • Check for oil leakage. 	○				○
Differential gear oil	<ul style="list-style-type: none"> • Replace every 12 months. 					
Front brake*	<ul style="list-style-type: none"> • Check operation/fluid leakage. (See NOTE page 8). • Correct if necessary. 	○	○	○	○	○
Rear brake*	<ul style="list-style-type: none"> • Check operation. • Adjust if necessary. 	○	○	○	○	○
Select lever safety system cable	<ul style="list-style-type: none"> • Check operation. • Adjust if necessary. 			○	○	○
V-belt*	<ul style="list-style-type: none"> • Check operation. • Check for cracks or damage. 	○		○	○	○
Wheel	<ul style="list-style-type: none"> • Check balance/damage/ 	○		○	○	○

	<ul style="list-style-type: none"> • Repair if necessary. 					
Wheel bearing*	<ul style="list-style-type: none"> • Check bearing assemblies for lossenss/ damage. • Replace if necessary. 	○		○	○	○
Front and rear suspension*	<ul style="list-style-type: none"> • Check operation. • Correct if necessary. 			○		○
Steering system*	<ul style="list-style-type: none"> • Checkoperation./Replace if damaged • Check toe-in./Adjust if necessary. 	○	○	○	○	○
Drive shaft universal joint*	<ul style="list-style-type: none"> • Lubricate with lithium–soap–based grease. 			○	○	○
Axle boots*	<ul style="list-style-type: none"> • Check operation. • Replace if damaged. 	○	○	○	○	○
Fittings and fasteners*	<ul style="list-style-type: none"> • Check all chassis fittings and fastenrs. • Correct if necessary. 	○	○	○	○	○
Lights and switches*	<ul style="list-style-type: none"> • Check operation. • Adijust headinght beams. 	○	○	○	○	○

Engine

2. Inspection and adjustment of engine

2.1 Inspection of cylinder head, intake and exhaust valve

Preheat the engine ,then misfire and unplug the spark plug.Fix pressure gauge into the hole, open the choke and throttle handle,and start for 4-6 times.

Note: Giving a leakage check to the pressure gauge.Rotate the engine until the pressure gauge stop rising.The maximum reading would be greater than 100-130 PSI after starting for 4-6 times.

See figure 2-1.



Figure 2-1

check the valve lash

Note:when adjust valve lash,the engine must be cooled. (The tempreture should be less than 35□)

Remove the seat cushion and fuel tank,unplug the vision hole

cover ,round the flywheel of magneto anti-clockwise to aim “T”at the signal of fore cover on the left.

Note: The piston must be fixed to the dead enter. (Figure 2-2)



Figure 2-2

Remove cylinder valve cover,check the lash between the valve stem by feeler gauge .

Valve clearance:inlet and exhaust valve: 0.05 ~ 0.08mm.

See figure 2-3.



Figure 2-3

Loose the lock nut,rotate the adjusting screw until it appears that the feeler gauge be pulled .Then fasten the adjusting screw by valve adjuster,tighten the lock nut and check the valve lash .Afterword install the cylinder valve cover , vision hole cover,the fuel tank and cushion.

See figure 2-4.



Figure 2-4

2.2 Inspection of spark Plug

1. Unplug the Spark-Plug cap:remove the spark plug by box key,look over whether the spark-plug insulator and electrode is damaged or sooting.

If so ,see figure 2-5.

- 2 . Check the spark clearance by feeler gauge whether it is between 0.6 ~ 0.7mm.Or adjust the gap,clean incrustation with spark-plug cleaner and steel wire brush and check if

the spark plug sealing washer(Figure 2-6).



Figure 2-5



Figure 2-6

	item	standard value:mm	limit value:mm	
cylinder	bore diameter of cylinder	102 ~ 102.03	102.1	
	taper	0.0040	0.005	
	out of roundness	0.0035	0.005	
	degree of toruosity	0.04	0.06	
Piston,piston ring and piston pin	external diameter of piston	101.95 ~ 101.97	101.92	
	bore diameter of piston pin hole	22.002 ~ 22.010	22.010	
	gap between piston pin and piston pin hole	0.007 ~ 0.020	0.02	
	Piston ring			
	end clearance	Top ring/the second ring	0.25 ~ 0.40	0.5
	gap between piston ring and piston groove	oilring top ring the second ring	0.3 ~ 0.9	1.2
			0.3 ~ 0.07	0.10
			0.02 ~ 0.06	0.09
		gap between cylinder and piston	0.03 ~ 0.08	0.09
		external diameter of piston pin	21.995 ~ 21.990	21.96
connecting rod	bore diameter	22.016 ~ 22.027	22.03	
	Gap between small end of connecting rod and piston pin	0.016 ~ 0.033	0.035	

3.Swirl the when spark plug and tighten to 18 ~ 20N.m by box key ,then fix the spark plug cap when assembling.

2.3 Inspection of cylinder, piston and piston ring

Camshaft lube is injected by a hole of engine body into cylinder ,so the hole must not jam.It is necessary to fix the cushion and adjer without dust permeated into the crank case before assembly.

diagnosing and eliminating of malfunction:

- Emission of black smoke for abrasion of cylinder or piston,
 1. Cylinder , piston of piston ring is worn out.
 - 2.The piston ring is not properly assembled.
 3. The piston or cylinder wall is scraped.
- **overheated**
 - 1、 Excessive incrustation of piston.
 - 2、 Blast and abnormal noise.
 - 3、 Abrasion of cylinder or piston.

Inspection of cylinder.

- 1.Check whether the cylinder is damaged.
- 2.Measure the bore diameter of cylinder at three spots.
- 3.At the top,the middle and the bottom of the piston stroke .And measure the bore diameter at directions of right-angle intersection.

repairing limit value:

out of roundness: 0.005 mm

taper : 0.005mm

Inspection of piston and piston ring

Measure the gap between piston ring and piston groove.

- 1.unplug the piston ring;

Note:It is forbidden to damaging the piston ring when assembling.Check whether the piston and the piston groove is cracked and abraded.See figure 2-7



Figure 2-7

2.Insert piston ring into cylinder,and measure the end gap.repairing limit value:the first ring/the second ring: 0.5mm



See figure 2-8.

Figure 2-8

Measure the bore diameter of piston pin hole.

repairing limit value: see figure 2-9



Figure 2-9



3. Measure the external diameter 10mm

above the bottom of the piston skirt.

Extreme position :the gap between

cylinder and piston repairing

limit value: 0.1mm See figure 2-10

Figure 2-10

Measure the external diameter of piston pin:

the gap between piston and piston pin:

repairing limit value: 0.02mm .See figure 2-11



Figure 2-11

2.4 Inspection of crankshaft

Check that whether crank and connecting rod can rotate without stuck and whether the clearance between crank and connecting rod is 0.5 ~ 0.6mm. The hop of crank shaft should be 0.05mm. If not so, replace it. See figure 2-12-1, figure 2-12-2.



Figure 2-12-1

Figure 2-12-2

2.5 Inspection of clutch

The wear condition of shoe block and friction plate:See figure 2-13

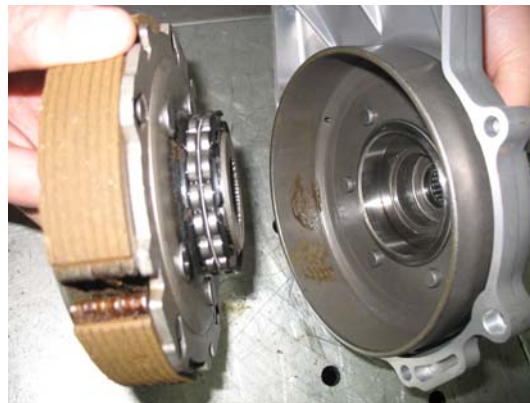


Figure 2-13

2.6 Inspection of carburetor

1、Inspect the idle of carburetor

The engine speed should be 1500 ± 150 r/min 10 minutes after starting at normal idle and will not misfire when briskly accelerate. If not so, rotate the carburetor idle adjusting screw clockwise to rise the idle, anti-clockwise to lower. When adjusting is unavailable, check that if there is a jam in

carburetor idle nozzle or a air-leakage of intake pipe.



See figure 2-14

Figure 2-14

2.7 Inspection of air filter

- 1、 Disassemble the air cleaner,remove cartridge,clean the cartridge with non-flammable cleaning solvent,and then make it dry.

Note: Petrol is forbidden.

- 2.Dip the air filter cartridge into 20# oil,then take it out and squeeze the excessive oil,assemble it orderly.Impermeability is necessary.See figure 2-15, figure 2-16.



Figure 2-15



Figure 2-16

2 . 8 Inspection of oil filter

Cleaning of lubricator oil strainer:remove clarifier (Figure 2-17),clean it to ensure a well work- con

Note:Clean the clarifier

before injecting oil



into crankcase.

Figure 2-17

2.9 Inspection of lubrication system

Lubricant of engine:the vehicle is oiled with lubricant of **API S SAE 10W/40**. Others are forbidden.

capacity :

The capacity is 1.9L after disassembly and assembly.

2、 The capacity is 1.8L when fueling up after drain.

Inspection of lubricant:locate the dune buggy on the ground to lookover the capacity with dip stick.If the level is lower than the bottom indicator,fuel up with recommended lubricant to the upper indicator.

Inspection of oil pump:

flow of oil pump:

r/min	1000	2000	3000
L/min	3.78	7.43	10.89

measure clearance of the top of internal external rotor

Limit value: 0.20mm

2.10 Lubrication of engine

Check the oil level,start the engine and let it running for a few minutes to make it heated and lubricated completely ,then misfire.Unplug the dip stick to do cleaning and dip it into the oil case again.Then unplug

the dip stick and look whether oil level is lower than the indicator. See figure 2-18

Note:Ensure that the engine is landed by both four wheel in flat ground.

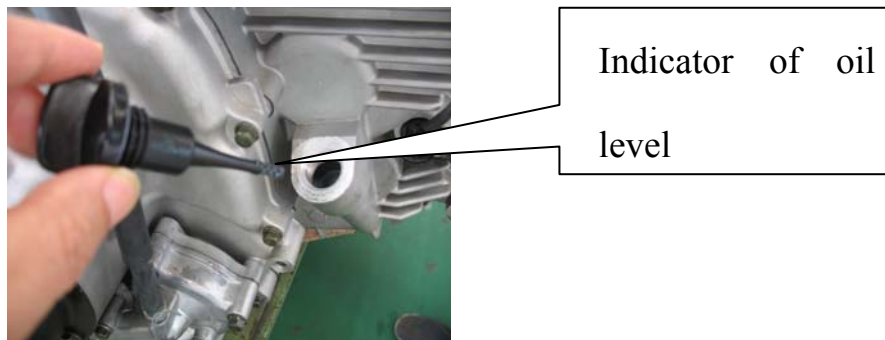


Figure 2-18

2.11 Inspection of cylinder head

1.Check whether the spark plug and valve seat is cracked and whether the cylinder head is out of shape.Examine the flatness of cylinder head by flat or knife edge gauge and clearance gauge .

Repairing limit value:

0.05mm.See figure 2-19



2 Remove and examine the width of valve .

Repairing limit value: 2.0mm.

See figure 2-20-1 ,2-20-2, 2-20-3.

If the mating surfaces is coarse,corrode or cannot contact with valve seat normally.repalce it.



Figure 2-20-1



Figure 2-20-2



Figure 2-20-3

Measure the width of mating surfaces of valve

repairing limit value: 1.5mm

If the valve seat is to wide or narrow or cracked,grind it to ensure impermeability.

- 4、 Measure bore diameter of valve guide with internal micrometer and special gauge.At last calculate clearance between valve stem and valve

guide.

Repairing limit value: intake : 0.12mm exhaust: 0.14mm

Note :Eliminate carbon in the pipe before measuring.If the pipe will be replaced,grind the valve seat again .

5、 Inspection of valve and valve pipe:

Check whether the valve is bent,burn or the valve stem is worn out.

Check the motion of valve and measure external diameter.

Repairing limit value: intake : 5.95mm exhaust: 5.95mm See figure 2-21.

Fix valve into guide,and look over the motion.



Figure 2-21

Inspection of valve spring

Measure the free height and squareness

Repairing limit value:(intake and exhaust)

See figure 2-22-1, 2-22 - 2

free height of inlet valve spring: 32.5mm, squareness:0.10mm

free height of exhaust valve spring: 36.2mm squareness:0.10mm

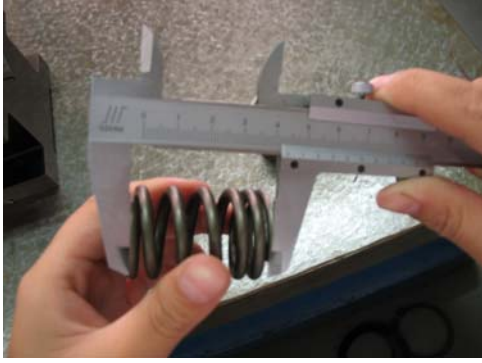


Figure 2-22-1



Figure 2-22-2

6、 Examining lifting distance of breaker cam.

Measure the length of fillet with micrometer and check If it is worn out.

Repairing limit value:inlet lifting distance: 5.73mm

Exhaust lifting distance: 6.53mm.See figure 2-23.



Figure 2-23

7、 Check whether the crankshaft journal is worn out and measure the external diameter of crankshaft journal.

Repairing limit value: 22.939mm

Inspection of rocker arm.

Check whether the rocker arm is worn out,or damaged and whether the oil hole is blocked.

Note:If there is a rocker arm to be replaced,examine the peak of breaker cam

measure the bore diameter of rocker arm

Repairing limit value: 12.038mm.See figure 2-24



Figure 2-24

7 Inspection of rocker arm shaft.

Examine if the rocker arm if worn out or cracked.

Measure the external diameter of rocker arm shaft with micrometer.

Repairing limit value: 11.96mm

The repairing limit value of clearance between rocker arm shaft and hole : 0.05mm ,See figure 2-25

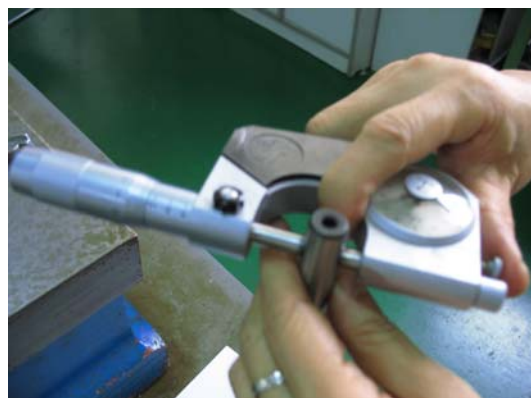
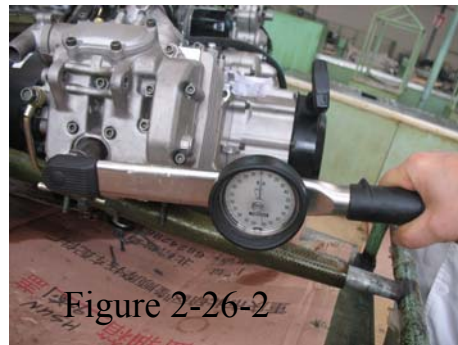


Figure 2-25

3. disassembly of engine

3.1 cylinder head and block

- Unplug the intake pipe and spark plug.(Figure 2-26-1, 2-26-2)



- Remove cylinder valve cover, cam chainwheel cover and Figure 2-27-1

- remove valve chain wheel Figure 2-27-2



Figure 2-27-1

Figure 2-27-2

- remove lower rocker arm shaft. See figure 2-28

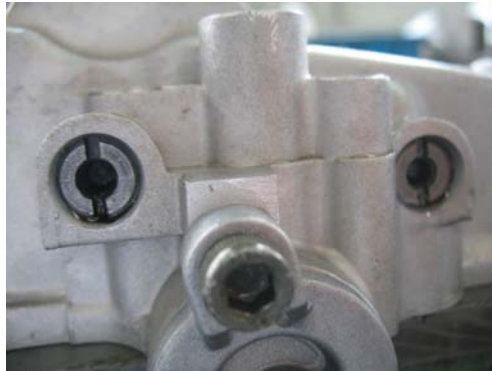


Figure 2-28

- Remove vision hole cover of left front cover . See figure 2-29



Figure 2-29

Alignment: adjust these two " ● " symbols of the cam chain wheel to be at the same level with cylinder cover.

alignment of top dead center:

Rotate the crankshaft with "T" sleeve anti-clockwise until these two " ● " symbols of the cam chain wheel to be at the same level with cylinder cover . That is to say the piston of cylinder is at the top dead center.

Inspection of compression top dead center:

See figure 2-30-1 and figure 2-30-2.



figure 2-30-1



figure 2-30-2.

When inlet valve spring rise, rotate the crankshaft until the “T” indicator on the magneto rotor to be at the same level with the center of vision hole cover of left front cover. That is to say the piston is at the compression top dead center and there are valve clearance in these four rocker arms of cylinder head. See figure 2-31



Figure 2-31

Remove chain tensioner adjuster. See figure 2-32.



Figure 2-32

remove the cylinder head

Loosen the bolt by intersection manner before remove the bolt.see figure 2-33.



Figure 2-33

remove adjuster cotter sealed ring
of cylinder head tensioner

adjuster guide board

See figure 2-34.



Figure 2-34

remove cylinder block seal

adjuster cotter

sealed ring of cylinder head



See figure 2-35.

Figure 2-35

3. 2 piston and connecting rod

- remove the piston snap ring

Note: block the crankcase breather with a piece of cleaning cloth to avoid the snap ring falling into the case. See figure 2-36.



Figure 2-36

- remove piston pin and piston

Clean the buckle of piston and piston pin hole to facilitate the removing of piston pin.

Note: it is forbidden to knock the piston pin with a hammer. See figure 2-37.



Figure 2-37

3.3 Manual starting mechanism

See figure 2-38.



Figure 2-38

3.4 sensor

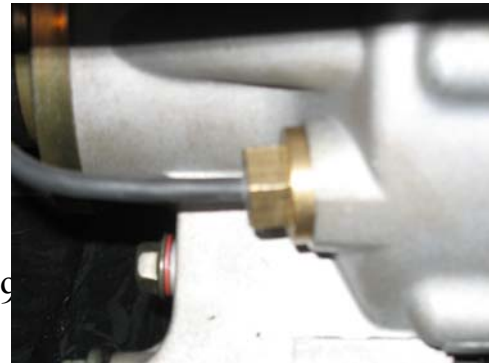


Figure 2-39

3.5 left crankcase cover

See figure 2-40.



Figure 2-40

3.6 magneto

remove the stator coil



remove the pluse coil

Remove the stator with rotor
stripper. See figure 2-41.

Figure 2-41

Remove the whitney key. See figure 2-42.

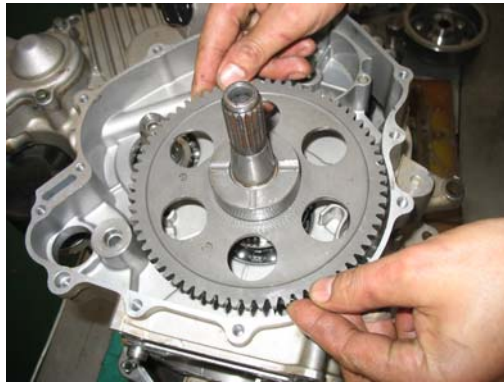


Figure 2-42

3.7 oil pump

remove the bolt of oil pump cover .See figure 2-43.



Figure 2-43

remove right cover

.See figure 2-44.



Figure 2-44

Remove the right support frame,clutch pulley disc .See figure 2-45-1, figure 2-45-2, figure 2-45-3.

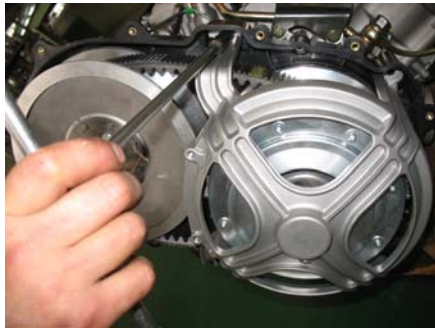


Figure 2-45-1



Figure 2-45-2



Figure 2-45-3

3.8 clutch

- remove the clutch

Remove bolts. See figure 2-46.

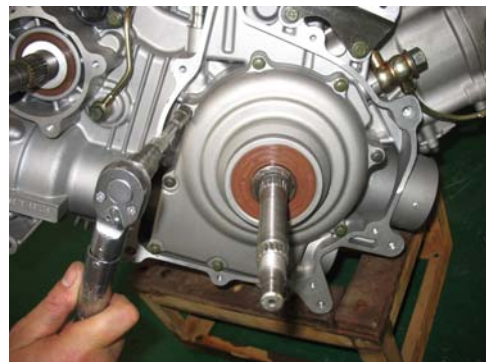


Figure 2-46

Remove the clutch shoe
block and clutch cover.
See figure 2-47.



Figure 2-47

Check the wear condition
of the clutch shoe block
and clutch cover.
See figure 2-48.

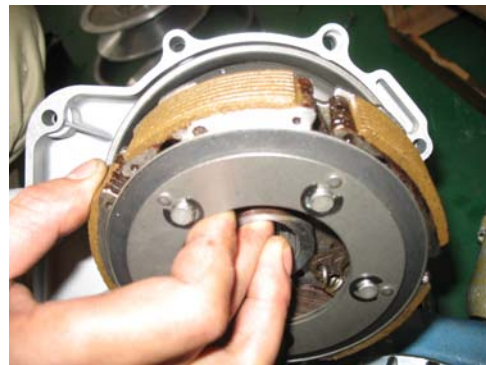
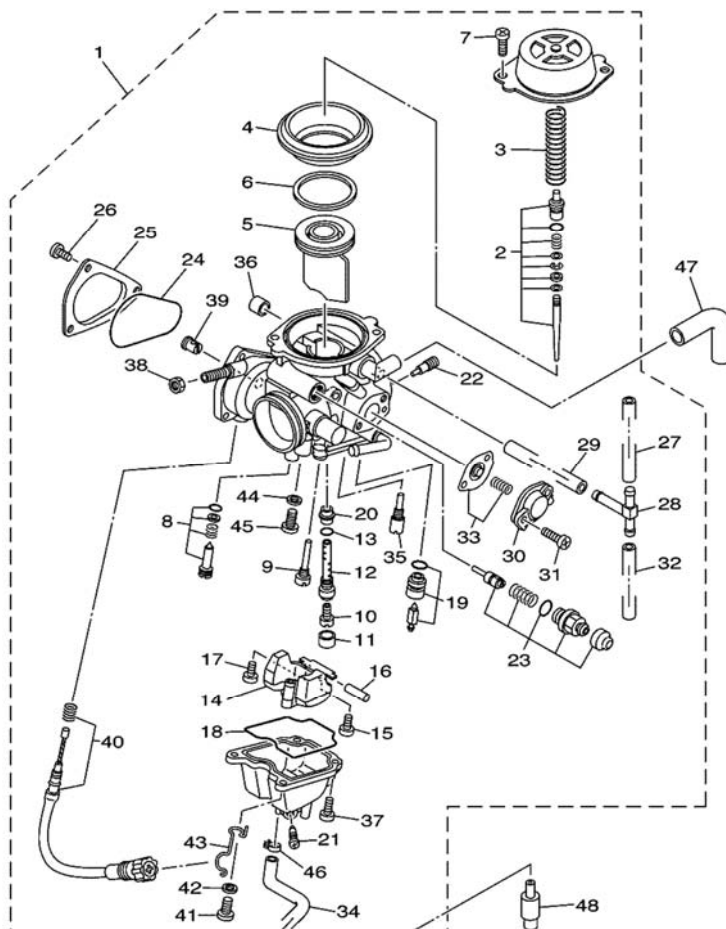


Figure 2-48

3.9 carburetor

3.9.1 structure of carburetor



1 . carburetor assembly 2.oil needle component 3.Plunger spring 4. Big diaphragm
 5.Plunger 6.Diaphragm circlip7.Screw on upper cover 8.Mixture ratio adjusting
 screw component. 9 .idle metering jet 10.High speed jet 11.Liner 12.Foam pipe
 13.O-ring of foam pipe 14.Float 15. Screw M4×816. Float pin 17.Big screw 18.Float
 seal ring 19.Fuel inlet valve component 20.High speed jet 21.Drain screw
 22.idle metering air jet 23.Enriching Plunger component 24.Seal ring of
 external shaft cover 25.External shaft cover 26.Screw M4×8 27.Suction pipe A
 28.T- plastic pipe 29.Suction pipe B 30.ACV valve diaphragm cover 31.Screw
 M4×12 32. Suction pipe C 33.ACV valve diaphragm component 34.Fuel inlet
 pipe 35.Starting jet 36.Dust-proof cover 37.Screw 38.Nut 39.accelerator pull
 cablelocating dowel loop 40.adjusting screw component 41.Screw
 42 . Washer 43.Fixing clamp 44.Washer 45. Screw 46. clip 47.Rubber pipe
 48.Non-return valve 49.Flood pipe

3.9.2 Inspection and adjusting the carburetor

decomposition

- 1.Remove the evacuated chamber cover
- 2.spring
- 3.piston valve

remove permanent seat



spring

spring block

oil needle

remove pilot screw

spring

washer



Note:the pilot screw is set at maximum performance.Before removing pilot screwd,note the revolutions of screw in order to fix it back.

remove float chamber cover

washer

remove float pin

float

triangular needle

remove the cover

nut

O-rings

spring

starting plunger

pilot jet

check the carburetor body



float bowl

oil passage

gas-fouling block→cleaning

chop/damage→replace the carburetor assembly

cleaning steps:

check the float

damaged→replace

check the float triangular needle

triangular needle seat

O-rings

filter gauze

Damaged/worn out/block→replace

check the piston valve

crack→replace

diaphragm

rupture→replace

piston valve oil stick

bent/worn out→replace

Note:If the piston valve is damaged,inject the petrol into valve.Replace it when there is oil leakage.

check the main jet

main jet

pilot jet

pilot screw

0-scrapers

pilot jet

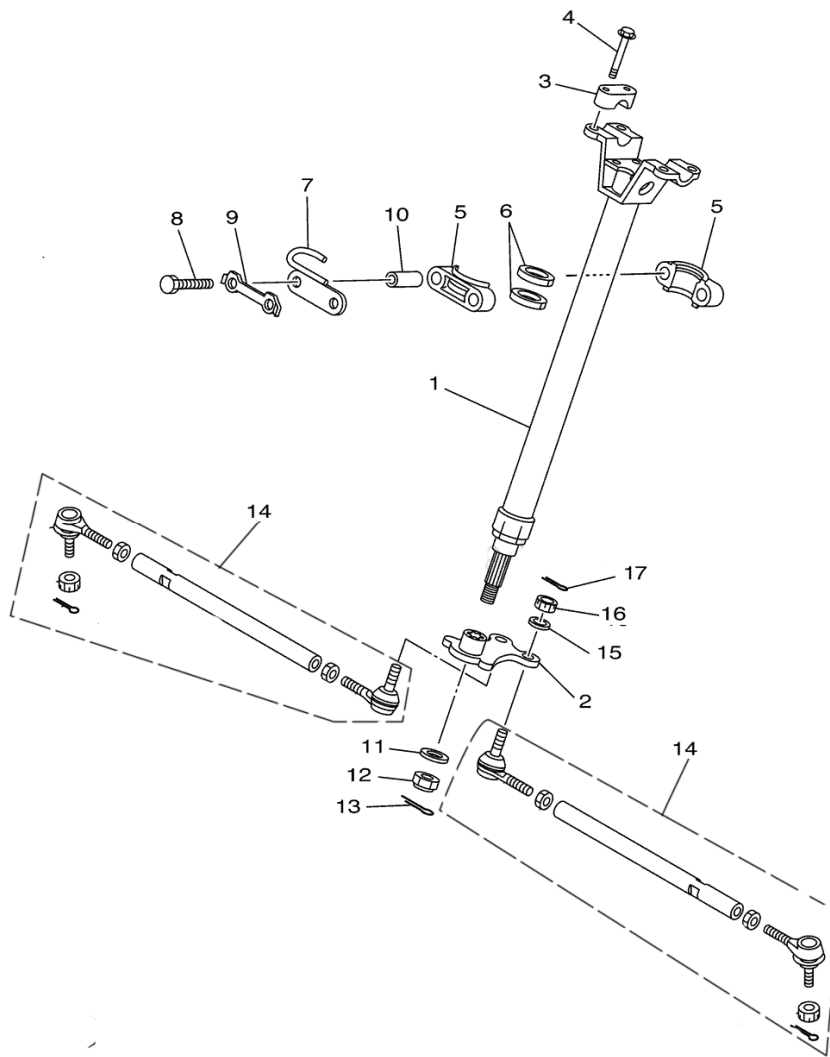
bent/worn out/damaged→replace

gas-fouling block→blow with compressed air

4.Chassis

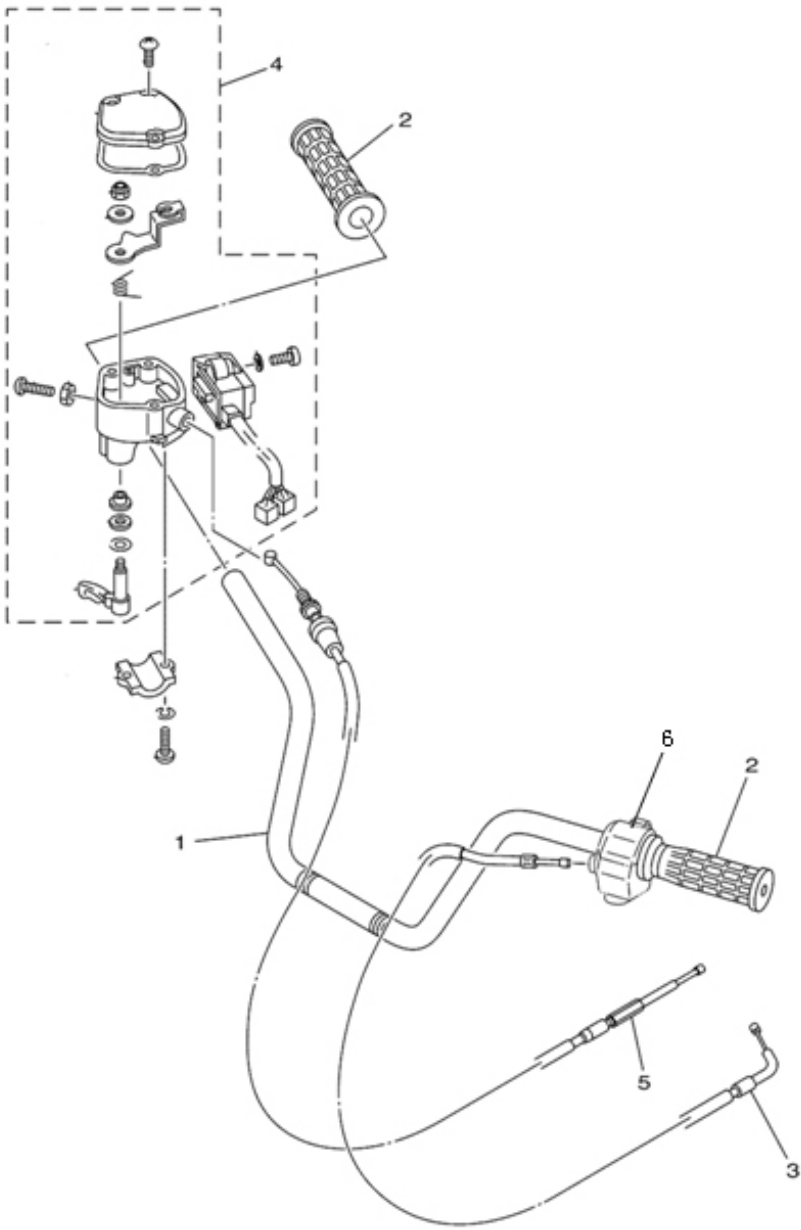
4.1 Steering operation system

Structure of Steering Vertical Column



- 1、steering vertical column components 2、turning rocker arm components 3、Steering Bar
Clip 4、 hexagon flange bolt M8×35
- 5、 inner and external bearing of steering vertical column 6. supporting seal ring of steering vertical
column 7、 Supporting stent 8、 hex bolt M8×60
- 9、 stop reverse piece 10、 Supporting Collar Sheath 11、 cushion $\phi 14 \times \phi 32 \times 4$ 12、 Hexagon
open-groove nut M14
- 13 cotter pin 3.2×32 14、 tension rod assembly 15、 cushion $\phi 10$ 16 Hexagon open-groove nut
M10 17 cotter pin

Components of Steering Bar



- 1、 Steering Bar
- 2、 steering Rubber Sheath
- 3、 air duct door pull cable
- 4、 oiler components
- 5、 accelerator pull cable components

6、 left switch components

4.1.1 Disassembly, inspection and assembly of Steering Vertical Column

4.1.1.1 Disassembly of Steering Vertical Column

1. Remove all of the Plastic cover and Plastic ornaments on Steering Bar (Figure 4-1-1)

- 1) . Front Mud Shield
- 2) . Plastic Ornament
- 3) . Rear Mud Shield

2. Remove Steering Bar Holder (Figure 4-1-2)



Figure 4-1-1

- 1) . Hexagon Flange Bolt M8×30
 - 2) . Steering Bar Holder
 - 3) . Steering Bar Clip
3. Unplug all cables and connecting wires and remove the Steering Bar

(Figure 4-1-3)

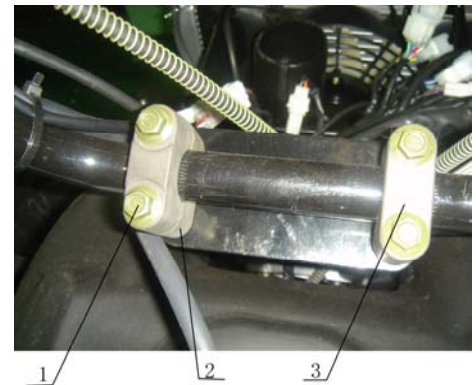
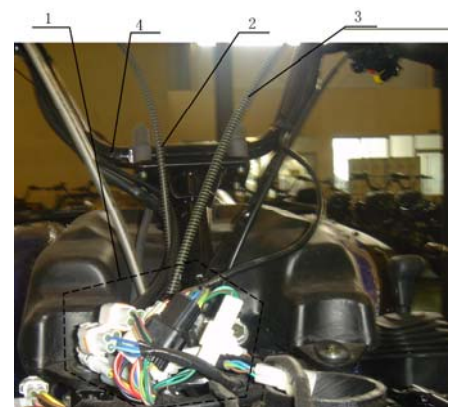


Figure 4-1-2)

- 1) Connecting Wire
- 2) Rear Brake Cable



3) Front Brake Cable

4) Steering Bar

4.Remove the cotter pin,

open-groove nut and

cushion at the bottom

of the Steering Vertical Column. (Figure 4-1-4)

Figure 4-1-3)

1) .cotter pin 3.2×32

2) .cushion $\phi 14 \times \phi 32 \times 4$

3) .Hexagon open-groove nut M14

5、 Remove the supporting

brackets of the steering

vertical column

(Figure 4-1-5)

1) Supporting stent

2) Inner and outer supporting

Bracket

3) safety cushion

6.Remove outer ball pin

components on tension

rod form turning joint

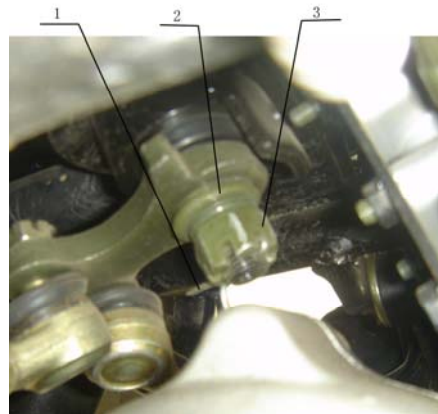


Figure 4-1-4

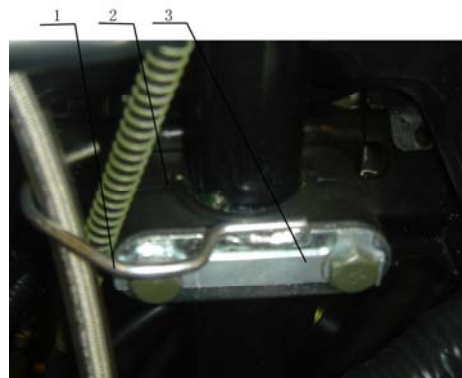
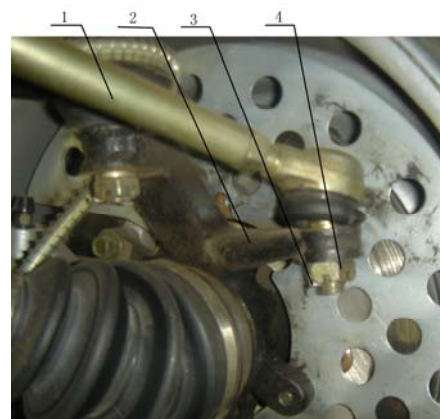


Figure 4-1-5



(Figure 4-1-6)

Figure 4-1-6

- 1)Tension rod
- 2)front right Differential
- 3)cotter pin 3.2*32

4)Hexagon open-groove nut M10

7.Pull out the components of the steering vertical column from the bottom seat.

(Figure 4-1-7)

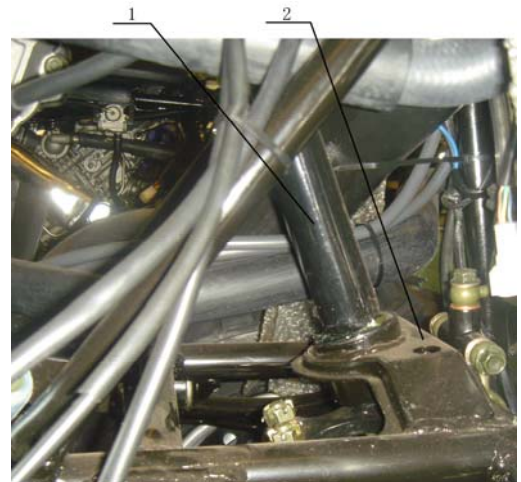


Figure 4-1-7

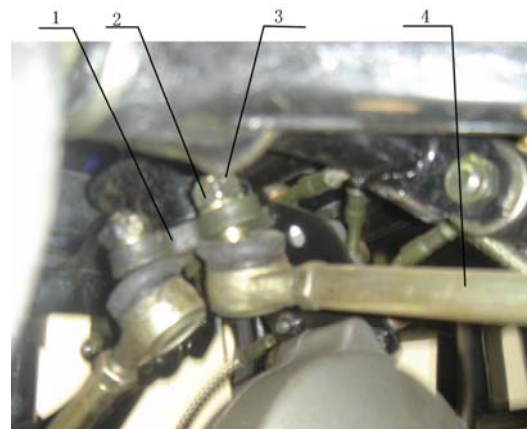
1、 Steering Vertical Column

2、 Bottom Seat

4.1.1.2 Inspection of steering vertical column components:

1.Check whether the nut between the inner ball pin of tension rod and the Turning rocker arm is tightened.(Figure 4-1-8)

In case of loosen or worn out,



tighten it with proper tools or
replace with identical nuts.

Figure 4-1-8

Torque: 32-36N.m

- 1) Steering drop arm assembly
- 2) Hexagon open-groove nut M10
- 3) cotter pin 3.2*32
- 4) Tension rod

2. Check whether the inner and outer ball pin of the tension rod is loose or got stuck. (Figure 4-1-8)

In occasion of above defects, further inspection of the exact causation must be carried out and replace with new ball pin components.

Caution: Continuous use of defective ball pin might cause severe injury or death.

3. Check whether the tension rod is bended, cracked or rusted. In occasion of above problems, please have the tension rod replaced.

Caution: tension rod should not be repaired by welding .

4. Check whether the hexagon open-groove nut and cotter pin are intact. (No crack or flaw is allowed)(Figure 4-1-8).

Those two components are crucial and should be replaced whenever there is a potential problem.

5. Check whether the supporting bracket is firmly fixed to the steering

vertical column. Figure 4-1-5

Inspection method:

Assemble the steering vertical column to the main frame with supporting bracket and M8 bolts etc. and rotate the steering bar to ensure the column is not stuck or swinging.

In occasion of above problems, the supporting bracket must be replaced.

Rotating Torque of the steering vertical column: 3-5N.m

4.1.1.3 Assembly of steering vertical column

- a、 Firstly,fix the Turning rocker arms comp into the steering vertical column.Then plug the steering vertical column into the bottom seat and fix it with M14 open-groove nut (1pcs),14×36×4 cushion (1pcs), collar sheath (1pcs) and 3.2×32 cotter pin (1pcs)(Figure 4-1-9).

Fastening Torque of M14 open-groove nut: 70-80N.m

Caution: before inserting the steering vertical column into the bottom seat, both upper and lower oil seals must be greased with lithium lubrication

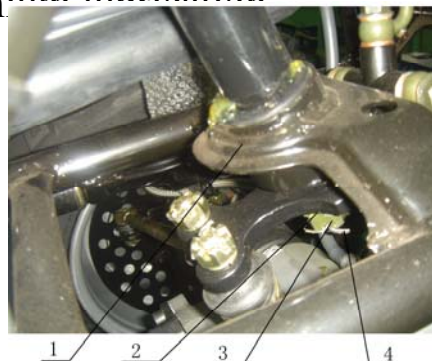


Figure 4-1-9

- 1)、Steering bottom seat
- 2)、Cushion
- 3)、Hexagon open-groove nut M14
- 4)、Cotter pin 3.2×32

2. Fix the steering vertical column onto the frame with hexagon flange bolt M8*60 (2pcs), supporting stent (1pcs), inner and outer supporting bracket (2pcs), stop reverse piece (1pcs) and collar pipes (2pcs). (Figure 4-1-10)

Fastening Torque of M8*60 Bolt: 26-30N.m
--

Caution: inner surface of the supporting brackets must be greased with lithium lubrication.

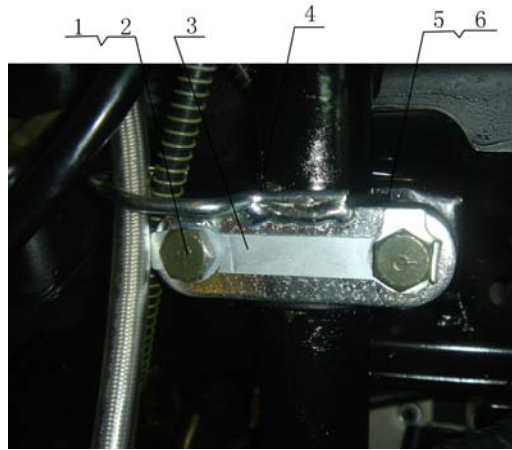


Figure 4-1-10

- 1)、 hexagon flange bolt M8*6
- 2)、 Inner and outer supporting bracket
- 3)、 stop reverse piece
- 4)、 Supporting stent
- 5)、 Supporting Collar Sheath
- 6)、 Supporting ferrel

4. Fix the tension rod into the conical bore of the steering vertical column with tension rod components (2sets), cushion12 (2pcs), M10 hexagon open-groove nuts (2pcs) and cotter pins 3.2×32 (2pcs). Figure 4-1-11

Fastening Torque: 28N.m

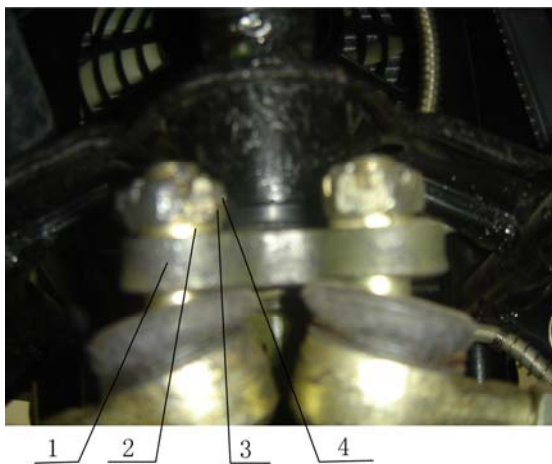


Figure 4-1-11

1)Turning rocker arms comp

- 2) Cushion $\phi 10$
- 3) Hexagon open-groove nut M12
- 4) Cotter pin 3.2 \times 32

4.1.2 Disassembly, inspection and assembly of steering bar

4.1.2.1 Disassembly of steering bar

1. Remove all of the Plastic cover and Plastic ornaments on Steering Bar (Figure 4-1-1)
2. Remove steering bar clip (附图4-1-2)
3. Unplug all cables and wires and remove the steering bar (Figure 4-1-3)

4.1.2.2 Inspection of steering bar

1. Check any existing or potential crack on the steering bar. In case of above defects, the steering bar must be replaced (Figure 4-1-12)



Figure 4-1-12

2. Altitude balance on each end of the steering bar must be less

than 3mm, otherwise replace the steering bar. Figure 4-1-12

3. Check if there exists any slip thread, crack or other defects on the fastening bolts, in which case the bolts must be replaced.

4. Check whether the steering bar clip is damaged (Figure 4-1-12). (Radial runout and wear condition of the inner surface must be less than 0.8mm) Otherwise, replace the steering bar clip.

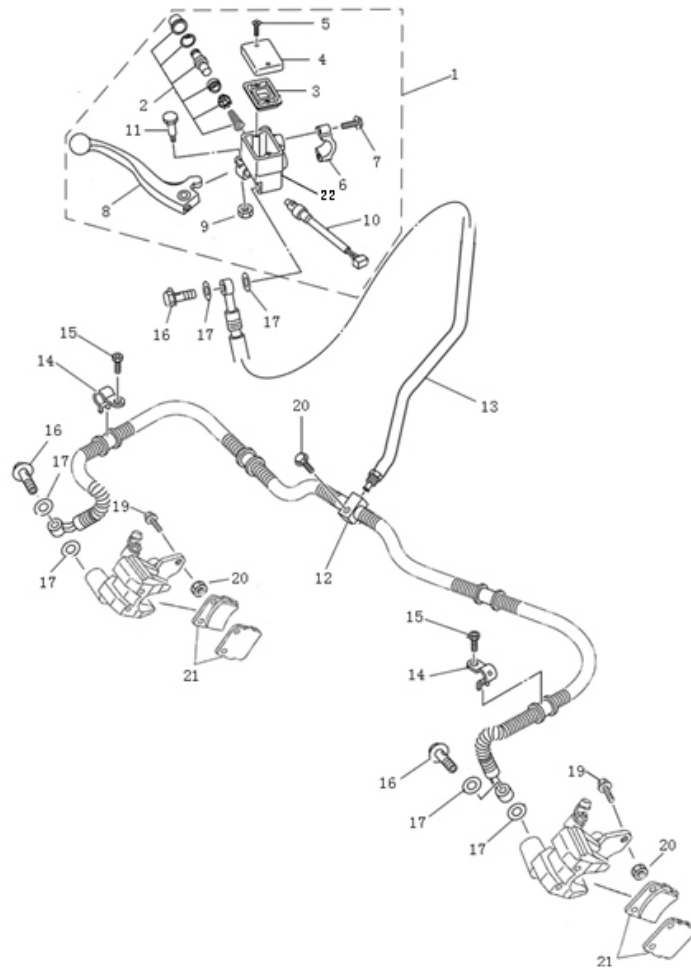
4.1.2.3 Assembly of the steering bar

1. Connect the steering bar, clip and holder with the main frame by hexagon flange bolts M8*30 (4pcs) and adjust the direction of brake cables on both left and right handlebar and clutch cable (Figure 4-1-2)

Fastening Torque of the M8*30 Bolt is: 26-30N.m

4.2 Brake System

4.2.1 Front Disk Brake components



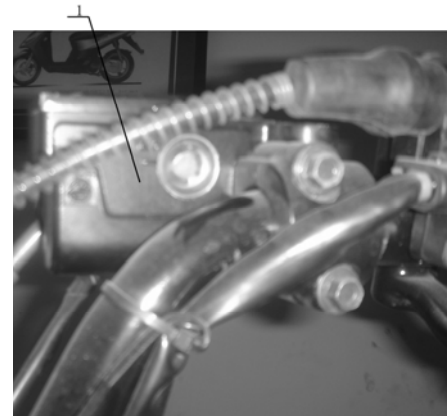
- 1、 disk brake pump assembly 2、 disk brake compressed bearing 3、 disk brake oil bowl sealing washer
- 4、 disk brake oil bowl cover
- 5、 cross recess half-countersunk head screw M5×12 6、 disk brake pump seat 7、 cross recess pan head screw M5×60 8、 disk brake handle
- 9、 hexagonal locknut M8 10、 disk brake switch 11、 disk brake handle bolt 12、 disk brake oil pipe branch seat
- 13、 front disk brake pipe 14、 rear brace of front hydraulic pipe 15、 inner hex bolt 栓 M6×10
- 16、 bolt of front hydraulic pipe 17、 front hydraulic disk brake cushion 18、 Hexagon Flange Bolts M6×25
- 19、 Hexagon Flange Bolt M8×14 20、 Hexagon Flange nut M8 21、 rear brake piece 22、 brake-fluid case

4.2.1 Preparation for inspection and maintenance of the front disk brake system.

1. Brake system is crucial to the life safety of the operator and therefore must be periodically inspected and maintained.

The vehicle uses brake plate. Please follow the tips of inspection as below:

- a) Inspect the brake fluid box level on the right handlebar. Should the fluid level falls under the minimum mark, please refill the box with the same type of fluid as was recommended by the manufacture



(Figure 4-2-1

to ensure the fluid level 1), Brake fluid box

is higher than the minimum mark.

- b) Travel distance of the front brake lever should be kept between 10mm-15mm. Otherwise, please adjust the screw to meet required travel distance. Figure 4-2-2



Figure 4-2-2

1、 Adjusting Screw

c) Inspect the elasticity of the brake handlebar.

d)) Brake fluid will be automatically injected into the brake fuel pipe in the process of abrading brake pad reducing the fluid level in the box. Therefore, periodical inspection of the fluid level is necessary.

Caution: must use DOT4 Brake Fluid

e) Periodical inspection of the wear condition of front disk brake plate is also necessary.

Disk brake plate must be replaced depending on its wear condition. Figure 4-2-3

Caution: 1. If the thickness of the disk brake plate is less than 1.5mm, it must be replace.

2. In occasion of crack or distortion, the disk brake plate must be replaced.

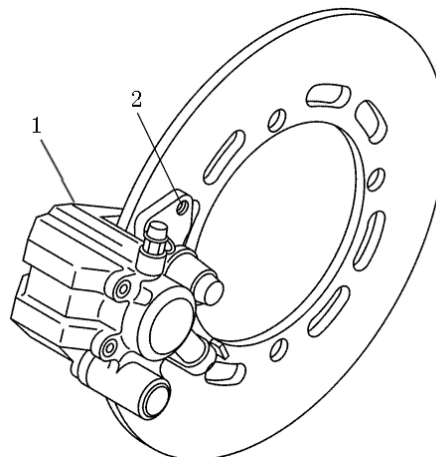


Figure 4-2-3

1) Brake plate clip

2) Hexagon self-lock nut M8

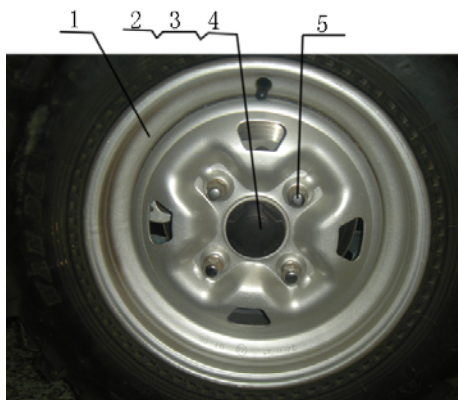
f) Disk brake plate uses hydraulic pressure of the brake fluid. Therefore, fuel pipe must be periodically inspected and replaced.

Inspection Method: Fuel pipe must be replaced when worn out, cracked or distorted.

4.2.1.1 Disassembly, inspection, maintenance and assembly of Front Disk Brake System.

4.2.1.2 Disassembly of front disk brake plate

1、 Removing the wheel component see Figure 4-2-4



1) front wheel hub

2) Hexagon open-groove nut M30

3) cotter pin 3.2*32

4) cushion

5) taper nut M10

Figure 4-2-4

2. Subsequently remove the cotter pins, open-groove nuts, cushion and front wheel hub from the front wheel shaft. (Figure 4-2-4)

3. Remove the disk brake plate from the front wheel hub.



(Figure 4-2-5)

1)disk brake plate

2)Rront brake plate clip

4.2.1.3 Disassembly of the Front Disk Brake system:

- 1.Remove the bottom seat of Disk Brake Pump and then remove the whole unity.

Figure 4-2-6

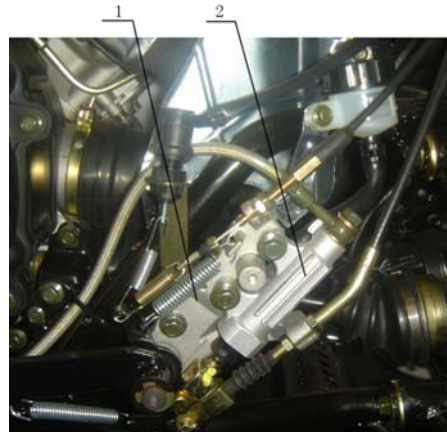


Figure 4-2-6

1)bottom seat of Disk Brake Pump

2)Disk Brake Pump unity

2、 Remove the Front Fuel Pine Brackets/(Figure4-2-7)

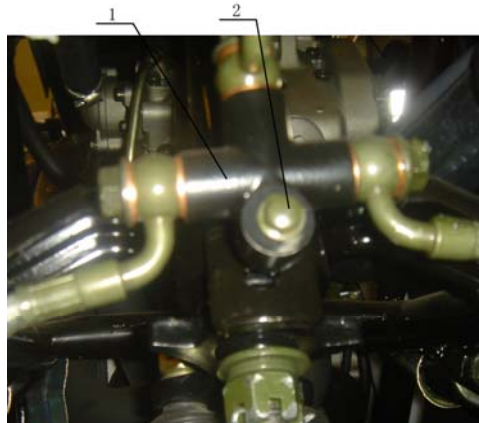


Figure4-2-7

1).branch seat of Disk Brak Fuel Pipe

2).Hexagon Flange Bolts M8

3.Detach the Plate Clip nut and remove the Plate Clip(Figure4-2-3).

4、 Remove the Rront brake plate system(Figure4-2-3)

4.2.1.4 Inspection of the Front Brake System

1. Check the Brake Fluid Box for crack, leakage and other potential defects.
2. Check Fastening Bolts of all Fuel Pipes for possible looseness or damage.
3. Check all Fuel Pipes for deterioration, distortion, crack, wear and other hidden defects.
4. Check the Brake Plate Clip for distortion, crack, rust and stuck.
5. Inspect the Brake Shoe for wear condition. Brake shoe must be replaced when worn out. (Figure 4-2-8)

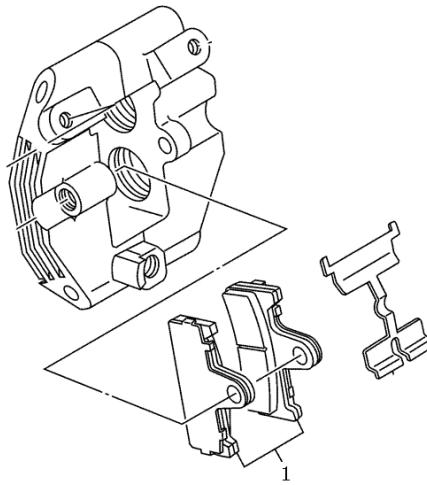


Figure 4-2-8

1) Brake Shoe

6. Inspect the Brake Shoe for maximum wear, distortion and crack, in which case it must be replaced.

Maximum wear of Rear Disk Brake Plate is less than

1.5mm

4.2.1.5 Assembly of Front Brake System

1. Use Fuel Pipe Brackets (2pcs) and Hexagon Flange Bolts M8*16 (2pcs) to connect the Fuel Pipe Clip with both left and right Lower Front L/R rocker arms.

Caution: Fuel Pipe must avoid physical contact with other components in movement.

2. Fix the Disk Brake Plate onto the Front Wheel Hub with M8 Special Bolts (4pcs) (Figure 4-2-4)

Caution: grease the bolt with thread glue when

fastening. Fastening Torque of the Bolt: 22N.M-26N.m

3. Fix the Front Wheel Hub onto the Front Wheel Shaft with open-groove nuts and cotter pins. (Figure 4-2-4)

Fastening Torque of Open-groove nut:

50 N.m—60N.m

4. Fix the Plate Clip onto Front Turning Joint with M8 Bolts (4pcs)

Fastening Torque: 18 N.m --22 N.m

5. Assemble Front Wheel Components onto Front Wheel Hub with M10 Conical Nuts of GB/T802 (4pcs) (Figure

4-2-15)

Fa

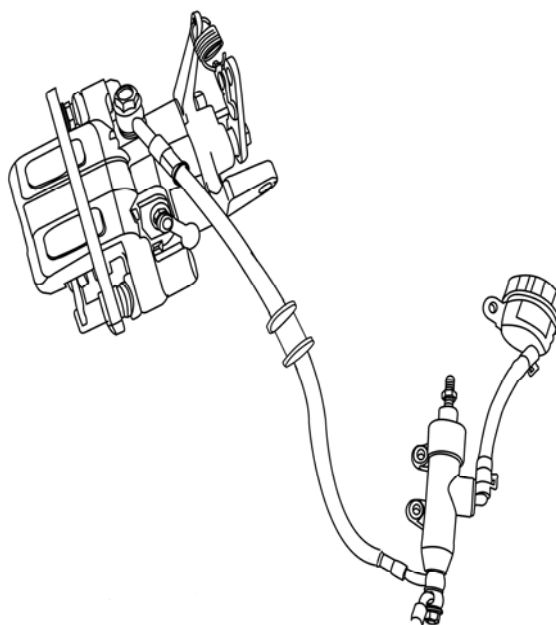
stening Torque of Conical Nut: 55 N.m -40N.m

6、 Fix Front Disk Brake Pump onto the Right Handlebar with
M5*60 hexagon bolts (2pcs) (Figure 4-2-16)

astening Torque of the bolt is: 10 N.m --14 N.m

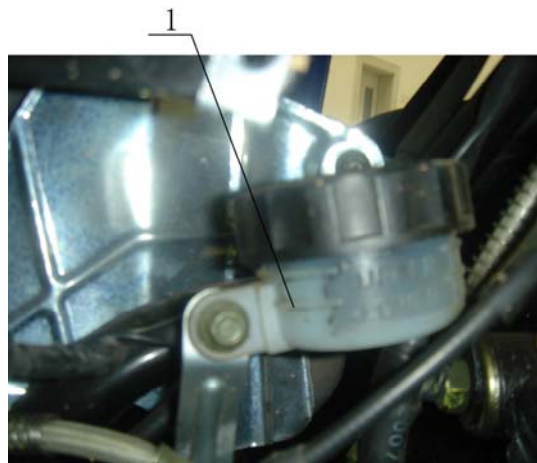
Caution: Do not operate the vehicle immediately after assembling the brake system. Please apply the Brake Lever several times to fully engage the Disk Brake Plate and have the Brake Fluid circulating before riding the vehicle

4.2.2.Rear Brake System



4.2.2.1Preparation for inspection and maintenance of the Rear Brake System

- a) Brake system is crucial to the life safety of the operator and therefore must be periodically inspected and maintained.
- b) Rear wheels of the vehicle use brake plates mechanized by a rear brake pedal. Please follow the tips of inspection as below.
- c) Inspect the brake fluid box level on the right handlebar. Should the fluid level falls under the minimum mark, please refill the box with the same type of fluid as was recommended by the manufacturer (Figure 4-2-9) to ensure the fluid level is higher than the minimum mark.



1、 Minimum Mark

- d) Travel distance of the Rear Brake Pedal should be kept between 20mm-30mm. Otherwise, please adjust the screw to meet required travel distance.(Figure 4-2-10)

e) Inspect the elasticity of the brake handlebar.

f) Brake fluid will be automatically injected

into the fuel pipe in

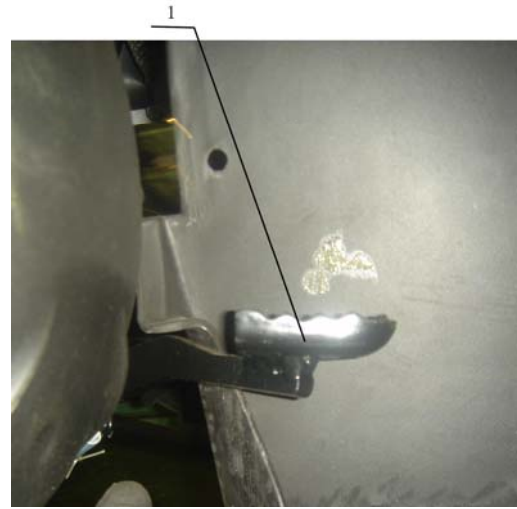


Figure 4-2-10

1、Rear Brake Pedal

the process of abrading brake pad

reducing the fluid level in the box. Therefore, periodical inspection of the fluid level is necessary.

Caution: must use DOT4 Brake Fluid

o

g) Periodical inspection of the wear condition of front disk brake plate is also necessary.

Disk brake plate must be replaced depending on its wear condition. (Figure 4-2-11)

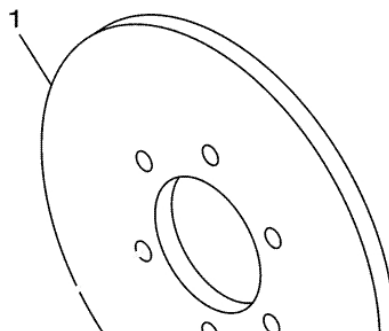


Figure 4-2-11

1、 Disk Brake Plate

Caution: 1. If the thickness of the disk brake plate is less than 2.5mm, it must be replaced.

2. In occasion of crack or distortion, the disk brake plate must be replaced.

h) Disk brake plate uses hydraulic pressure of the brake fluid. Therefore, fuel pipe must be periodically inspected and replaced.

Inspection Method: Fuel pipe must be replaced when worn out, cracked or distorted.

4.2.2.2

Disassembly, Inspection and Assembly of Rear Disk Brake System:

4.2.2.3 Disassembly of Rear Disk Brake System

1. detach Rear Disk Brake Pump from the Frame

(Figure 4-2-6)

2. Remove Rear Disk Brake oil bowl from the Frame

(Figure 4-2-9)



3. Release assembling

Bolt (M8*14) and

detach the Rear Disk

Brake Clip. (Figure 4-2-12)

Figure 4-2-12

1)Rear Disk Brake Clip

2)hexagon flange bolt M18×14

4、 Remove Rear Disk Brake System

4.2.2.4. Disassembly of Rear Disk Brake Plate

1.remove rear wheel components(Figure 4-2-13)

2、 Release the transmission

case components of rear bridge

from the main frame.Remove

rear central transmission shaftv

components. (Figure 4-2-14)

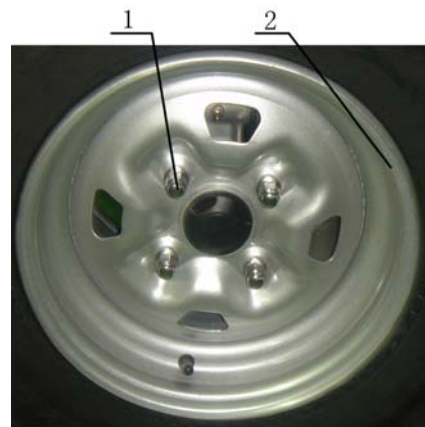


Figure 4-2-13

1)Conical Nuts M10

2)Wheel Hub

3、 Remove the Bottom Seat

of Rear Disk Brake Plate

from the Rear Bridge.

(Figure 4-2-14)

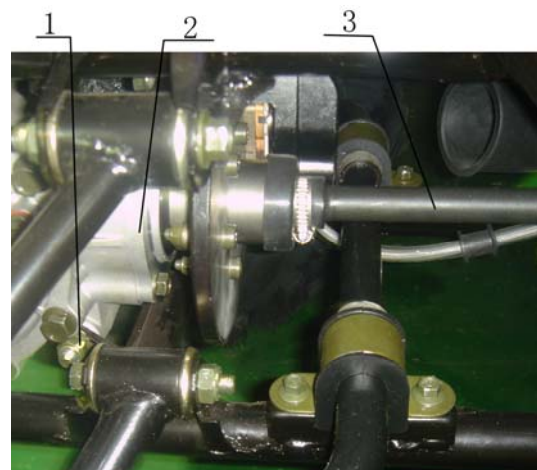
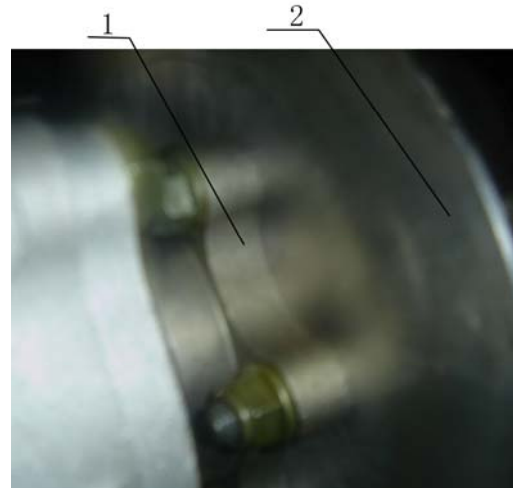


Figure 4-2-14

- 1)hexagon flange bolt M10×115
- 2)rear transmission case
- 3)rear central transmission shaft



3.Remove the Rear
Disk Brake Plate from
Bottom Seat
See Figure 4-2-15

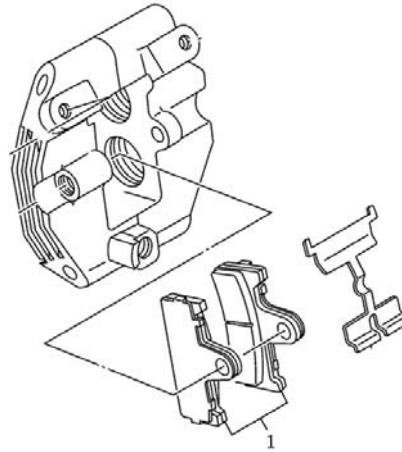
Figure 4-2-15

- 1).Bottom Seat of Rear Disk Brake Plate
- 2)Rear Disk Brake Plate

4.2.2.5 Inspection of Rear Brake System:

- 1、 Check the Brake Fluid Box for crack, leakage and other potential defects.
- 2、 Check Fastening Bolts of all Fuel Pipes for possible looseness or damage.
- 3、 Check all Fuel Pipes for deterioration, distortion, crack, wear and other hidden defects.
- 4、 Check the Brake Plate Clip for distortion, crack, rust and stuck.

- 5、 Inspect the Disk Brake Shoe for wear condition. Brake shoe must be replaced when worn out.



1、 Brake Shoe

- 6、 Inspect the Brake Shoe for maximum wear, distortion and crack, in which case it must be replaced.

Maximum wear of Rear Disk Brake Plate is less than
2.5mm

4.2.2.6 Assembly of Rear Brake System

- 1 Fix Disk Brake Plate onto the Bottom Seat with Special M8 Bolts (6pcs).

Caution: Grease the bolt with thread glue
when fastening

Fastening Torque of bolt: 22 N.m -28N.m

- 2、 Mount the Bottom Seat of Rear Disk Brake Plate onto rear

transmission case .Then configure the rear central transmission shaft,
rear transmission case in turn. See

Figure 4-2-15

- 3、 Mount the Disk Brake Clip onto rear transmission case with M10×30 Bolts (2pcs)

Fastening Torque: 18 N.m--22 N.m

- 4、 Mount Fluid Box of Rear Disk Brake onto the Frame with M Bolt (1pcs).

Fastening Torque: 8 N.m—12 N.m

- 5、 Mount Rear Disk Brake Pump onto the Frame with M Bolts (2pcs).

Fastening Torque: 22 N.m—26 N.m

- 6 Fix front wheel hub onto the front wheel shaft with cushion,

open-groove nuts and cotter pins.

Fastening Torque: 50 N.m—60 N.m

- 7.Assemble Front Wheel Components onto Front Wheel Hub with M10 Conical Nuts(GB/T802) (4pcs).

Fastening Torque of Conical Nut: 55 N.m - N.m

Caution: Do NOT operate the vehicle immediately after assembling the brake system. Please apply the Brake Lever several times to fully engage the Disk Brake Plate and have the Brake Fluid

circulating before riding the vehicle.

4.3 Wheel and Tire

4.3.1 : Preparation for maintenance of wheel:

1. Inspect wear condition

of the tire.

(Figure 4-2-16)

2. Check if the Wheel

Hub is worn-out or
damaged. (Figure 4-2-13)

3. Check if the Wheel Hub

is rusted or cracked.

4. Check if the conical nuts of the Wheel Hub

Are loose or distorted.



Figure 4-2-16

4.3.2 Disassembly, inspection and assembly of wheel components:

4.3.2.1 Disassembly of wheel components:

Remove M10 Conical Nuts (4pcs) and detach the tire. (Figure 4-2-13)

4.3.2.2 Inspection of wheel components:

1. Check if the wheel hub has any distortion, rust, crack or other potential defects. If so, please replace the wheel hub.

- 2、 Check if the tire has reached its maximum wear condition in which case it should be replaced.
- 3、 Check the joining condition of the tire and wheel hub. If the joint of tire and wheel hub is loose, replace the tire immediately.
- 4、 Check the vibration of tire/wheel hub. (Figure 4-2-13)

Vibration of assembled Tire must be controlled within 3mm. Otherwise, please replace with new tire.

Remove the tire for vibration test of the wheel hub.
Should the vibration exceed 1.2mm, the wheel hub must be replaced.

- 5、 Inspect the four conical bores on the wheel hub.

In occasion of angular distortion or wear, the wheel hub must be replaced.

4.3.2.3 Assembly of wheel:

Attach wheel hub onto the wheel with M10 Conical ball Nuts (4pcs)and dust-proof cover.(1pcs).

Fastening Torque: 45 ~ 55N.m

Caution: assemble the wheel in correct direction (shown as the arrow). Front and Rear Wheels are not interchangeable. (Figure 4-2-17).

4.3.2 Specification and operation guide of Wheel Hub and Tire.

Since wheels and tires are crucial to the



Figure 4-2-17

vehicle operation, periodical inspection for tire pressure and profile depth is necessary.

Specification of Wheel and Tire

	Wheel Hub Dimension	Tire Dimension	(kPa) Tire Pressure
Front Wheel	12×6	25×8-12	35
Rear Wheel	12×8	25×10-12	35

To ensure maximum security and longer life expectancy of the wheel, please periodically inspect the tire pressure and profile depth. Insufficient tire pressure can result in not only intensified wearing of the tire but also instability during the course of operating the vehicle (such as hard turning). Excessive tire pressure can also reduce the friction force between the tire and ground, causing spinning or lose of control. Therefore, please ensure the tire pressure strictly complies with figures shown in the chart above.

Before operating the vehicle each time, please check if profile

depth of the tire is over worn, which might result in spinning, instability, lose of control and other potential security risk of the vehicle.

Caution: Should the profile depth falls below 3mm, please replace the tire immediately.(Figure 4-2-18)



Figure 4-2-18)

4.4 Transmission System

4.4.1 Fore Bridge

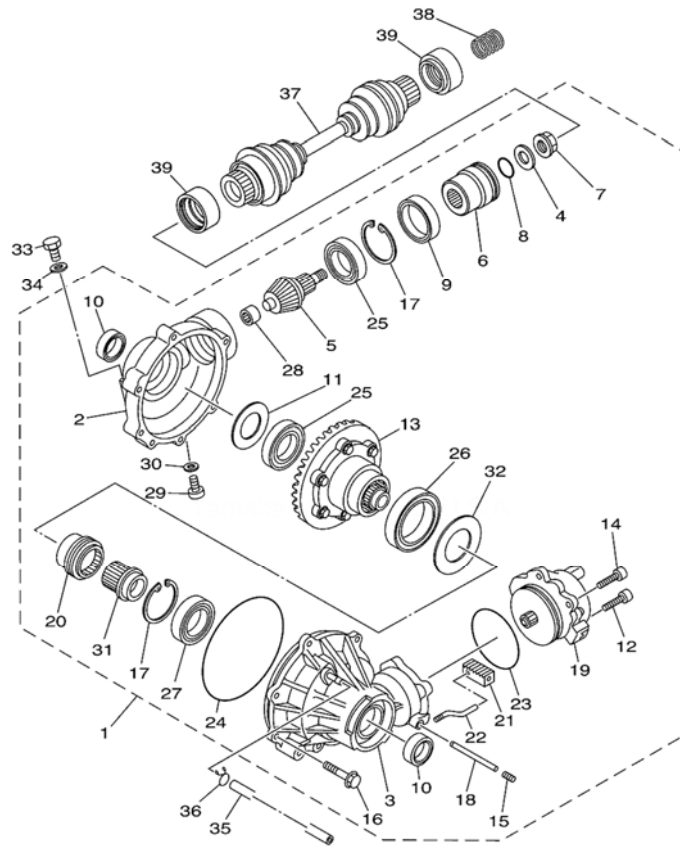


Figure 4-2-19

1、 front wheel hub 2、 L/R transmission shaft 3、 fore bridge differential components 4、 middle transmission shaft components of fore bridge

5、L/R turning joint

front tank components



- 1、gear-box assembly of front bridge 2、 the right cover 3、 the left case 4、 cushion 10.5
5、 drive gear of front bridge
6、 front driving axis pin sleeve 7、 M10X1.25 flange locknut 8、 O-ring of front bridge drive gear 9、 65X48oil seal 10、 oil seal of rear constant velocity joint assembly 11、 differential –adjusted washer
12、 M8X20 engine gearbox bolt 13、 differential assembly 14、 inner hex bolt M8X25 15、 inner hex bolt M8X10 16、 hexagon flange bolt M10×25
17、 clip used in66 18、 5X80 cylindrical pin 19、 engine gearbox assembly 20、 adaptor 21、 cog rack
22、 fork 23、 O-rings of engine gearbox 24、 O-rings of front cover 25、 deep-groove ball bearing6007 26、 deep-groove ball bearing 6912 27、 deep-groove ball bearing 16007

28、needle bearing 15BM2112 29、M10X16 oil-change bolt 30、10X1.5 cooper gasket 31、
 power divider coupling 32、 differential-adjusted washer□ 33、 bolt M14X15
 34、 copper gasket 14X2 35、 vent pipe of drive case 36、 clip of oil pipe 37、 fore
 transmission shaft
 38、 weak spring of fore transmission shaft
 39、 dust-proof cover of fore transmission shaft

4.4.1 Disassembly, inspection, assembly of Rear Bridge components(refer to the figure of fore Bridge ,fore case components)

4.4.1.1

1. Check if the connection between wheel hub and the Bottom Seat of wheel hub is reliable and if there is any distortion on the Bottom Seat of wheel hub.If there exists any such potential defects, the Bottom Seat of wheel hub must be replaced immediately.
2. Check if the differential and its attachments are compatible well and if there is stagnation, slosh and Crunch of the Differential bearing. In case the bearing or Differential is flawed, the fore bridge must be removed in the first instance, then replace the bearing and Differential.
3. Check if the constant velocity joint is matched up well. If not so or there is gear-cracked and abnormal noise, remove the constant velocity joint and align it .

4. Check if there exists any slip thread or flaw on the open-groove nut .
5. Disassemble the front tank and check whether the gears Is engaged properly.
6. In case the choke is jammed, it must be dredged with a needle. If the problem is not solved, replaced it.
7. If there are defects on sensors ,it must be checked and maintained by a professional.
8. Gears are fragile commodities in transmission system.

4.4.1.2 Disassembly of fore bridge component:

1. Detach the two front wheel parts.
2. Removed front Disk Brake Clip, cotter pin, cushion and the front wheel hub. (Figure 4-2-20)



Figure 4-2-20

3. Disassemble the fore bridge differential(Figure 4-2-20)
 - 4、 Take out the fore bridge from the frame
 - 5、 Release engine oil in the differential
 - 6、 Unplug the transmission shaft from the differential (Figure 4-2-19)

4.4.1.3

Inspection and Maintenance of fore bridge:

1. If the dust-proof Rubber Sheath of the transmission shaft is worn out or cracked, please have it replaced immediately.
2. Check whether the ball is running smoothly. If found loosen or stunk, replace the transmission shaft.
3. disassemble the transmission shaft, clean then install,

Caution: 1. the dust-proof Rubber Sheath can not be touched by petrol and diesel oil.

2 The dust-proof Rubber Sheath must not be cracked for slight scratch may be damaged the Rubber Sheath.

3. Inject 2/3 Lithium Lubrication into the ball.

4. Open the differential, and inspect wear condition of gear, shaft and cushion, then replace the defective component.

4.4.1.4

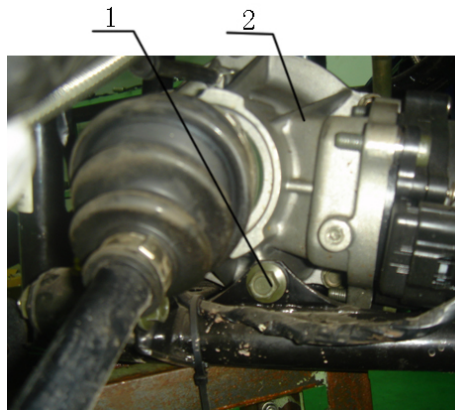
assembly of fore bridge component

1. Fix transmission shaft onto fore bridge differential. (Figure 4-2-19)
2. Inject 0.32L of Gear Lubricant of SAE 80 API GL-4 into Fore bridge differential. Then tighten the bolt.

Torque of the bolt: 23N.m

- 3、 Fix the fore bridge differential onto the frame with hexagon flange bolt M10×110 (2pcs), M10 nuts (2pcs), cushion 10 (2pcs)
(Figure 4-2-21).

Fastening Torque of the Bolt is
40 ~ 45N.m.



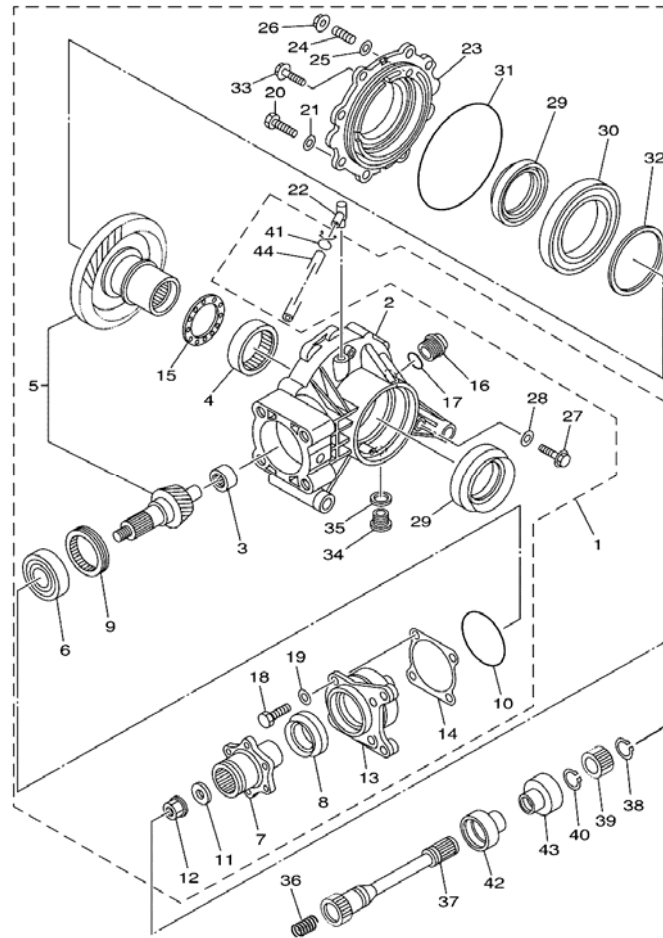
(Figure 4-2-21)

- 1、 hexagon flange bolt M10×110
- 2、 fore bridge case

4.4.2 Rear Bridge

4.4.2.1 transmission case of rear bridge



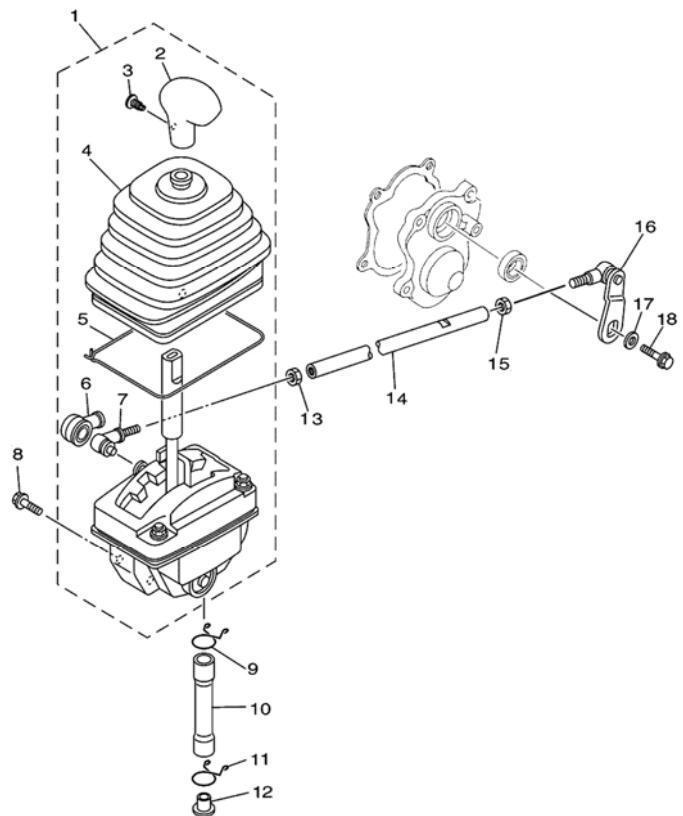


- 1、 rear bridge transmission case assembly 2、 the left case 3、 needle bearing 22BM3010 4、 needle bearing 55BM6720A
- 5、 cluster gear of rear bridge 6、 needle bearing 7、 rear disk brake seat 8、 Oil seal 9、 clamp sheath
- 10、 O-ring of rear drive gear 11、 cushion 12、 nut M12X1.25 13、 rear drive gear seat
- 14、 rear adjuster cushion 15、 rear adjuster cushion 16、 oiling plug 17、 O-rings of grease hole 18、 hex bolt M8X35 19、 cushion 20、 hex bolt M8X25 21、 cushion 22、 zinc-base alloy oil cap 23、 case cover of rear bridge 24、 inner hex bolt M8X45 25、 cooper gasket 26、 flange nut M8 27、 hexagon flange bolt M8X12 28、 cooper gasket 29、 90X65 oil seal
- 30、 deep-groove ball bearing 16017 31、 O-rings of rear bridge cover 32、 rear adjuster washer 33、 hexagon flange bolt M10X25

34. rear bridge oil-change plug M14X15 35. Copper gasket 36. Weak spring of rear bridge transmission shaft 37. rear bridge transmission shaft 38. external clip 39. sheath of rear bridge transmission shaft 40. external clip 41. clip 42. fore dust-proof cover of rear bridge transmission shaft 43. rear dust-proof cover of rear bridge transmission shaft 44. bypass line

The maintenance of rear bridge is identical to the fore bridge. Please refer to the preceding contents.

4.5 gear shift mechanism



1、 gear shift mechanism assembly 2、 gear shift mechanism handle 3、 plastic screw of gear shift mechanism

4、 dust-proof cover of gear shift mechanism 5、 dust-proof cover thimble of gear shift mechanism

6、 velocity joint rubber sheath of gear shift mechanism

7、 velocity joint of gear shift mechanism 8、 hex nut(anti)M8 9、 waste oil pipe thimble of gear shift mechanism

10、 waste oil pipe of gear shift mechanism 11、 waste oil pipe thimble of gear shift mechanism

12、 waste oil pipe robber plug of gear shift mechanism

13、 hex nut (upright)M8 14、 connecting rod of gear shift mechanism 15、 hex nut (anti)M8

16. gear shift controlling 17. cushion6 18. hex nut M6×36

4.5.1 Inspection and Maintenance of gear shift Mechanism(refer to the picture of gear shift Mechanism)

1.Check the mobility of gear shift handle. If it is not working properly, remove the gear shift Mechanism to check if the fork , ball and spring is stuck.,in which case replace the defective component and try again.The last way is to turn to the professional repairman.

2.If there is lack in the gear shift mechanism , adjust the nut of the fork to correct position and strengthen gear shift mechanism .

3.Remove the gear shift mechanism and check whether the linking rod is cracked; If so, it should be changed.

4.Check whether the bouncing spring of gear shift mechanism is intense enough.

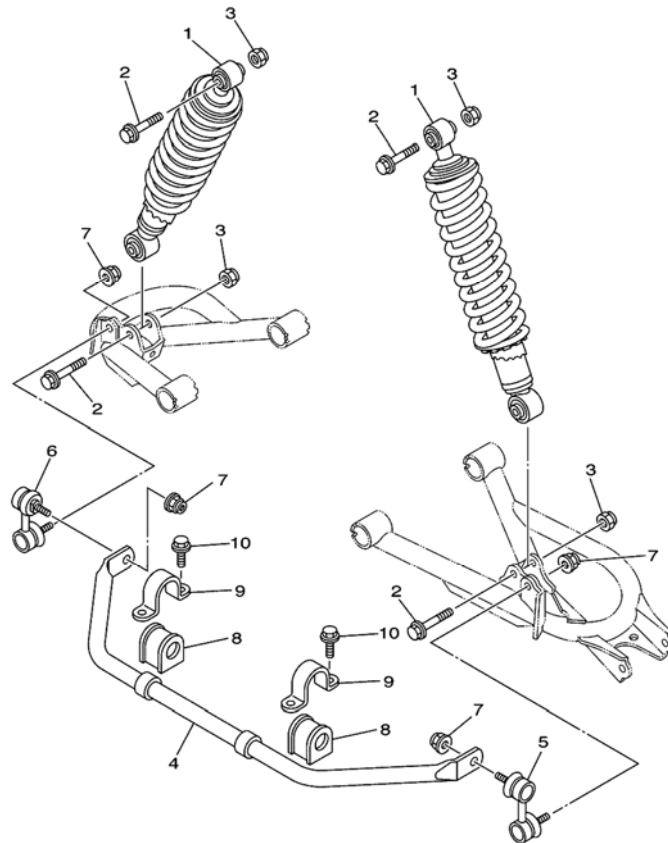
5.Check whether the gear is engaged correctly and whether there are tripstop or lack. If these situation exists, call for the maintainance staff to test and repair it.

6.If the gear can not be engaged, we can test it from the following aspects: whether the clutch can completely declutch; whether the gearshift is greased reliable(whether the oil pipe of gear shift mechanism is blocked) whether gear shift mechanism jams;If these

situation happens, maintenance staff would come to test and repair it.

4.6 Suspension

4.6.1 components of rear Suspension



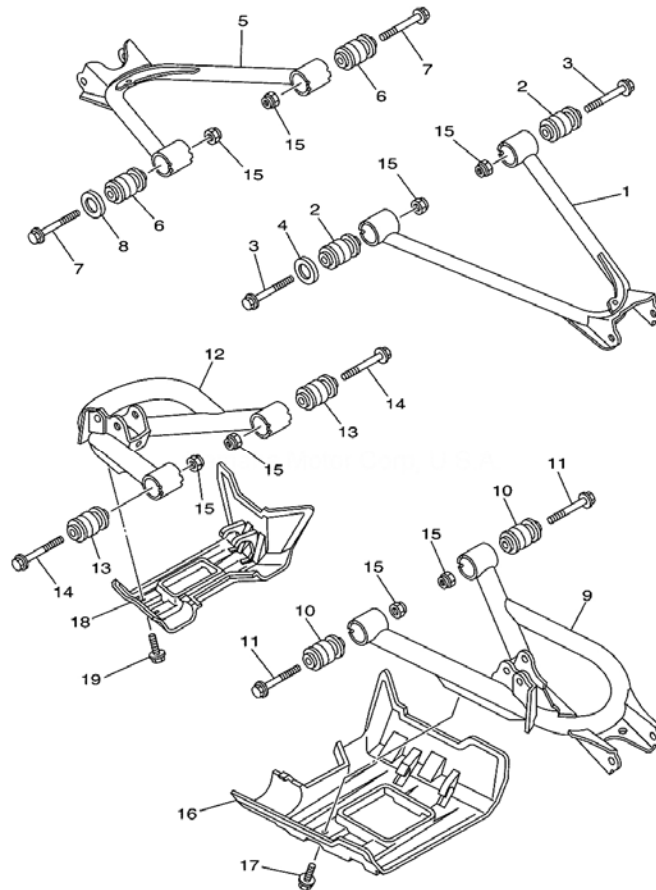
1、 rear damper components 2、 hexagon flange bolt M10×50 3、 locknutM10×1.25 4、 horizontal rear-fin components

5、 the right horizontal rear-fin velocity joint 6、 the left horizontal rear-fin velocity

joint 7、 locknutM12×1.25 8. horizontal rear-fin robber sheath 9. horizontal rear-fin press

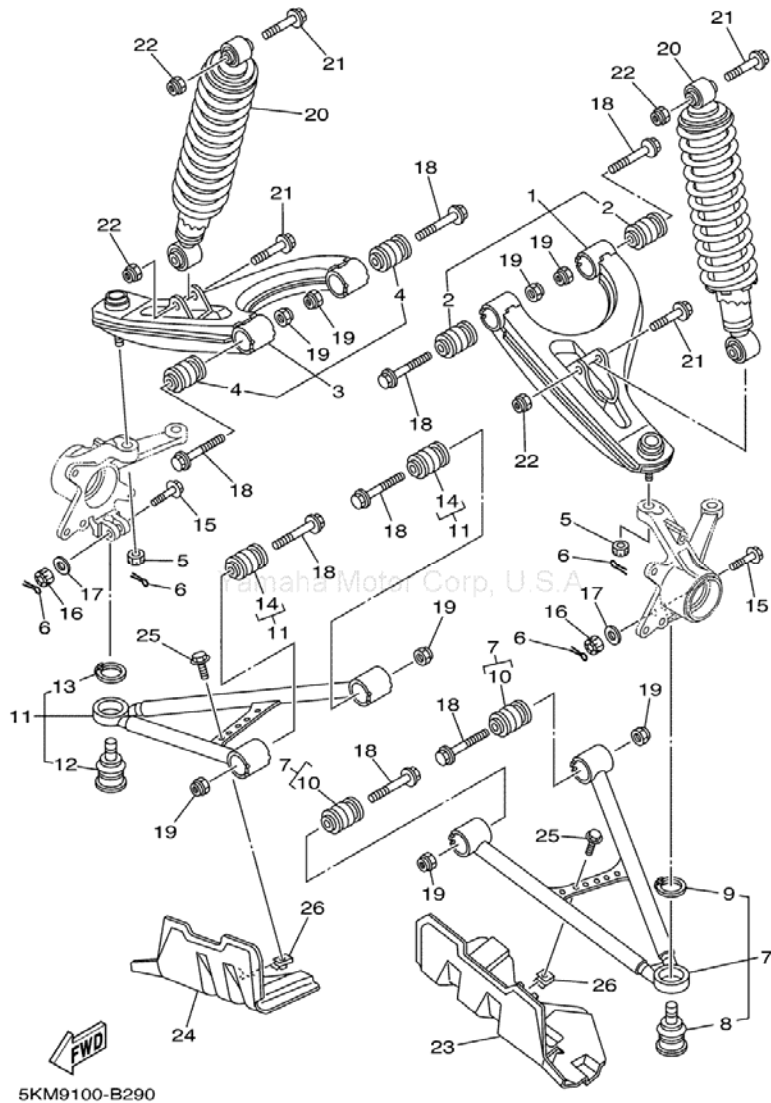
plate 10. hexagon flange bolt M8×14

4.6.2 rear rocker arm



- 1、 rear left-upper rocker arm assembly 2、 middle spacer sleeve of fore L/R rocker arm
- 3、 hexagon flange bolt M10×65 4、 dust-proof cover of rear rocker arm 5、 rear left-upper rocker arm assembly 6、 middle spacer sleeve of fore L/R rocker arm 7、 hexagon flange bolt M10×65 8、 dust-proof cover of rear rocker arm
- 9、 rear left-bottom rocker arm assembly 10、 middle spacer sleeve of fore L/R rocker arm
- 11、 hexagon flange bolt M10×65
- 12、 rear left-bottom rocker arm assembly 13、 middle spacer sleeve of fore L/R rocker arm
- 14、 hexagon flange bolt M10×65
- 15、 hex locknut M10×1.25 16、 cover of rear left-bottom rocker arm 17、 hexagon flange bolt M6×12
- 18、 cover of rear right-bottom rocker arm 19、 hexagon flange bolt M6×12

4.6.3.front Suspension



5KM9100-B290

©1 2005 Yamaha Motor Corporation, U.S.A.

- 1、 fore upper-left rocker arm
- 2、 middle spacer sleeve of fore L/R rocker arm
- 3、 fore upper-right rocker arm assembly
- 4、 middle spacer sleeve of rocker arm
- 5、 open-groove nut M10
- 6、 cotter pin 3.2×32
- 7、 fore bottom-left rocker arm assembly
- 8、 fore bottom velocity joint assembly

9、stopper elastic ring for shaft 10、middle spacer sleeve of fore L/R rocker arm 11、fore bottom-right rocker arm 12、fore bottom velocity joint assembly

13、stopper elastic ring for shaft 14、middle spacer sleeve for security 15、hexagon flange bolt M10×40 16、hex locknut

17、elastic cushion 18、hexagon flange bolt M10×65 19、hex locknut M10×1.25

20、fore L/R damper 21、hexagon flange bolt M10×50 22、hex locknut M10×1.25

23、cover of fore bottom-left rocker arm 24、cover of fore bottom-right rocker arm 25、hexagon flange bolt M6×12 26、holding plate nutM6

4.6.4 Disassembly, Maintenance and Assembly of up-and-down rocker arm 1、Disassembly and Maintenance

Collar Sheath,cotter pin and damper may easy to occur problem.

A、 If the L/R rocker arms swing easily, we can test it from the following aspects:whether the collar sheath is defective by pressuer and whether the Rubber Sheath is worn out or cracked

B、 Check whether the cotter pin is reliable.If not so ,replace it.

C 、 The main problems and homologous maintenance are as following:check whether the spring is split or the oil will spill out in which case the damper muse be replaced and test if the oil bowl is excellent without damage in different circumstances.

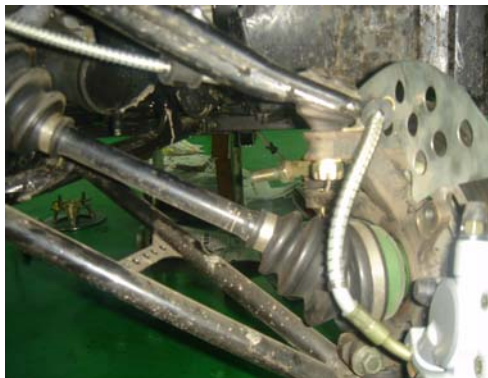
2、 Disassembly(as the following picture)

Mount fore L/R damper,up-and-down rocker arm assembly onto the

frame with Hexagon Flange Bolt M10×65 (8pcs), M10 nuts (8pcs), Hexagon Flange Bolt M10×50 (4pcs) and M10 locknuts (4pcs) to ensure a torque of 40 ~ 45Nm.

Caution: A: These components should be greased with butter before assembly.

B: The surface of components can not be cracked.



Check whether these components are greased with butter and then tighten the up-and-down rocker arm assembly and L/R fore dampers and their components. Fix the L/R tension rods into hole by way of the trough of open-groove nut with cotter pin (4 pcs), and make these tension rods bisect on feet.



4.6.5. Inspection and Maintenance of rear Suspension

1. Inspection and Maintenance are similar to the fore Suspension
2. Check whether the assemble shaft of the rear damper is deformed in which case it must be changed.
3. Check the Collar Sheath and Rubber Sheath
4. Check if the cotter pin on the assembly shaft of the rear damper is reliable.

Caution:

Disassemble rear damper and check if the damper and the connecting hole is bent or cracked. In case of above defects, call for professional staff or replace the damper and then tighten the bolt (Note: self-lock nut is necessary and the torque must be at a range of 45 ~ 55 N.m)

5. Electrical system

Route color indication

- | | |
|----------------------|----------------------|
| 1.Black□□ B | 18.Blue White□□L/W |
| 2.Red□□ R | 19.Blue Black□□L/B |
| 3.Yellow□□ Y | 20.Red Black□□R/B |
| 4.Green□□G | 21.Red White□□R/W |
| 5.Orange□□O | 22.Green White□□G/W |
| 6.White□□W | 23.Brown White□□Br/W |
| 7.Gray□□Gr | 24.Brown Blue□□ Br/L |
| 8.Blue□□L | 25.Red Brown□□R/Br |
| 9.Brown□□Br | 26.Yellow Red□□Y/R |
| 10.Dark Green□□Dg | 27.Green Red□□G/R |
| 11.Dark Red□□Dr | 28.Green Black□□G/B |
| 12.White Green□□W/G | 29.Black White□□B/W |
| 13.White Red□□W/R | 30.White Blue□□W/L |
| 14.White Black□□W/B | 31.Yellow White□□Y/W |
| 15.Light Blue□□Lb | 32.Green Blue□□G/L |
| 16.Light Green□□Lg | 33.Purple□□V |
| 17.Black Yellow□□B/Y | |

Troubleshooting and repair

No electrification : 1. First, Check the safety.

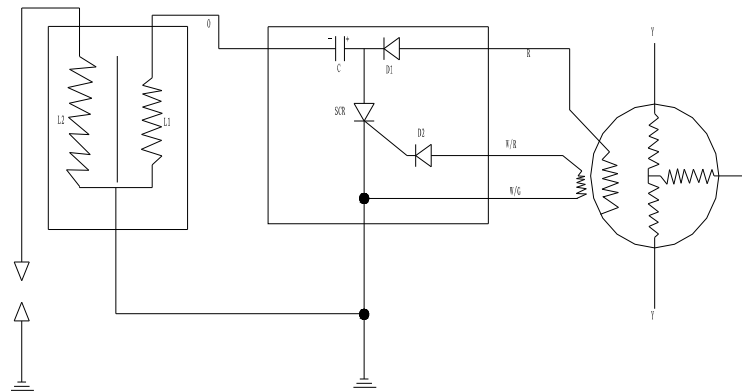
2. Second, if the safety is good, then check the battery whether it is power on.

3. Finally, check the switch lock and electric route, whether they are bad.

Other troubleshooting and causations as follows

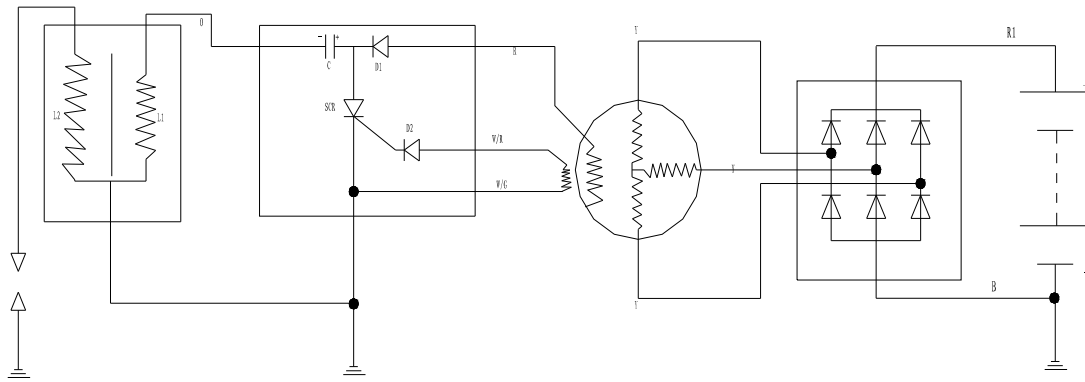
	phenomena	cause	measure	remark
ignition system	1 ,no spark	1.switch lock <input type="checkbox"/> carve out a way or short circuit,connection badness <input type="checkbox"/> line bonding badness 2.CDI set <input type="checkbox"/> After electrify no noise from the CDI 3.high voltage <input type="checkbox"/> high voltage lead insulated badness <input type="checkbox"/> high voltage lead carve out a way or short circuit 4. magneto <input type="checkbox"/> signal loop and charge loop carve out a way or short circuit	<input type="checkbox"/> repair <input type="checkbox"/> repair <input type="checkbox"/> replace <input type="checkbox"/> repalce <input type="checkbox"/> repalce <input type="checkbox"/> repalce	
	2 . spark weak or sparkover intermittence	1. spark plug <input type="checkbox"/> pollute or wear intermittence 2. high voltage bag <input type="checkbox"/> high voltage lead wire insulated badness	<input type="checkbox"/> repalce <input type="checkbox"/> replace	
electrification system	1,discharge self 2, uncharge or shortage-charge	1. cover polluted or drenched by rain 1.carve out a way or short circuit, caused by connected wire badness 2.rectifier damaged 3.baterry <input type="checkbox"/> lower-electrolyte <input type="checkbox"/> electrode failure	<input type="checkbox"/> water-proof,keep clean of the cover and repalce electrolyte <input type="checkbox"/> repair <input type="checkbox"/> repalce <input type="checkbox"/> entered distilled water <input type="checkbox"/> replace	
	1 . flash not bright or weak 2 , horn sound improperly	1. the switch of flash lamp or emergency light contacted badness 2. lamp <input type="checkbox"/> filament of lamp damaged <input type="checkbox"/> the watt of lamp larger or smaller than regulated number 3.routing <input type="checkbox"/> lead wire carve out a way or short circuit 1. horn	<input type="checkbox"/> repair or replace <input type="checkbox"/> replace <input type="checkbox"/> replace <input type="checkbox"/> repair or repalce	

5.1 ignition system



The key diagram of ignition elements ignition elements:

Ignition pressure provided by magneto ignition coil through diode commutated, by R (red line) input CDI (capacitance discharge ignition), charge to capacitance C. at the same time, spring coil produce spring signal, provided to SCR as the turnon spring signal, when reaching the ignition timing, SCR turnon capacitance began to discharge at the elementary coil L1 caused instant lower pressure, while at the secondary coil caused induce pressure. its instant pressure up to 10000V, sparkover at the clearance of sparkplug (0.6mm). so the engine ignited charge system



The key diagram of charge elements

5.2 magneto and charge system

the elements of charge:

When the engine running, driven magnet rotor circumscribe, so on the stator coil produce alternating current then induce electromotive force come into to being the pressure. Through 3 lines Y (yellow) output into the rectifier, through rectifier into direct current pressure and output through R1 to charge the battery.

5.3 Battery

Under the following problems, please change the battery

1. With long time charge but the pressure do not increase to a set value.
2. At the bottom of case there is something dirty or electrode have become white or the case with a sulfate function
3. Electrode former scratched or scratched by press or insulation without work.

Pay attention when using

1. Long time out of using but without charge is not correct.
2. Too much charge (so long time charge is not correct, generally if battery empty, the normal charge time hours)
3. Do not charge under a much higher pressure or electric current
4. Keep battery at a low temperature and dry place
5. Charge battery before fix it.

If battery without electrolyte, it may cause the rectifier damaged.

And the electrolyte is venomous and dangerous. As it contains vitriol it may cause burn accident. Battery also contains explode gas, so keep it far away spark and flame and cigarette.

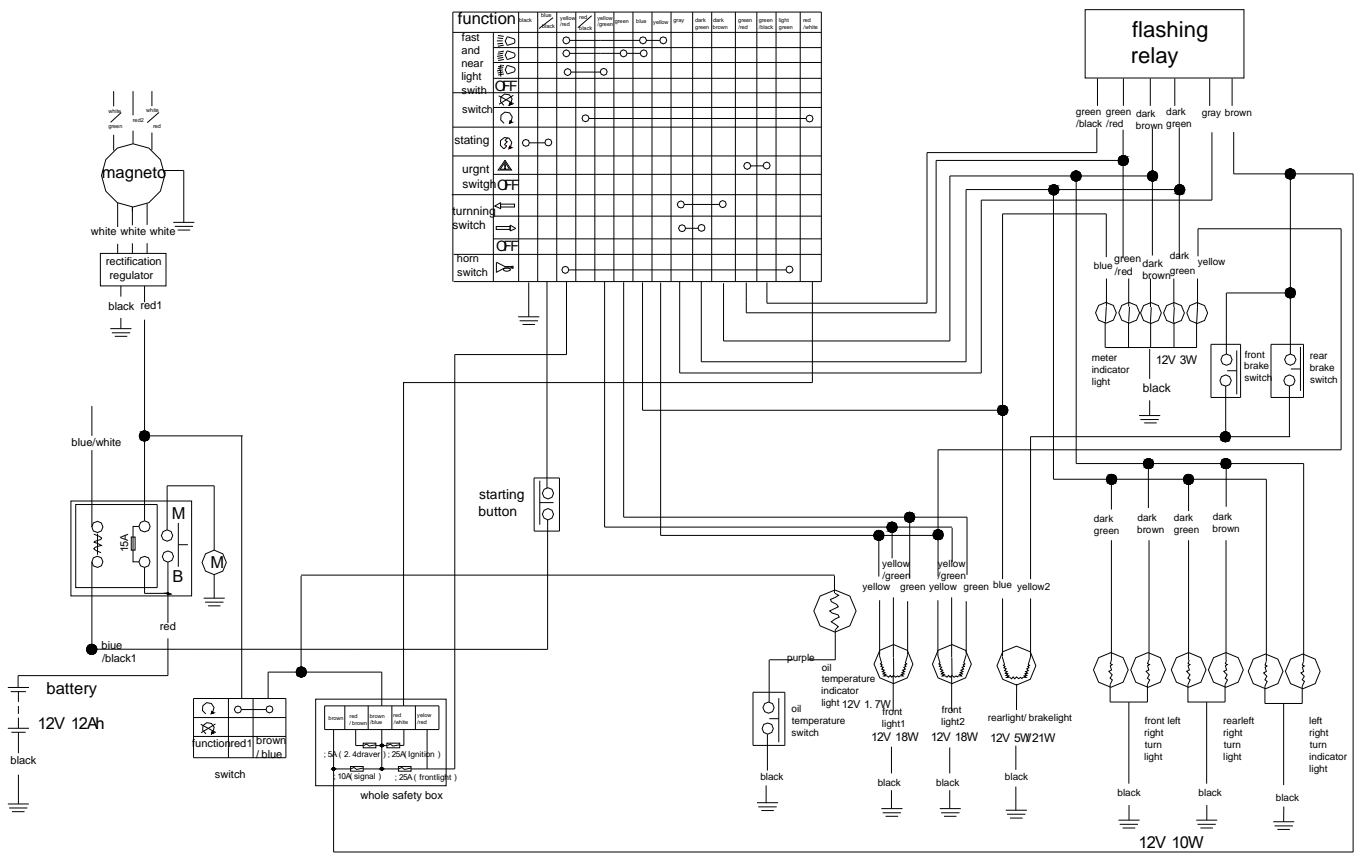
When charge or using in house, keep the air easy floating.

When work near the battery, please take care of your eyes and keep kids away from the battery.

If under such accidents, please deal with it as follows or ask for help from the doctors.

1. Exterior, wash lots of cleaning water
2. Interior, drink milk or water and then milk of magnesia or egg or rap oil and hospitalize as soon as possible.
3. Eyes, wash cleaning water at least 15 minutes and hospitalize as soon as possible.

5.4: Lighting system



the key diagram of illumination system

5.5 Meter and signal system




: Operation and working way :

1、 Headlight


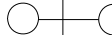
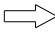

Headlight Switch

function	yellow / red	yellow	green


2、 Emergency light switch

function	green /red	green /black
		
		


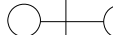

3、 Turing light switch



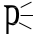

function	gray	nigger brown	dark green
			
			
OFF			

When using this function, left and right turning lights will shine at the same time.

Meter  meet an emergency, the lamp is red (do not shine)

4、 Horn Switch

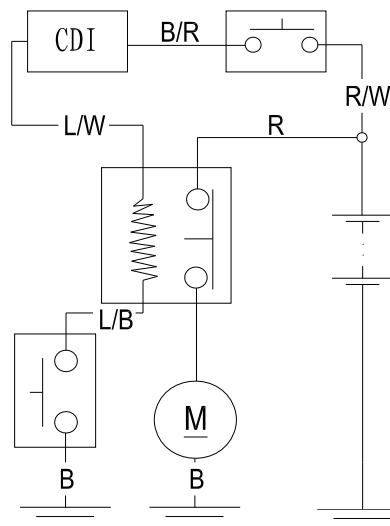
function	yellow /red	light green
		
		

function	yellw /red	blue /white	biue
			
			
OFF			

When press the button, the horn will move. But if without sound or with unclear sound or with little sound please check the problem according to the guide

5.6 : Electrical starting system

Starting Circuit



Starting system working process

Turn on the start switch on the left handlebar, the battery can supply power for the CDI. Then the CDI supply power for the startor relay, then the power from the battery can be sent to the startor motor through the startor relay and the startor motor works help the engine to work.

Note:

1. When electrical starting, please keep the battery with enough power and the time of pressing button will be within 55 seconds. If longer time more than 5 seconds, it may cause the damage of startor relay and the startor relay motor and may also cause the damage of the battery that it can not be charged or not charge enough.
2. When starting, if heard some noises from the startor relay, the battery must be without enough power. Please stop starting and change a powerful battery or charge for it.
3. If the startor motor can not work normally, please check according to the 2 rule to see if it is not lubricated enough

6. Appendix

6.1 Specification

6.1.1 Table of specification

a) Specification of vehicle

Overall length	2250mm
Overall width	1210mm
Overall height	1225mm
Wheel base	1365mm
Wheel gauge	900mm
Ground clearance	260mm
Seat height	930mm
Mini. turning radius	2000mm
Suspension	Front : Hydraulic spring swing arm Rear : Hydraulic spring swing arm
Braking pattern (Normal condition)	Front dual disk, Rear single disk/front and rear linkage, Right foot/left hand operation
Braking pattern Primary Brake (1) : (E-mark)	Front dual disk, Rear single disk/front and rear linkage, right foot/right hand operation
Primary Brake (2) :	Front dual disk, Rear single disk/front and rear linkage, right foot/right hand operation
Emergency brake :	hand operation
Parking brake :	Engine/ hand operation , Gear shift handle
Wheel Hub	Front : Alloy/ Steel wheels Rear : Alloy/ Steel wheels
Tire dimension	Front 25x8-12 (Vacuum Tire)

	Rear 25x10-12 (Vacuum Tire)
Tire pressure	Front 35kpa
	Rear 35kpa
Fuel tank Vol.	17L±0.1L
Dry weight	319kg
Max. loading weight	180kg
G.V.W.R	509kg
Max. loading weight (Hitch) :	100kg(EMARK)
Total weight(including hitch) :	609kg(EMARK)

b) Engine specification

Engine Model/Brand	HS1102MU/ HSUN
Pattern	Single cylinder, water cool, dual exhaust, four stroke
Bore×Stroke	102mm×84mm
Compression Ratio	9.2:1
Volume	686ml
Max. power	25kW (5000r/min- 5500r/min)
Max. power (E-mark)	13kW (5500r/min)
Rated power	24kW (6000r/min-6500r/min)
Max. Torque	49N·m (5000r/min)
Max. Torque (E-mark)	27.5N·m (4500r/min)
Mini. Idle speed	1400±100r/min
Fuel type	Unlead #90
Lubrication	Pressure Splash
Starting system	Electric Start and hand recoil start
Ignition	C.D.I
Drive train	Axle

Transmission	CVT
	Belt drive ratio : 5.0695 ~ 0.7679
	L Drive ratio : 5.3595 (30/17×41/21×24/18)
	H Drive ratio : 3.2230 (26/21×41/21×24/18)
	R Drive ratio : 3.8282 (25/17×41/21×24/18)
	Engine Drive ratio : 16.339 ~ 2.475
Clutch	Wet automatic centrifugation
Lubrication (Crankcase)	Comply with GB11121-1995 standard. Depending on regional weather condition, choose either SAE 5W-40 or SAE 10W-30 (Cold region) SAE.20W-40 (Warm region)
Oil capacity	1.9L
Engine dry weight	71kg

c) Components Specification

Carburetor	PD42J
Pattern	Parallel Vacuum
Spark plug	DR8EA
Speed meter	Electronic
Battery	12V 21Ah
Headlight	12V 35W/35W White light
Front Indicator	12V 3W White light
Rear Indicator	12V 5W Red light

Brake light	12V 21W	Red light
Rear license plate light	12V 5W	White light
Turning light	12V 10W	Amber light
Rear reflector		Red light

d) Other specification

Turning operation system	Hand operating steering bar
Driving method	Two wheel/ four wheel drive (2W means two wheel drive, 4W means four wheel drive)
Rocker arms	Front and Rear dual rocker arms
Parking brake	Mechanical
Frame	Steel pipe
Magneto	Rotate DC output
Spark plug gap	0.6-0.7 mm
Safety fuse	30A

6.1.2 Performance Requirement

a) Starting Performance

Starting time must be less than 15s

b) Accelerating Performance

Starting acceleration performance must be less than 14s/200m,,and overtaking acceleration performance must be less than 13s/200m.

c) curb-top speed

Crest speed must be less than 90km/h(the Crest speed of E-mark must be less than 80km/h)

d) grade climbing

Climbing capacity must be greater than 30°

e) minimum specific fuel consumption

minimum specific fuel consumption should be less than 340g/Kw·h

f) reliability

The reliable travelled distance is 6000km. It may be tested by GB/T 5374-1995

g) durability

The durability distance travelled is 16000km, It may be tested by GB/T 5374-1995

h) emission

The emission limit must be conform to GB 14621-2002 and GB 14622-2002

a) idle emissions

$CO \leq 3.8\%$, $HC \leq 800$ ppm

b) mode emissions

$CO \leq 7.0$ g/km , $HC \leq 1.5$ g/km , $NO_x \leq 0.4$ g/km

i) deceleration and stopping performance

a) braking distance : ≤ 27 m (starting velocity is 60km/h)

b) braking deceleration must be greater than 5.88 m/s²

j) noise

The aon running noise must be less than 79dB (A).

Static noise is 94dB (A), and the engine speed is 2750min⁻².

k) radio-frequency interference

The allowable radiation , the loss of suppress of ignition system and the radio-frequency interference must be conform to GB 14023-2006.

l) parking performance

When using the parking brake on neutral, the parking brake system must enable the vehicle motionless in both straight and reverse at a grade way of

which the grade of slope is 18% and the adhesion coefficient between tire and road must be greater than 0.7.

m) antisway angle

o

The greatest antisway angle to the left and right at unladen or motionless must be greater than 25°.

n)

distance headlamp performance:

p).

The dune buggy must be equipped with distance headlamps that conform to GB 5948-1998 or GB 4599-94.

q). The main beam intensity of distance headlamp must reach a degree of 8000cd.

6.2 Requirements for torque of fastener

fastening parts	(N.m) torque
pillar	35 ~ 45
nut on chain stay	45 ~ 50
Upper nut on fore damper	35 ~ 45
bottom nut on fore damper	35 ~ 45
Upper nut on rear damper	45 ~ 55
bottom nut on rear damper	45 ~ 55
Nut on upper rocker arm of the left	40 ~ 50
Nut on bottom rocker arm of the left	40 ~ 50
Nut on upper rocker arm of the	40 ~ 50

right	
Nut on bottomr rocker arm of the right	40 ~ 50
Suspension nut	35 ~ 45
Nut connecting chain stay and rocker support	40 ~ 50
Nut on fore wheel	45 ~ 55
Nut on rear wheel	45 ~ 50

6.3 Electrical circuits

the characteristic of the electrical circuits,

- 1.Actualize the electrial starting when it is at N,parking and brake.
- 2.When it is in the H gear,the H gear switch of the engine is on the ground,the H gear is lighting by the CDI inner transistor to control the dash light earth connection.
- 3.The function of the diode in this circuitry is that after parking and brake to actualize the electrial starting .
- 4.The relay electrical source,to provide the electricity through the CDI working,it can protect the relay and to extend the useful time.
- 5.Use the pan- fuse box,each operating circuit is working independence,and easy to service,there is no connect with the inner cable and the functional line,it is hard to emerge the dummy section.

